

**PLEASE CHECK WWW.MOLEX.COM FOR LATEST PART INFORMATION**

**Part Number:** [0986581223](#)  
**Status:** **Active**  
**Overview:** [mox crimp terminals](#)  
**Description:** MOX Crimp Terminal, Female, 0.635mm (.025"), 20-24 AWG (0.22-0.50mm<sup>2</sup>), Reel, Selective Gold

**Documents:**

[Packaging Specification \(PDF\)](#)                      [RoHS Certificate of Compliance \(PDF\)](#)  
[Drawing \(PDF\)](#)

**General**

Product Family	Crimp Terminals
Series	<a href="#">98658</a>
Comments	Terminal has Stainless Steel Sleeve
Crimp Quality Equipment	Yes
Overview	<a href="#">mox crimp terminals</a>
Product Name	MOX

**Physical**

Durability (mating cycles max)	20
Gender	Female
Material - Metal	Copper-Nickel-Silicon, Stainless Steel
Material - Plating Mating	Gold
Material - Plating Termination	Tin
Packaging Type	Reel
Plating min: Mating (µin)	16.00
Plating min: Mating (µm)	0.40
Plating min: Termination (µin)	40.00
Plating min: Termination (µm)	1.00
Termination Interface: Style	Crimp or Compression
Wire Insulation Diameter	1.20-1.50mm (.047-.059")
Wire Size AWG	N/A
Wire Size mm <sup>2</sup>	0.22 TO 0.50

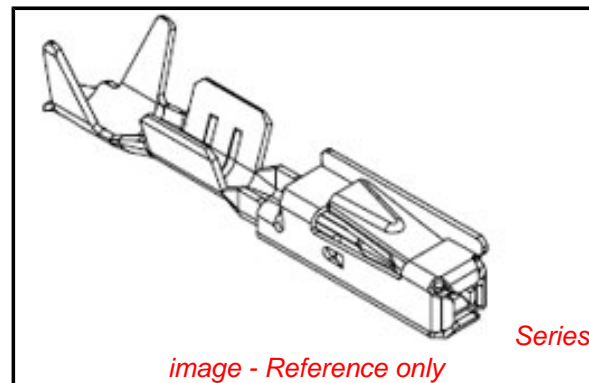
**Electrical**

Current - Maximum per Contact	7.5A
-------------------------------	------

**Material Info**

**Reference - Drawing Numbers**

Packaging Specification	PK-98658-006
Sales Drawing	SD-98658-004



*image - Reference only*

**EU RoHS**

**ELV and RoHS Compliant**  
**REACH SVHC Contains SVHC: No**  
**Halogen-Free Status**

**China RoHS**



**Need more information on product environmental compliance?**

Email [productcompliance@molex.com](mailto:productcompliance@molex.com)  
 For a multiple part number RoHS Certificate of Compliance, [click here](#)

Please visit the [Contact Us](#) section for any non-product compliance questions.

**Search Parts in this Series**

[98658Series](#)

**Use With**

all 0.635mm (.025") MOX Housings

**Application Tooling | [FAQ](#)**

*Tooling specifications and manuals are found by selecting the products below. Crimp Height Specifications are then contained in the Application Tooling Specification document.*

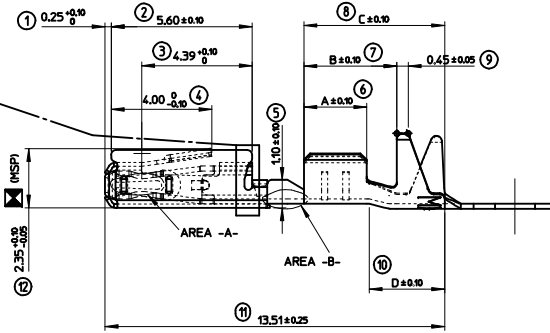
**Global**

Description	Product #
Extractor Tool for 2.8mm Crimp Terminals	<a href="#">0638136900</a>
Extractor Tool for 2.8mm Crimp Terminals	<a href="#">0638137000</a>
FineAdjust™ Applicator	<a href="#">0638666100</a>
Hand Crimp Tool	<a href="#">0638119300</a>
MOX Extraction Tool	<a href="#">0638132600</a>

This document was generated on 05/31/2010

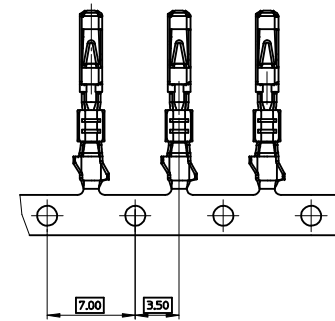
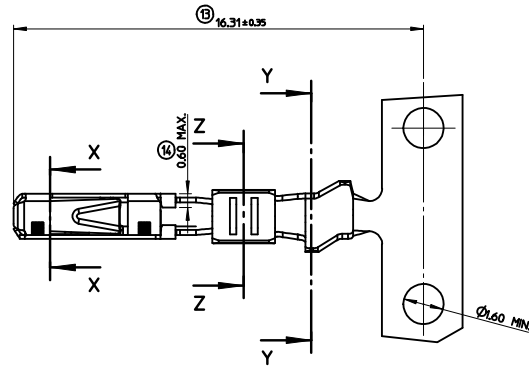
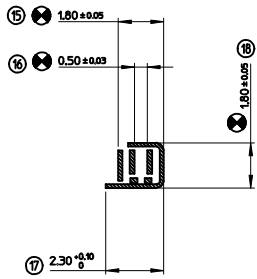
**PLEASE CHECK [WWW.MOLEX.COM](http://WWW.MOLEX.COM) FOR LATEST PART INFORMATION**

FORME ADMISE  
ALLOWED VERSION

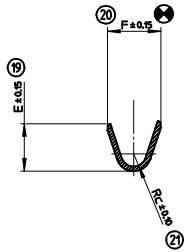


MOLEX REFERENCE	AREA -A- ( GAP AREA )	AREA -B-	CRIMPING AREA	Wire size range	Longueur Length	Serrisage Wire Crimp	Conducteur Insulation Crimp	Serrisage Isolant Insulation Crimp	Poids Weight
TIN PLATED VERSION	096581211		HOT TIN DP Sn = 1.0 to 3.0 µm						
GOLD PLATED VERSION	096581221	Au= 0.4 µm MIN. Ni= 1.0 µm MIN.		Sn = 1.0 to 5.0 µm MIN. Ni = 1.0 µm MIN.	0.22 to 0.60 mm <sup>2</sup>	A-250 B-370 C-560 D-300	E-190 F-240 Rc-050	G-290 H-280 Ri-080	
GOLD PLATED VERSION	096581231	Au= 0.4 µm MIN. Ni= 1.0 µm MIN.	Au= 0.4 µm MIN. Ni= 1.0 µm MIN.	Sn = 1.0 to 5.0 µm MIN. Ni = 1.0 µm MIN.					
TIN PLATED VERSION	096581212		HOT TIN DP Sn = 1.0 to 3.0 µm						
GOLD PLATED VERSION	096581222	Au= 0.4 µm MIN. Ni= 1.0 µm MIN.		Sn = 1.0 to 5.0 µm MIN. Ni = 1.0 µm MIN.	0.75 mm <sup>2</sup>	A-280 B-370 C-560 D-270	E-225 F-225 Rc-050	G-290 H-280 Ri-080	0.6000 g
GOLD PLATED VERSION	096581232	Au= 0.4 µm MIN. Ni= 1.0 µm MIN.	Au= 0.4 µm MIN. Ni= 1.0 µm MIN.	Sn = 1.0 to 5.0 µm MIN. Ni = 1.0 µm MIN.					
TIN PLATED VERSION	096581213		HOT TIN DP Sn = 1.0 to 3.0 µm						
GOLD PLATED VERSION	096581223	Au= 0.4 µm MIN. Ni= 1.0 µm MIN.		Sn = 1.0 to 5.0 µm MIN. Ni = 1.0 µm MIN.	0.22 to 0.50 mm <sup>2</sup>	A-250 B-370 C-560 D-300	E-180 F-180 Rc-040	G-230 H-230 Ri-070	
GOLD PLATED VERSION	096581233	Au= 0.4 µm MIN. Ni= 1.0 µm MIN.	Au= 0.4 µm MIN. Ni= 1.0 µm MIN.	Sn = 1.0 to 5.0 µm MIN. Ni = 1.0 µm MIN.					

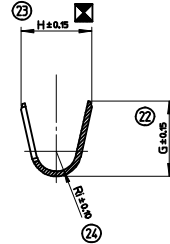
X-X



Z-Z



Y-Y



NOTE:

- MATERIAL: CONTACT BODY: HIGH CONDUCTIVE COPPER ALLOY.  
SLEEVE: STAINLESS STEEL.
- PACKAGING SPECIFICATION: PK-98658-006.
- CRIMPING PARAMETERS AND CRIMPING TOOL DEFINITION: SEE CS-98658-001.

INDICATION DIMENSIONS S.P.C  
 DENOTES S.P.C DIMENSIONS  
 INDICATION DIMENSIONS DETERMINANT LES  
 CAPACITES MACHINE  
 DENOTES DIMENSIONS DETERMINING THE  
 MACHINE'S ABILITIES  
 INDICATION DIMENSIONS FONCTIONNELLES  
 DENOTES FUNCTIONAL DIMENSIONS  
 QUANTITE PAR FEUILLE INDIVIDUELLE  
 QUANTITY PER INDIVIDUAL SHEET  
 - 2     - 4     - 0

CHANGED DR. E & F FOR 0.5 mm EC NO: GZ008-0492 DRAWING: GRANDCL 2008/12/04 CHKD: MANDRE 2008/12/02 APPR: LSTLEKER 2008/12/08	GENERAL TOLERANCES (UNLESS SPECIFIED)	DIMENSION STYLE <b>MM ONLY</b>	SCALE <b>10:1</b>	DESIGN UNITS <b>METRIC</b>	<input checked="" type="checkbox"/> FIRST ANGLE PROJECTION	
	4 PLACES ± --- ± --- 3 PLACES ± --- ± --- 2 PLACES ± 0. ± --- 1 PLACE ± 0. ± ---	mm    INCH ± ---    ± --- ± ---    ± --- ± 0.    ± --- ± 0.    ± ---	DRAWN BY    DATE JTAMSSON    1998/06/01	TITLE <b>MOX 0.63 TERMINAL          RECEPTACLE TERMINAL          GENERIC CONTROL DRAWING</b>		
	ANGULAR ± 1/2°	APPROVED BY    DATE CBOUCHAN    1999/10/14	MOLEX INCORPORATED			
	DRAFT WHERE APPLICABLE MUST REMAIN WITHIN DIMENSIONS	MATERIAL NO. <b>SEE CHART</b>	DOCUMENT NO. <b>SD-98658-004</b>	SHEET NO. <b>1 OF 1</b>		

THIS DRAWING CONTAINS INFORMATION THAT IS PROPRIETARY TO MOLEX  
 INCORPORATED AND SHOULD NOT BE USED WITHOUT WRITTEN PERMISSION