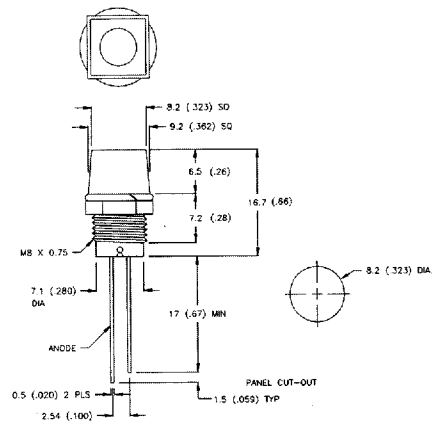


**SSI-LXR952 SERIES 8.2mm SQUARE LENS LED INDICATORS**

FEATURES		APPLICATIONS		MATERIAL SPECIFICATIONS		
<ul style="list-style-type: none"> <li>• Easy Panel Installation</li> <li>• Choice of Colors</li> <li>• Lead Lengths Optional</li> </ul>		<ul style="list-style-type: none"> <li>• Panel Indicators</li> <li>• Fault Annunciator</li> <li>• Voltage Indicator</li> </ul>		<ul style="list-style-type: none"> <li>• Holder: Acrylic Holder</li> <li>• Termination: 0.5 □ Lead Pins</li> <li>• Installation: 5/16" Panel Hole</li> </ul>		
LUMEX PART NBR	EMITTED COLOR	OPERATING CURRENT (mA)	OPERATING TYP Volts (V)	BRIGHTNESS TYP (mCD) @	LED SERIES USED	
SSI-LXR952ID	RED	635	10-25	2.1	15 20	SSL-LX5093XX
SSI-LXR952SRD	RED	660	10-25	1.7	70 20	SSL-LX5093XX
SSI-LXR952GD	GREEN	565	10-25	2.1	15 20	SSL-LX5093XX
SSI-LXR952YD	YELLOW	585	10-25	2.1	15 20	SSL-LX5093XX
<b>FIXED VOLTAGE OPTIONS (5VDC)</b>						
SSI-LXR952ID-5V	RED	635	16	4-6	15 20	SSL-LX5093XX
SSI-LXR952GD-5V	GREEN	565	16	4-6	15 20	SSL-LX5093XX
SSI-LXR952YD-5V	YELLOW	585	16	4-6	15 20	SSL-LX5093XX
<b>FIXED VOLTAGE OPTIONS (12-14V DC)</b>						
SSI-LXR952ID-14V	RED	635	16	12-14	15 20	SSL-LX5093XX
SSI-LXR952GD-14V	GREEN	565	16	12-14	15 20	SSL-LX5093XX
SSI-LXR952YD-14V	YELLOW	585	16	12-14	15 20	SSL-LX5093XX

See pages 8 -14 for Max.operating limits and operating curves

DIMENSIONS (mm/inch) ±.2mm

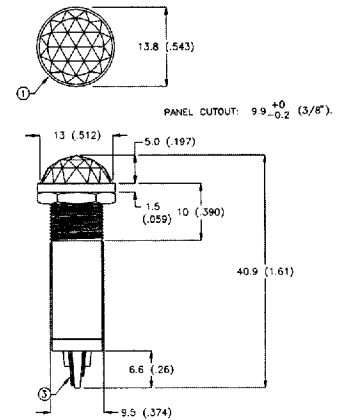


**SSI-LXN730 SERIES 13mm ROUND DIAMOND CUT LENS LED IND.**

FEATURES		APPLICATIONS		MATERIAL SPECIFICATIONS		
<ul style="list-style-type: none"> <li>• Easy Panel Installation</li> <li>• Diamond Cut Lens</li> <li>• Choice of Colors</li> <li>• Insulated Leads (Optional)</li> </ul>		<ul style="list-style-type: none"> <li>• Panel Indicators</li> <li>• Fault Annunciator</li> <li>• Voltage Indicator</li> </ul>		<ul style="list-style-type: none"> <li>• Holder: Acrylic</li> <li>• Termination: Solder On</li> <li>• Installation: 3/8" Panel Hole</li> </ul>		
LUMEX PART NBR	EMITTED COLOR	OPERATING CURRENT (mA)	OPERATING TYP Volts (V)	BRIGHTNESS TYP (mCD) @	LED SERIES USED	
SSI-LXN730ID	RED	635	10-25	2.1	15 20	SSL-LX5093XX
SSI-LXN730SRD	RED	660	10-25	1.7	70 20	SSL-LX5093XX
SSI-LXN730GD	GREEN	565	10-25	2.1	15 20	SSL-LX5093XX
SSI-LXN730YD	YELLOW	585	10-25	2.1	15 20	SSL-LX5093XX
<b>FIXED VOLTAGE OPTIONS (5VDC)</b>						
SSI-LXN730ID-5V	RED	635	16	4-6	15 20	SSL-LX5093XX
SSI-LXN730GD-5V	GREEN	565	16	4-6	15 20	SSL-LX5093XX
SSI-LXN730YD-5V	YELLOW	585	16	4-6	15 20	SSL-LX5093XX
<b>FIXED VOLTAGE OPTIONS (12-14V DC)</b>						
SSI-LXN730ID-14V	RED	635	16	12-14	15 20	SSL-LX5093XX
SSI-LXN730GD-14V	GREEN	565	16	12-14	15 20	SSL-LX5093XX
SSI-LXN730YD-14V	YELLOW	585	16	12-14	15 20	SSL-LX5093XX

See pages 8 -14 for Max.operating limits and operating curves

DIMENSIONS (mm/inch) ±.2mm



**SSI-LXR960 SERIES 16.0mm SQUARE LENS LED INDICATORS**

FEATURES		APPLICATIONS		MATERIAL SPECIFICATIONS		
<ul style="list-style-type: none"> <li>• Easy Panel Installation</li> <li>• Wide Viewing Angle</li> <li>• Choice of Colors</li> <li>• Insulated Leads (Optional)</li> </ul>		<ul style="list-style-type: none"> <li>• Panel Indicators</li> <li>• Fault Annunciator</li> <li>• Voltage Indicator</li> </ul>		<ul style="list-style-type: none"> <li>• Holder: Polycarbonate</li> <li>• Termination: Solder On Lug</li> <li>• Installation: 5/8" Panel Hole</li> </ul>		
LUMEX PART NBR	EMITTED COLOR	OPERATING CURRENT (mA)	OPERATING TYP Volts (V)	BRIGHTNESS TYP (mCD) @	LED SERIES USED	
SSI-LXR960ID	RED	635	10-25	2.1	15 20	SSL-LX5093XX
SSI-LXR960SRD	RED	660	10-25	1.7	60 20	SSL-LX5093XX
SSI-LXR960GD	GREEN	565	10-25	2.1	15 20	SSL-LX5093XX
SSI-LXR960YD	YELLOW	585	10-25	2.1	15 20	SSL-LX5093XX
<b>FIXED VOLTAGE OPTIONS (5VDC)</b>						
SSI-LXR960ID-5V	RED	635	16 TYP.	4-6	15 20	SSL-LX5093XX
SSI-LXR960GD-5V	GREEN	565	16 TYP.	4-6	15 20	SSL-LX5093XX
SSI-LXR960YD-5V	YELLOW	585	16 TYP.	4-6	15 20	SSL-LX5093XX
<b>FIXED VOLTAGE OPTIONS (12-14V DC)</b>						
SSI-LXR960ID-14V	RED	635	18 TYP.	12-14	15 20	SSL-LX5093XX
SSI-LXR960GD-14V	GREEN	565	18 TYP.	12-14	15 20	SSL-LX5093XX
SSI-LXR960YD-14V	YELLOW	585	18 TYP.	12-14	15 20	SSL-LX5093XX

See pages 8 -14 for Max.operating limits and operating curves

DIMENSIONS (mm/inch) ±.2mm

