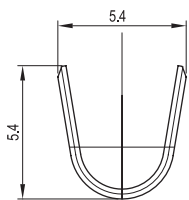
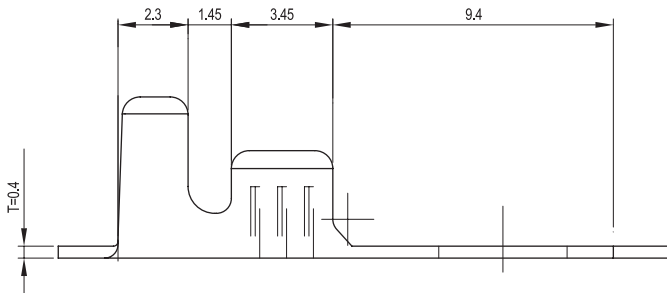
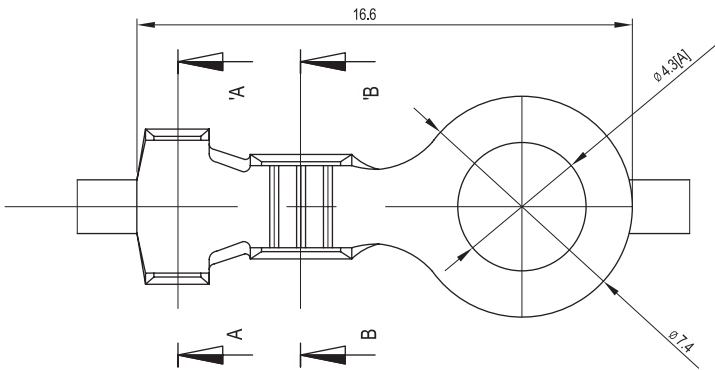
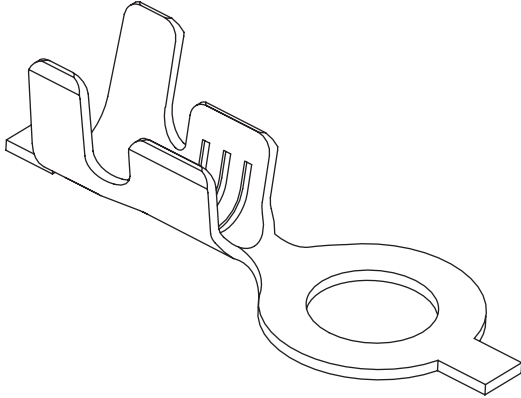


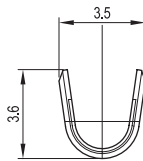
OTHER

Ring Type
Terminal

90017TS Series



SECTION A-A'



SECTION B-B'

Material

I/NO	DESCRIPTION	TITLE	AWG	MATERIAL	FINISH
1	TERMINAL	90017TS	#14~#18	Brass	Tin-Plated

Available Pin

PARTS NO.	Stud [A] Size(mm)	REMARK
90017TS-3200	3.2	00.12.13 Standard
90017TS-3700	3.7	00.12.13 Standard
90017TS-4300	4.3	00.12.13 Standard
90017TS-5100	5.1	00.12.13 Standard
90017TS-5400	5.4	00.12.13 Standard

PARTS NO

90017TS-□□□□

REV. CODE
(00:Standard, 01~99:Buyer Option)

STUD HOLE SIZE

RING TERMINAL
SERIES NAME

Specification

ITEM	SPEC
Voltage Rating	AC/DC 250V
Current Rating	AC/DC 3A
Operating Temperature	-25℃~+85℃
Contact Resistance	30mΩ MAX
Withstanding Voltage	-
Insulation Resistance	-
Applicable Wire	AWG #14~#18
Applicable P.C.B	φ 4.3
Applicable FPC/FFC	-
Solder Height	-
Crimp Tensile Strength	AWG #14 : 4.0kgfMIN AWG #16 : 3.0kgfMIN AWG #18 : 2.0kgfMIN
UL FILE NO	-