

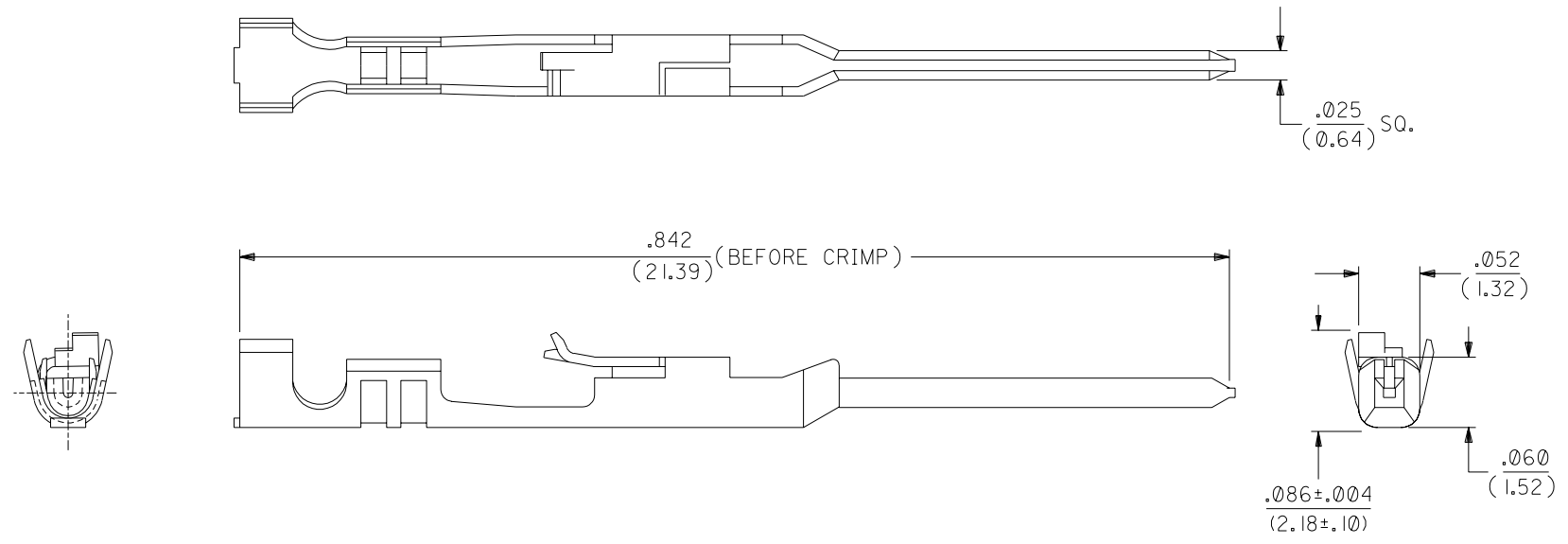
| | |
|---|-------------------|
| FineAdjust™ Applicator for SL™ Male Crimp Terminal, 24-30 AWG | <u>0639003400</u> |
| Insertion Tool | <u>0011020022</u> |
| Extraction Tool | <u>0011030036</u> |

Japan

| Description | Product # |
|---|--|
| Applicator for M211A Bench Press, 22-30 AWG, for 70021 Crimp Terminal Hand Insertion Tool | <u>0570173000</u> <u>0570336000</u> |

This document was generated on 05/18/2010

PLEASE CHECK WWW.MOLEX.COM FOR LATEST PART INFORMATION



NOTES:

1. TERMINAL FOR USE WITH HOUSING PART NO. 70066-**** & 70107-****.
2. MATERIAL: .008/(0.20) THK. PHOSPHOR BRONZE.
3. TERMINAL TO BE USED WITH 24-30 AWG STRANDED WIRE WITH .060 DIA. MAX. INSULATION.
4. REFER TO MOLEX OPERATIONAL AND SERVICE MANUAL FOR DETAILS.
5. REFER TO PRODUCT SPECIFICATION NO. PS-70021.
6. PARTS SUPPLIED IN REEL FORM.

PLATING:

.000150 MIN. TIN PLATE
OVER NICKEL PLATE.

*THE PRIMARY SHIPPING CARTON WILL BE LABELED "COMPLIANT TO RoHS DIRECTIVE 2002/95/EC AND ELV ANNEX II OF DIRECTIVE 2000/53/EC". CARTONS WITHOUT THIS LABEL MAY CONTAIN PRODUCT WITH LEAD.

| | |
|----|--|
| D | LEAD FREE UCP2004-1769 RWHITE 04/03/12 |
| C1 | REVISED ECR #U80270 MCGRATH 97/07/31 |
| C | 164 PLATING WAS 102 PER ECR # U31149 08/16/93 REED |
| B | REDRAWN ON CAD PER E.C.R. #9509 11/10/86 WJF/MJM |

| | | | | |
|------|-----|------|------|-----------|
| MFG. | SH. | REV. | LTR. | REVISIONS |
|------|-----|------|------|-----------|

| | | | | | |
|---|----------------|-------------------------|--|---------------------------|------------|
| DIMENSIONS SHOWN (METRIC) INCH | | ▽ = 0 ▼ = 0 | | REVISE ONLY ON CAD SYSTEM | |
| UNLESS OTHERWISE SPECIFIED TOLERANCES: ANGULAR ± 1/2° | | | | | |
| | | INCH | | METRIC | |
| 3 PLACE | ± .010 | --- | | | |
| 2 PLACE | ± .015 | ± 0.25 | | | |
| 1 PLACE | --- | ± 0.35 | | | |
| DRAFT WHERE APPLICABLE MUST REMAIN WITHIN DIMENSIONS | | | | | |
| TITLE | | TERMINAL, MALE CRIMP | | | |
| MOLEX INCORPORATED LISLE, ILL. 60532 U.S.A. | | SHEET NO. 1 | | DATE 10/30/86 | |
| PART NO. 16-02-0105 | | DRWG. NO. SD-70021-0004 | | | |
| DRWG. BY: WJF | CHK'D. BY: MJM | FILE NAME: S70021X3 DGN | THIS DRAWING CONTAINS INFORMATION THAT IS PROPRIETARY TO MOLEX INC. AND SHOULD NOT BE USED WITHOUT WRITTEN PERMISSION. | | SIZE: DA B |
| APP'D. BY: WAZ | SCALE: 10:1 | | | DIV. DA | |