



PNEUMATIC INDICATOR SERIES VR3100

- ✓ Visible indication of pressure present
- ✓ Available in 3 different colours

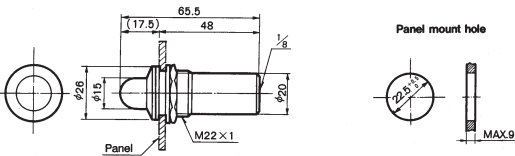
TECHNICAL SPECIFICATIONS

	VR3100-01R	VR3100-01G	VR3100-01O
Operating pressure	0.1-0.8MPa		
Frequency (max)	1.6 Hz		
Colour of indicator	Red	Green	Orange
Port size	1/8"		

SYMBOLS



DIMENSIONS PNEUMATIC INDICATOR



HOW TO ORDER PNEUMATIC INDICATOR

VR3100-01R (Red)
VR3100-01G (Green)
VR3100-01O (Orange)

STOCKED PRODUCTS
FOR A LIST OF STOCKED PRODUCTS,
PLEASE SEE THE CURRENT SMC PRICE LIST

MINIATURE PNEUMATIC INDICATOR SERIES VR3110

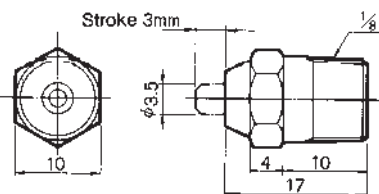
- ✓ Visible indication of air pressure present
- ✓ Available in 2 different colours



SYMBOLS



DIMENSIONS MINIATURE PNEUMATIC INDICATOR



HOW TO ORDER MINIATURE PNEUMATIC INDICATOR

VR3110-01R (Red)
VR3110-01G (Green)

STOCKED PRODUCTS
FOR A LIST OF STOCKED PRODUCTS,
PLEASE SEE THE CURRENT SMC PRICE LIST

TECHNICAL SPECIFICATIONS

	VR3110-01R	VR3110-01G
Color of indicator	Red	Green
Operation	Piston	
Operating pressure	0.15-1.0MPa	
Ambient and fluid temperature	5 - 60°C	
Frequency	MAX. 5C. P.S.	
Port size	R 1/8 male	



SEE INSIDE FRONT COVER FOR
DETAILS OF YOUR LOCAL SALES OFFICE



FOR FURTHER TECHNICAL
DETAILS ON THIS
PRODUCT REQUEST
CATALOGUE REFERENCE
E606

PNEUMATIC ELECTRIC RELAY SERIES VR3200, VR3201

Pneumatic electric relay converts pneumatic signal to electric relay.

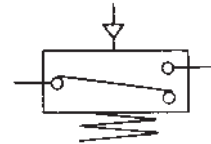


TECHNICAL SPECIFICATIONS

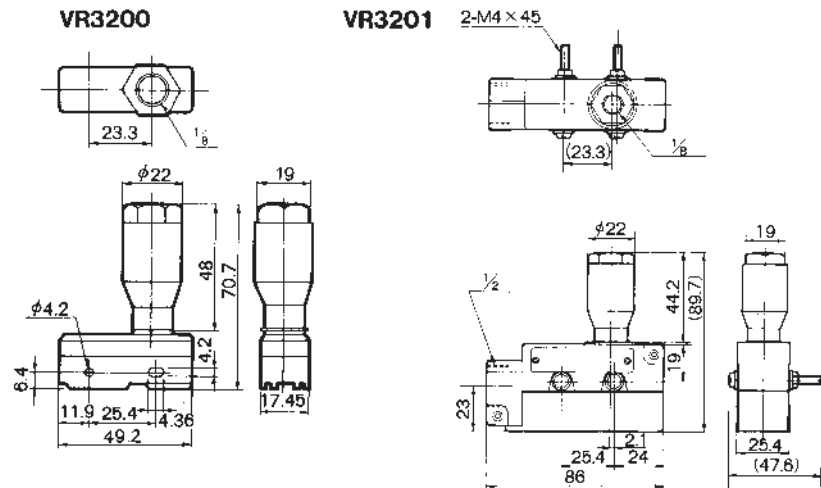
	VR3200-01	VR3201-01
Construction	-	Enclosed terminals
Operating pressure	0.1-1.0MPa	
Contacts	ab 1	
Port size	1/8	

Micro-Switch Rating		
	AC Current	DC Current
Resistance capacity	250V 15A	30V 6A
Induction capacity	250V 15A	30V 5A
Lamp capacity	250V N.C. 2.5A N.O. 1.25A	30V N.C. 3A N.O. 1.5A

SYMBOLS



DIMENSIONS PNEUMATIC ELECTRIC RELAY



HOW TO ORDER PNEUMATIC ELECTRIC RELAY

VR3200-01
VR3201-01 (Enclosed terminals)

STOCKED PRODUCTS
FOR A LIST OF STOCKED PRODUCTS,
PLEASE SEE THE CURRENT SMC PRICE LIST

