

SINGLE-CHIP 8-BIT MICROCONTROLLER

GENERAL DESCRIPTION

The MAB80XXH family of single-chip 8-bit microcontrollers is fabricated in NMOS. Three interchangeable (pin compatible) versions are available:

- MAB8048H: 1 K bytes mask-programmed ROM, 64 bytes RAM
- MAB8035HL: ROM-less version of the MAB8048H
- MAB8049H: 2 K bytes mask-programmed ROM, 128 bytes RAM
- MAB8039HL: ROM-less version of the MAB8049H
- MAB8050H: 4 K bytes mask-programmed ROM, 256 bytes RAM
- MAB8040HL: ROM-less version of the MAB8050H

These microcontrollers are designed to be efficient control processors as well as arithmetic processors. Their instruction set allows the user to directly set and reset individual I/O lines as well as test individual bits within the accumulator. A large variety of branch and table look-up instructions enable efficient implementation of standard logic functions. Code efficiency is high; over 70% of the instructions are single byte; all others are two byte.

An on-chip 8-bit counter is provided, which can count either machine cycles (± 32) or external events. The counter can be used to generate an interrupt to the processor.

Program and data memories plus input/output capabilities can be expanded using standard TTL compatible memories and logic. For more detailed information see the 8048 family specification.

Features

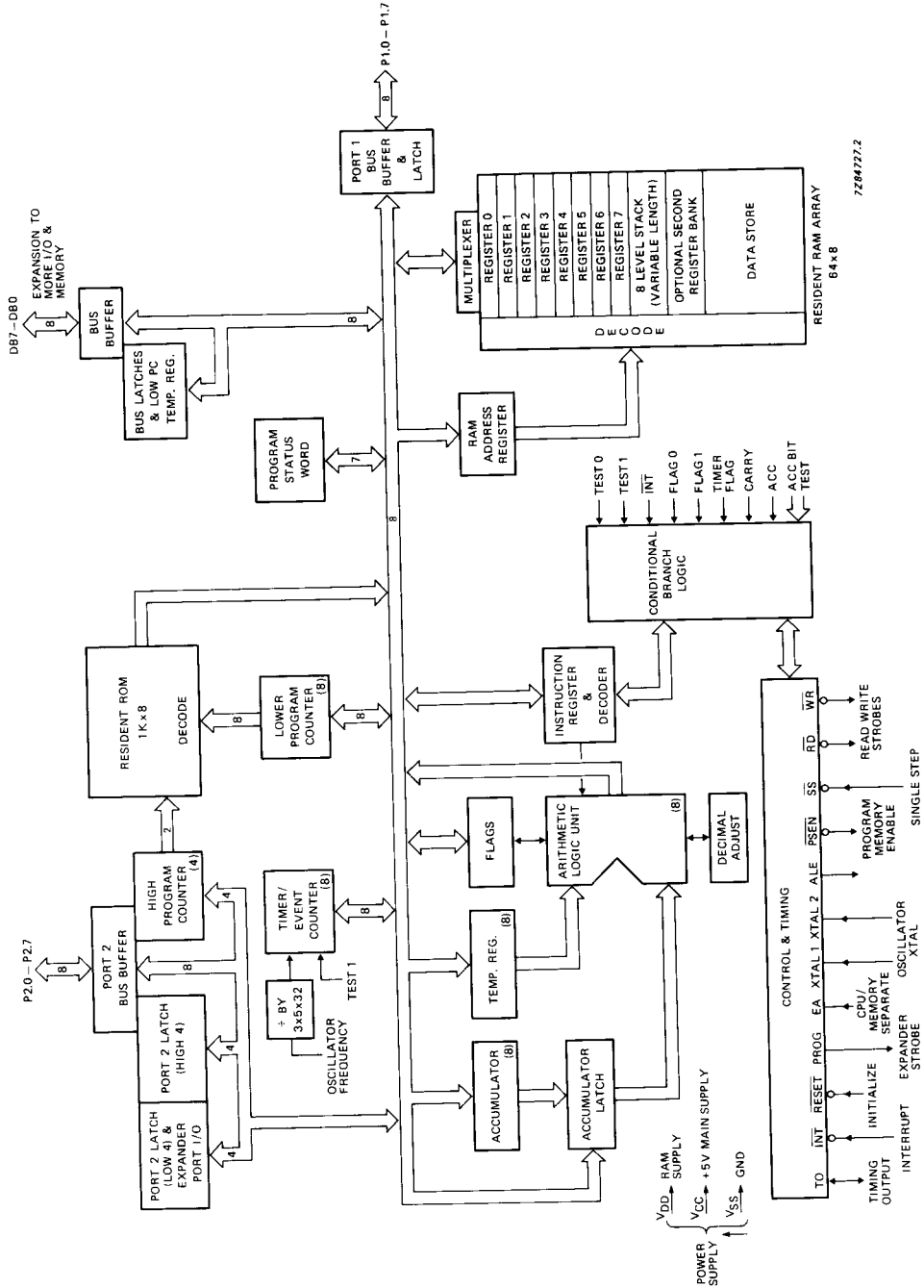
- 8-bit CPU, ROM, RAM and I/O
- 8-bit counter/timer
- On-chip oscillator and clock driver circuits
- Single-level interrupts: external and counter/timer
- 17 internal registers: accumulator, 16 addressable registers
- Over 90 instructions: 70% single byte
- All instructions 1 or 2 cycles
- Easily expandable memory and 27 I/O lines
- TTL compatible inputs and outputs
- Single 5 V supply
- Standard and extended temperature ranges (see Table 5):
MAB80XX: 0 to +70 °C
MAF80XX: -40 to +85 °C
MAF80AXX: -40 to +110 °C

Applications

- Peripheral interfaces and controllers
- Test and measuring instruments
- Sequencers
- Modems and data enciphering
- Environmental control systems
- Audio/video systems

PACKAGE OUTLINES

All versions: with type no. suffix P (see Table 5): 40-lead DIL; plastic (SOT-129).
MAB8035/8048/8039/8049H/HLWP : 44-lead PLCC; plastic leaded chip-carrier (SOT187AA).



7284772

Fig. 1 Block diagram.

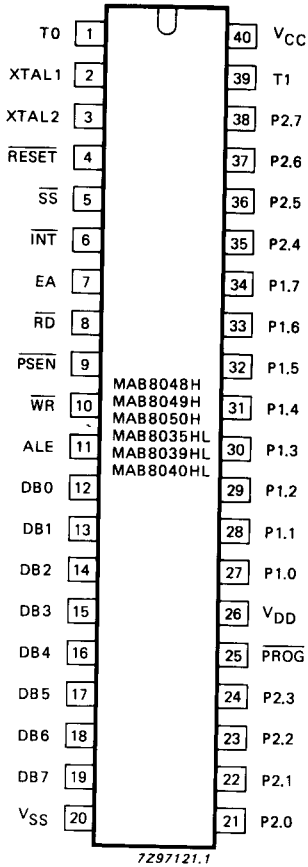


Fig. 2a Pinning diagram; for pin designation see next page.

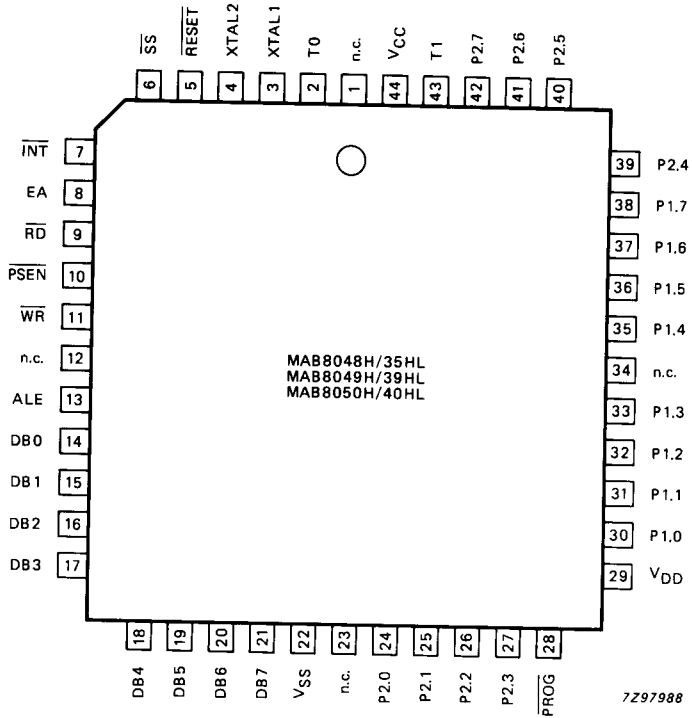


Fig. 2b Pinning diagram for MAB80XXHWP; for pin designation see next page.

Product type numbering European and USA cross-reference scheme

Type numbering reference used mainly in Europe

- MAB8039HLP/HLWP
- MAF8039HLP/HLWP
- MAB8049HP/HWP
- MAF8049HP/HWP
- MAB8040HLP/HLWP
- MAF8050HP/HWP

Type numbering equivalent reference used mainly in USA

- SCN8039HCB N40/A44
- SCN8039HAB N40/A44
- SCN8049HCB N40/A44
- SCN8049HAB N40/A44
- SCN8040HCB N40/A44
- SCN8050HCB N40/A44

PINNING

12–19	DB0–DB7	Data Bus: true bidirectional I/O port which can be written or read using the \overline{RD} and \overline{WR} strobes. This port can also be used as an 8-bit latch. It contains the 8 low order address bits during an external memory access and receives the addressed instruction under control of \overline{PSEN} . This multiplexed address/data port also contains the address and data during external RAM accesses.
27–34	P1.0–P1.7	Port 1: 8-bit quasi-bidirectional I/O port (note 1).
21–24	P2.0–P2.7	Port 2: 8-bit quasi-bidirectional I/O port (note 1). P2.0–P2.3 contains the 4 higher order address bits during an external program memory access and provides a 4-bit bus for 8243 I/O expanders.
35–38		
25	\overline{PROG}	Output strobe: active LOW for 8243 I/O expanders.
1	T0	Test 0: input pin which can be tested by the JT0 and JNT0 instructions. Clock: T0 can be configured as a clock output using the ENT0 CLK instruction.
39	T1	Test 1: input pin which can be tested using the JT1 and JTN1 instructions. T1 can be configured as the timer/counter input using the STRT CNT instruction.
6	\overline{INT}	Interrupt: interrupt input pin which can initiate an interrupt if the external interrupt is enabled. Can also be tested using the JN1 instruction. Interrupt is disabled during and after RESET.
4	\overline{RESET}	Reset: active LOW input used to initialize the microcontroller. During program verification, the address is latched by a 0– to –1 transition on \overline{RESET} and the data at the addressed location is output on BUS (note 2).
11	ALE	Address latch enable: occurs each cycle and is useful as a clock output. During an external program or data memory access, ALE is used to latch the address information multiplexed on the DB0 to DB7 outputs.
8	\overline{RD}	Read BUS: active LOW strobe used to gate data on to BUS lines when reading from an external source.
10	\overline{WR}	Write BUS: active LOW strobe used to write data from BUS lines to an external designation.
7	EA	External access input: when HIGH, all instruction fetches are from external memory.
9	\overline{PSEN}	Program store enable: active LOW strobe that occurs only during a fetch from external memory.
5	\overline{SS}	Single step: active LOW input used with ALE to cause the microcontroller to execute a single instruction.
2	XTAL 1	Crystal inputs: inputs for a crystal, LC-network or an external timing signal to determine the internal oscillator frequency (note 2).
3	XTAL 2	
20	VSS	Ground: circuit earth potential.
40	VCC	Power supply: + 5 V main power supply pin.
26	VDD	Power supply: + 5 V RAM standby power supply; low power

Notes

1. Each port line can be individually configured as an input or an output. A line is designated as an input by first writing a logic 1 to the line. RESET sets all port lines to logic 1.
2. Non-standard TTL V_{IH}.

FUNCTIONAL DESCRIPTION

The following sections provide a detailed functional description of the MAB80XXH microcontroller as shown in Fig. 1. The generic term "MAB80XXH" is used to refer collectively to the MAB8048H/35HL, MAB8049H/39HL and MAB8050H/40HL.

Program memory (see Fig. 3)

The on-chip program memory consists of 1024, 2048 or 4096 bytes of mask programmed ROM (MAB8048H/49H/50H); the MAB8035HL/39HL/40HL versions do not have on-chip program memory. The total addressing capability is 4096 bytes.

The program memory address space is divided into two 2048-byte banks MB0 and MB1. These two 2048 byte banks are each divided into 8 pages of 256 bytes for conditional branches. There are three locations in program memory of special interest. These are:

- Location 0 — contains the first instruction to be executed after a RESET
- Location 3 — contains the first instruction of an external interrupt routine
- Location 7 — contains the first instruction of a timer/counter interrupt routine

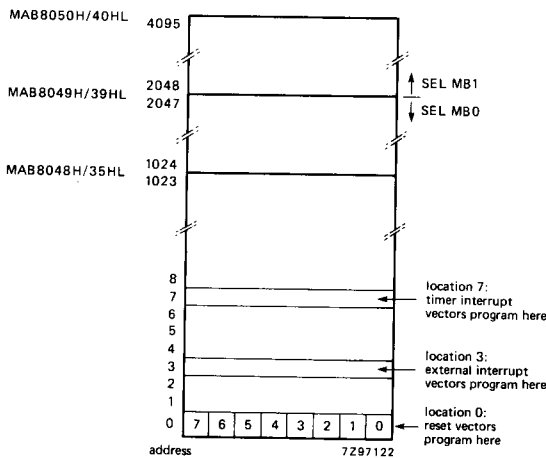


Fig. 3 Program memory map.

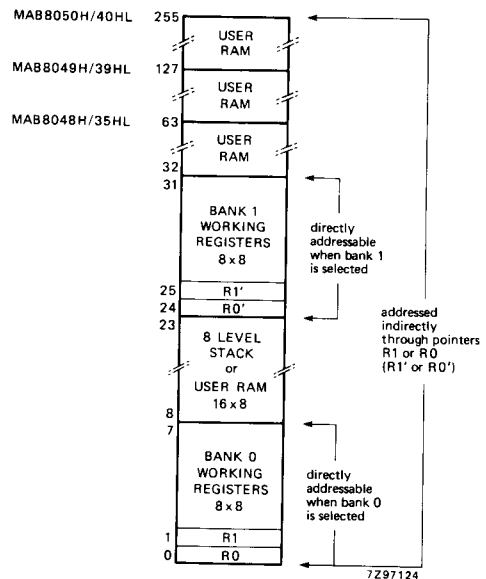


Fig. 4 Data memory map.

FUNCTIONAL DESCRIPTION (continued)

Data memory (see Fig. 4)

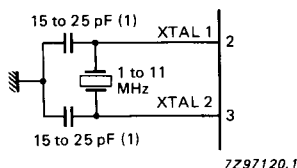
The on-chip data memory consists of a 64, 128 or 256 byte RAM. All locations are indirectly addressable using two RAM pointer registers R0, R1 or R0', R1'. The first 8 RAM locations (0 to 7) are designated as working register bank 0 and are directly addressable. By selecting register bank 1, RAM locations 24 to 31 become the working registers. RAM locations 8 to 23 are designated as the stack. Two bytes are used per CALL allowing up to 8 levels of subroutine nesting. An extra 256 bytes of RAM may be added and addressed directly using the MOVX instructions. If more RAM is required, I/O port lines may be used to select additional (256 byte) banks of external memory.

Program counter and stack

The program counter (PC) is a 12-bit counter/register that points to the location from which the next instruction is to be fetched. When EA is logic 0 the PC can address locations 0 to 1023 (8048H), 2047 (8049H) or 4095 (8050H) of internal program memory. At the 1 K (8048H), 2 K (8049H) boundary, an automatic switch-over to external memory occurs. When EA is logic 1 all fetches are from external program memory. The total address space is 4 K bytes. An interrupt or subroutine CALL causes the contents of the program counter to be stored in one of the 8 register pairs of the program counter stack. A 3-bit stack pointer which is part of the program status word (PSW) points to the relevant register pair. Data RAM locations 8 to 23 are available as stack registers and are used to store the program counter and 4 bits of the PSW register. The stack pointer, when initialized to 000, points to RAM locations 8 and 9. The first subroutine jump or interrupt results in the program counter contents being transferred to locations 8 and 9 of the RAM array. The stack pointer is then incremented by one to point to locations 10 and 11. Nesting of subroutines within subroutines can continue up to 8 times without overflowing the stack. If overflow does occur the deepest address stored (locations 8 and 9) will be overwritten and lost since the stack pointer overflows from 111 to 000. It also underflows from 000 to 111. The end of a subroutine, which is signalled by a return instruction (RET or RETR), causes the stack pointer to be decremented and the contents of the appropriate register pair to be transferred to the program counter.

Oscillator and clock (see Figs 5, 6 and 7)

The MAB80XXH has on-chip oscillator and clock driver circuitry. A crystal, LC-network or external timing signal (pulse generator) determines the oscillator frequency. The output of the oscillator is divided-by-three and is available at T0 (pin 1) by executing the ENT0 CLK instruction. This clock signal (CLK) is divided-by-five to define a machine (instruction) cycle. It is available at ALE (pin 11).



(1) Including crystal-socket stray capacities.

Fig. 5 Crystal oscillator mode. Crystal series impedance should be < 75 Ω at 6 MHz and < 180 Ω at 3.6 MHz. When using a ceramic oscillator both capacitors should be 30 pF.

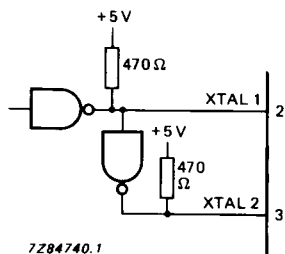
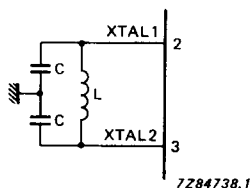


Fig. 6 External clock source. Both XTAL 1 and XTAL 2 should be driven. Resistors to V_{CC} (+ 5 V) are required to ensure $V_{IH} = 3,8$ V if TTL circuitry is used. The minimum HIGH and LOW times are 45%.



$$f \approx \frac{1}{2\pi\sqrt{LC'}} ; C' = \frac{C + 3C_{pp}}{2}$$

L (μ H)	C (pF)	nom. f (MHz)
45	20	5,2
120	20	3,2

Fig. 7 LC oscillator. Each capacitor should be ≈ 20 pF including stray capacitance $C_{pp} \approx 5$ to 10 pF (pin-to-pin capacitance).

Timer/event counter

An internal counter is available which can count either external events or machine cycles ($\div 32$). The machine cycles are divided-by-32 before they are applied to the input of the 8-bit counter. External events are applied directly to the input of the counter. The maximum clock rate is one third of the machine cycle frequency. The minimum positive duty cycle that can be detected is 0,2 times the cycle period. The counter can be configured to generate an interrupt to the processor when it overflows.

Interrupt

An interrupt may be generated by:

- An external input \overline{INT} (pin 6)
or
- A timer/counter overflow, when enabled.

In either event, the processor completes execution of the present instruction and then calls the interrupt service routine.

At the end of the interrupt service routine, a RETR instruction restores the machine to the state it was in prior to the interrupt. The external interrupt has priority over the timer/counter interrupt.

Input/output

The MAB80XXH has 27 I/O lines arranged as three 8-bit ports and 3 'test' inputs that can alter program sequences when tested by conditional jump instructions.

Each port line can be individually configured as an input or output.

FUNCTIONAL DESCRIPTION (continued)

Ports 1 and 2 are both 8-bits wide and have identical characteristics. Data written to these ports is latched and remains unchanged until rewritten. In the input mode, these ports are non-latching; inputs must be present until read by an input instruction. Inputs are fully TTL compatible and outputs will drive one standard TTL load.

Ports 1 and 2 are called quasi-bidirectional because they are not high impedance when configured as inputs. Each line is pulled up to +5 V through a resistor ($\approx 50 \Omega$). This pull-up provides sufficient source current for a TTL HIGH level, yet can be pulled LOW by a standard TTL gate, thus allowing the pin to be used both as an input and an output. To provide fast switching times during a logic 0 - to - 1 transition, transistor TR 2 is switched on for one fifth of a machine cycle when a logic 1 is written to the line. When a logic 0 is written, transistor TR 1 overcomes the pull-up and provides TTL current sinking capability. Since the pull-down transistor is low impedance, a logic 1 must first be written to any line which is to be used as an input. RESET initializes all lines to the high impedance logic 1 state. This structure allows input and output on the same pin. Individual port lines can be read and written using the ANL and ORL instructions.

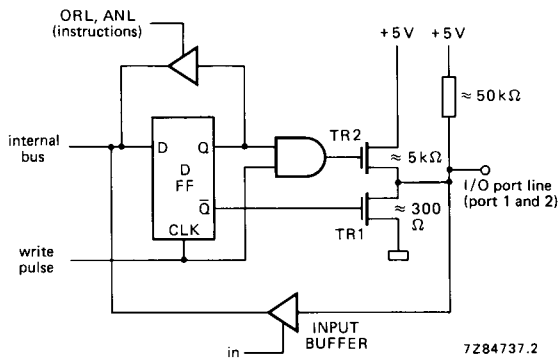
BUS (DB0-DB7)

BUS is a true bidirectional 8-bit port with associated input and output strobes. The BUS port can operate in three different modes: as a latched I/O port, as a bidirectional bus port, or in an expanded system as a program memory address output port. If the bidirectional feature is not needed, BUS can serve as either a statically latched output port or non-latching input port. Input and output lines on this port cannot be mixed. The BUS port lines are either active HIGH, active LOW, or high impedance (floating).

As a static port, data is written and latched using the OUTL instruction and input using the INS in instruction. The INS and OUTL instructions generate pulses on the corresponding \overline{RD} and \overline{WR} output strobe lines; however, in the static port mode they are generally not used. As a bidirectional port, the MOVX instructions are used to read and write the port. A write to the port generates a pulse on the \overline{WR} output line and output data is valid at the trailing edge of \overline{WR} . A read of the port generates a pulse on the \overline{RD} output line and input data must be valid at the trailing edge of \overline{RD} .

The latched mode (INS, OUTL) is intended for use in the single-chip configuration, where BUS is not being used as an expanded port. OUTL and MOVX instructions can be mixed if required. However, when using a MOVX instruction a previously latched output will be lost and BUS will be left in the high impedance state. INS does not put the BUS in a high impedance state. Therefore, in order to read an external byte (and not the previously latched value) using an INS instruction, it is necessary to precede INS with a MOVX instruction.

OUTL should never be used in a system with external program memory, since latching BUS may cause the next instruction to be incorrectly fetched.



N.B The OUTL, ANL and the ORL instructions relating to BUS are for use with internal program memory only.

Fig. 8 Quasi-bidirectional port structure.

Test (T0, T1) and $\overline{\text{INT}}$

These three pins serve as inputs and may be tested by the conditional jump instruction. They allow inputs to cause program branches without the necessity of loading an input port into the accumulator.

 $\overline{\text{RESET}}$ (see Fig. 9)

This active LOW input is used to initialize the microcontroller.

This Schmitt-trigger input has an internal pull-up resistor which, in combination with an external $1\ \mu\text{F}$ capacitor, provides an internal reset pulse of sufficient duration to reset all circuitry. If the reset pulse is generated externally, the reset pin must be held at ground (0,45 V) for at least 10 ms after the power supply is within tolerance. Only 5 machine cycles ($12,5\ \mu\text{s}$ at 6 MHz) are required if power is already on and the oscillator has stabilized.

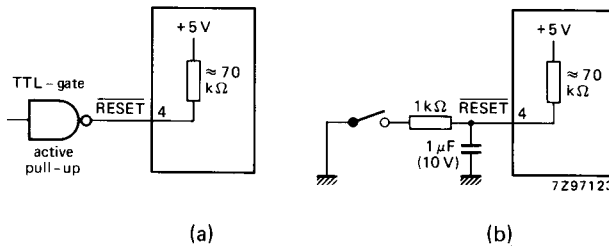


Fig. 9 An external reset is shown in (a) and power-on reset in (b).

Single step ($\overline{\text{SS}}$)

This active LOW input when used in combination with ALE will cause the microcontroller to execute a single instruction, then wait until $\overline{\text{SS}}$ is reactivated.

Power-down mode (see Fig. 10)

In the MAB80XXH, power can be removed from all but the data RAM array, for low power standby operation. In the power-down mode the contents of the data RAM can be maintained while drawing typically 10% to 15% of the normal operating supply voltage. V_{CC} serves as the +5 V supply pin for the bulk of the circuitry, while the V_{DD} pin supplies only the RAM array. In normal operation, both pins are at +5 V. In the standby mode, V_{CC} is at ground and only V_{DD} is maintained at +5 V. Applying $\overline{\text{RESET}}$ to the microcontroller through the reset pin inhibits any access to the RAM and ensures that the RAM cannot be inadvertently altered as power is removed from V_{CC} .

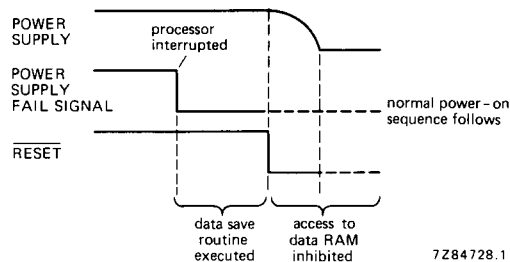


Fig. 10 Power down sequence.

FUNCTIONAL DESCRIPTION (continued)

Instruction set (see Tables 1, 2, 3 and 4)

The MAB80XXH instruction set consists of over 90 one and two-byte instructions. Program code efficiency is high because:

- Working registers and program variables are stored in RAM locations 0 to 127, which require only a single byte to address
- Program memory is divided into pages of 256 bytes, which means that branch destination addresses require only one byte

The instruction set performs logical, arithmetic and test operations on bytes. It also manipulates and tests bits. A set of MOVE instructions operate indirectly on either RAM or ROM, which permits efficient access of pointers and data tables. The indirect jump instruction performs a multi-way branch (up to 256) on the contents of the accumulator to addresses stored in a look-up table. The 'decrement register and jump if not zero' instruction saves a byte each time it is used as opposed to using separate increment and test instructions. The on-chip counter provides the facility for external events or time to be counted by hardware which does not interfere with the main program. The MAB80XXH can either test the counter (under program control) or cause its overflow to generate an interrupt. These features are essential for real-time applications.

Table 1 Symbols and definitions used in Table 2.

symbol	definition description
A	accumulator
addr	program memory address
Bb	bit designation (b = 0–7)
RBS	register bank select
C	carry (bit CY)
CNT	event counter
D	mnemonic for 4-bit digit (nibble)
data	8-bit number or expression
I	interrupt
MB	memory bank
MBFF	memory bank flip-flop
P	mnemonic for 'in-page' operation
PC	program counter
Pp	port designation (p = 0, 1, 2)
PSW	program status word
RB	register bank
Rr	register designation (r = 0–7)
Sn	serial I/O register
SP	stack pointer
T	timer
TF	timer flag
T0	test 0 input
T1	test 1 input
#	immediate data prefix
@	indirect address prefix
(X)	contents of X
((X))	contents of location addressed by X
←	is replaced by
↔	is exchanged with

Table 2 Instruction set

mnemonic	opcode (hex.)	bytes/ cycles	description	function	notes
ADD A, Rr	6*	1/1	Add register contents to A	$(A) \leftarrow (A) + (Rr)$	$r = 0-7$ 1
ADD A, @Rr	60 61	1/1	Add RAM data, addressed by Rr, to A	$(A) \leftarrow (A) + ((R0))$ $(A) \leftarrow (A) + ((R1))$	1
ADD A, #data	03 data	2/2	Add immediate data to A	$(A) \leftarrow (A) + \text{data}$	1
ADDC A, Rr	7*	1/1	Add carry and register contents to A	$(A) \leftarrow (A) + (Rr) + (C)$	1
ADDC A, @Rr	70 71	1/1	Add carry and RAM data, addresses by Rr, to A	$(A) \leftarrow (A) + ((R0)) + (C)$ $(A) \leftarrow (A) + ((R1)) + (C)$	1
ADDC A, #data	13 data	2/2	Add carry and immediate data to A	$(A) \leftarrow (A) + \text{data} + (C)$	1
ANL A, Rr	5*	1/1	'AND' Rr with A	$(A) \leftarrow (A) \text{ AND } (Rr)$	$r = 0-7$
ANL A, @Rr	50 51	1/1	'AND' RAM data, addressed by Rr, with A	$(A) \leftarrow (A) \text{ AND } ((R0))$ $(A) \leftarrow (A) \text{ AND } ((R1))$	
ANL A, #data	53 data	2/2	'AND' immediate data with A	$(A) \leftarrow (A) \text{ AND data}$	
ORL A, Rr	4*	1/1	'OR' Rr with A	$(A) \leftarrow (A) \text{ OR } (Rr)$	$r = 0-7$
ORL A, @Rr	40 41	1/1	'OR' RAM data, addressed by Rr, with A	$(A) \leftarrow (A) \text{ OR } ((R0))$ $(A) \leftarrow (A) \text{ OR } ((R1))$	
ORL A, #data	43 data	2/2	'OR' immediate data with A	$(A) \leftarrow (A) \text{ OR data}$	
XRL A, Rr	D*	1/1	'XOR' Rr with A	$(A) \leftarrow (A) \text{ XOR } (Rr)$	$r = 0-7$
XRL A, @Rr	D0 D1	1/1	'XOR' RAM, addressed by Rr, with A	$(A) \leftarrow (A) \text{ XOR } ((R0))$ $(A) \leftarrow (A) \text{ XOR } ((R1))$	
XRL A, #data	D3 data	2/2	'XOR' immediate data with A	$(A) \leftarrow (A) \text{ XOR data}$	
INC A	17	1/1	increment A by 1	$(A) \leftarrow (A) + 1$	
DEC A	07	1/1	decrement A by 1	$(A) \leftarrow (A) - 1$	
CLR A	27	1/1	clear A to zero	$(A) \leftarrow 0$	
CPL A	37	1/1	one's complement A	$(A) \leftarrow \text{NOT}(A)$	
RL A	E7	1/1	rotate A left	$(A_n + 1) \leftarrow (A_n)$ $(A_0) \leftarrow (A_7)$	$n = 0-6$

ACCUMULATOR

mnemonic	opcode (hex.)	bytes/ cycles	description	function	notes
ACCUMULATOR (cont.)					
RLCA	F7	1/1	rotate A left through carry	$(A_{n+1}) \leftarrow (A_n)$ $(A_0) \leftarrow (C), (C) \leftarrow (A_7)$	n = 0-6 2
RR A	77	1/1	rotate A right	$(A_n) \leftarrow (A_{n+1})$ $(A_7) \leftarrow (A_0)$	n = 0-6 2
RRC A	67	1/1	rotate A right through carry	$(A_n) \leftarrow (A_{n+1})$ $(A_7) \leftarrow (C), (C) \leftarrow (A_0)$	n = 0-6 2
DA A	57	1/1	decimal adjust A		2
SWAP A	47	1/1	swap nibbles of A	$(A_{4-7}) \leftrightarrow (A_{0-3})$	2
MOV A, Rr	F*	1/1	move register contents to A	$(A) \leftarrow (Rr)$	r = 0-7
MOV A, @Rr	F0 F1	1/1	move RAM data, addressed by Rr, to A	$(A) \leftarrow ((R0))$ $(A) \leftarrow ((R1))$	r = 0-7
MOV A, #data	23 data	2/2	move immediate data to A	$(A) \leftarrow \text{data}$	r = 0-7
MOV Rr, A	A*	1/1	move accumulator contents to register	$(Rr) \leftarrow (A)$	r = 0-7
MOV @Rr, A	A0 A1	1/1	move accumulator contents to RAM location addressed by Rr	$((R0)) \leftarrow (A)$ $((R1)) \leftarrow (A)$	r = 0-7
MOV Rr, #data	B* data	2/2	move immediate data to Rr	$(Rr) \leftarrow \text{data}$	r = 0-7
MOV @rR, #data	B0 data B1 data	2/2	move immediate data to RAM location addressed by Rr	$((R0)) \leftarrow \text{data}$ $((R1)) \leftarrow \text{data}$	r = 0-7
XCH A, Rr	2*	1/1	exchange accumulator contents with Rr	$(A) \leftrightarrow (Rr)$	r = 0-7
XCH A, @Rr	20 21	1/1	exchange accumulator contents with RAM data addressed by Rr	$(A) \leftrightarrow ((R0))$ $(A) \leftrightarrow ((R1))$	r = 0-7
XCHD A, @Rr	30 31	1/1	exchange lower nibbles of A and RAM data addressed by Rr	$(A_{0-3}) \leftrightarrow ((R0_{0-3}))$ $(A_{0-3}) \leftrightarrow ((R1_{0-3}))$	r = 0-7
MOV A, PSW	C7	1/1	move PSW contents to accumulator	$(A) \leftarrow (\text{PSW})$	3
MOV PSW, A	D7	1/1	move accumulator contents to PSW	$(\text{PSW}) \leftarrow (A)$	3
MOV A, @A	A3	1/2	move indirectly addressed data in current page to A	$(A) \leftarrow ((A))$	3
MOV3 A, @A	E3	1/2	move data in page 3 to A	$(A) \leftarrow ((A))$	in page 3
DATA MOVES					

MOVX A,@Rr	80	1/2	move indirect the contents of external memory to A	(A)←(Rr)	r = 0-1
MOVX @Rr,A	81	1/2	move indirect the contents of A to external memory	((Rr)←(A))	r = 0-1
CLR C	97	1/1	clear carry bit	(C)←0	2
CPL C	A7	1/1	complement carry bit	(C)←NOT(C)	2
INC Rr	1*	1/1	increment register by 1	(Rr)←(Rr) + 1	r = 0-7
INC @Rr	10	1/1	increment RAM data, addressed by Rr, by 1	((R0)←((R0)) + 1 ((R1)←((R1)) + 1)	
DEC Rr	C*	1/1	decrement register by 1	(Rr)←(Rr) - 1	r = 0-7
JMP addr	● 4 address	2/2	unconditional jump within a 2 K bank	(PC8-10)←addr8-10 (PC0-7)←addr0-7 (PC11-12)←MBFF 0-1 (PC0-7)←(A))	
JMPP @A	B3	1/2	indirect jump within a page	(Rr)←(Rr) - 1	r = 0-7
DJNZ Rr, addr	E* address	2/2	decrement Rr by 1 and jump if not zero to addr	if (Rr) not zero (PC0-7)←addr if F0 = 1: (PC0-7)←addr if F1 = 1: (PC0-7)←addr if $\overline{\text{INT}}$ = 0: (PC0-7)←addr if b = 1: (PC0-7)←addr if C = 1: (PC0-7)←addr if C = 0: (PC0-7)←addr if A = 0: (PC0-7)←addr if A ≠ 0: (PC0-7)←addr if T0 = 1: (PC0-7)←addr if T0 = 0: (PC0-7)←addr if T1 = 1: (PC0-7)←addr if T1 = 0: (PC0-7)←addr if TF = 1: (PC0-7)←addr	
JF0 addr	B6 address	2/2	jump to addr if F0 = 1		
JF1 addr	76 address	2/2	jump to addr if F1 = 1		
JN1 addr	86 address	2/2	jump to addr if $\overline{\text{INT}}$ = 0		
JBb addr	▲ 2 address	2/2	jump to addr if Acc. bit b = 1		b = 0-7
JC addr	F6 address	2/2	jump to addr if C = 1		
JNC addr	E6 address	2/2	jump to addr if C = 0		
JZ addr	C6 address	2/2	jump to addr if A = 0		
JNZ addr	96 address	2/2	jump to addr if A is NOT zero		
JTO addr	36 address	2/2	jump to addr if T0 = 1		
JNT0 addr	26 address	2/2	jump to addr if T0 = 0		
JT1 addr	56 address	2/2	jump to addr if T1 = 1		
JNT1 addr	46 address	2/2	jump to addr if T1 = 0		
JTF addr	16 address	2/2	jump to addr if Timer Flag = 1		4

mnemonic	opcode (hex.)	bytes/cycles	description	function	notes
TIMER/EVENT COUNTER					
MOV A, T	42	1/1	move timer/event counter contents to accumulator	(A)←(T)	
MOV T, A	62	1/1	move accumulator contents to timer/event counter	(T)←(A)	
STRT CNT	45	1/1	start event counter		
STRT T	55	1/1	start timer		
STOP TCNT	65	1/1	stop timer/event counter		
EN TCNTI	25	1/1	enable timer/event counter interrupt		
DIS TCNTI	35	1/1	disable timer/event counter interrupt		
CONTROL					
EN I	05	1/1	enable external interrupt		
DIS I	15	1/1	disable external interrupt		5
SEL RB0	C5	1/1	select register bank 0	(RBS)←0	
SEL RB1	D5	1/1	select register bank 1	(RBS)←1	5
SEL MB0	E5	1/1	select program memory bank 0	(MBFF0)←0, (MBFF1)←0	
SEL MB1	F5	1/1	select program memory bank 1	(MBFF0)←1, (MBFF1)←0	
ENT0 CLK	75	1/1	enable clock output onto T0		
SUBROUTINE					
CALL addr	▲ 4 address	2/2	jump to subroutine	((SP))←(PC), (PSW _{4, 6, 7}) (SP)←(SP) + 1 (PC ₈₋₁₀)←addr ₈₋₁₀ (PC ₀₋₇)←addr ₀₋₇ (PC ₁₁₋₁₂)←MBFF 0-1	6
RET	83	1/2	return from subroutine	(SP)←(SP) - 1 (PC)←((SP))	6
RETR	93	1/2	return from interrupt and restore bits 4, 6, 7 of PSW	(SP)←(SP) - 1 (PSW _{4, 6, 7}) + (PC)←((SP))	6

INPUT/OUTPUT						
OUTL BUS,A	02	1/2	output accumulator to BUS	(BUS)←A	p = 1-2	7
IN A,Pp	09 0A	1/2	input port p data to accumulator	(A)←(P1) (A)←(P2)		
INS A,BUS	08	1/2	input strobed BUS data into accumulator	(A)←(BUS)	p = 1-2	
OUTL Pp,A	39 3A	1/2	output accumulator data to port p	(P1)←(A) (P2)←(A)		
ANL BUS, # data	98	2/2	logical AND immediate data with BUS	(BUS)←(BUS) AND data	p = 1-2	
ANL Pp, # data	99 9A	2/2	AND port p data with immediate data	(P1)←(P1) AND data (P2)←(P2) AND data		
ORL Pp, # data	89 8A	2/2	OR port p data with immediate data	(P1)←(P1) OR data (P2)←(P2) OR data	p = 1-2	
ORL BUS, # data	88	2/2	logical OR immediate data with BUS	(BUS)←(BUS) OR data		
MOVD A,Pp	0C 0D 0E 0F	1/2	move contents of designated port (4-7) to A	(A0-3)←(Pp) (A4-7)←0	p = 4-7	
MOVD Pp,A	3C 3D 3E 3F	1/1	move contents of A to designated port (4-7)	(Pp)←(A0-3)	p = 4-7	
ANLD Pp,A	9C 9D 9E 9F	1/2	logical AND contents of A with designated port (4-7)	(Pp)←(Pp) AND (A0-3)	p = 4-7	
ORLD Pp,A	8C 8D 8E 8F	1/1	logical OR contents of A with designated port (4-7)	(Pp)←(Pp) OR (A0-3)	p = 4-7	
NOP	00	1/1	no operation			

Notes to Table 2.

1. PSW CY, AC affected
2. PSW CY affected
3. PSW PS affected
4. Execution of JTF and JNTE instruction resets the Timer Flag (TF).

5. PSW RBS affected
6. PSW SP0, SP1, SP2 affected
7. (A) = 111 P23, P22, P21, P20.
8. (S1) has a different meaning for read and write operation, see serial I/O interface.

- * : 8, 9, A, B, C, D, E, F
- : 0, 2, 4, 6, 8, A, C, E
- ▲ : 1, 3, 5, 7, 9, B, D, F

Table 3 Instruction timing (see also Figs 11 and 12)

instruction	cycle 1					cycle 2				
	S1	S2	S3	S4	S5	S1	S2	S3	S4	S5
IN A,P	fetch instruction	increment program counter	-	increment timer	-	-	read port	*	-	-
OUTL P,A	-	-	-	-	output to port	-	-	*	-	-
ANL P,#data	-	*	-	-	read port	fetch immediate data	-	*increment program counter	output to port	-
ORL P,#data	-	*	-	-	read port	fetch immediate data	-	*increment program counter	output to port	-
INSA,BUS	-	-	-	-	-	-	read port	*	-	-
OUTL BUS,A	-	-	-	-	output to port	-	-	*	-	-
ANL BUS,#data	-	*	-	-	read port	fetch immediate data	-	*increment program counter	output to port	-
ORL BUS,#data	-	*	-	-	read port	fetch immediate data	-	*increment program counter	output to port	-
MOVX @R,A	-	-	output RAM address	-	output data to RAM	-	-	*	-	-
MOVX A,@R	-	-	output RAM address	-	-	-	read data	*	-	-
MOVD A,P	fetch instruction	increment program counter	output opcode/address	increment timer	-	-	read P2 lower	*	-	-

instruction	cycle 1					cycle 2				
	S1	S2	S3	S4	S5	S1	S2	S3	S4	S5
MOVD P,A	fetch instruction	increment program counter	output opcode/address	increment timer	output data to P2 lower	-	-	*	-	-
ANLD P,A	-	-	output opcode/address	-	output data	-	-	*	-	-
ORLD P,A	-	-	output opcode/address	-	output data	-	-	*	-	-
J (conditional)	-	*	sample condition	increment timer	-	fetch immediate data	-	-	-	-
STRT CNT STRT T	-	*	-	-	start counter	-	-	-	-	-
STOP TCNT	-	*	-	-	stop counter	-	-	-	-	-
EN I	-	*	-	enable interrupt	-	-	-	-	-	-
DIS I	-	*	-	disable interrupt	-	-	-	-	-	-
ENTO CLK	fetch instruction	*increment program counter	-	enable clock	-	-	-	-	-	-

* Valid instruction addresses are output at this time if external program memory is being accessed.

S5	S1	S2	S3	S4	S5	S1
	INPUT INSTR.	DECODE	EXECUTION			INPUT
OUTPUT ADDRESS		INC. PC	OUTPUT ADDRESS			

7284731

Fig. 11 Instruction cycle.

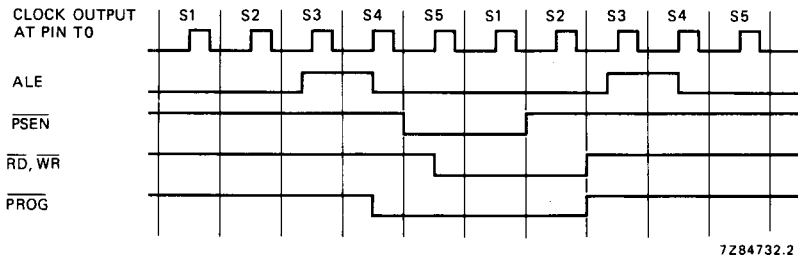


Fig. 12 Instruction cycle timing.

Table 4 Instruction map.

		first hexadecimal character of opcode				second hexadecimal character of opcode										
	0	1	2	3	4	5	6	7	8	9	A	B	C	D	E	F
0	NOP		OUTL BUS,A	ADD A, #data	JMP page 0	EN I		DECA A,BUS	INS A,BUS	IN A, Pp				MOV D A,Pp		
1	INC @Rr	1	JB0 addr	ADDC A, #data	CALL page 0	DIS I	JTF addr	INCA	INCRr							
2	XCH A, @Rr	1		MOV A, #data	JMP page 1	EN	JNT0 addr	CLRA	XCH A,Rr							
3	XCHD A, @Rr	0	JB1 addr		CALL page 1	DIS	JT0 addr	CPL A		OUTL Pp,A				MOV D Pp,A		
4	ORL A, @Rr	1	MOV A, T	ORL A, #data	JMP page 2	STR	JNT1 addr	SWAP A	ORL A,Rr							
5	ANL A, @Rr	1	JB2 addr	ANL A, #data	CALL page 2	STR	JT1 addr	DA, A	ANL A,Rr							
6	ADD A, @Rr	1	MOV T, A		JMP page 3	STOP		RRA	ADD A,Rr							
7	ADDC A, @Rr	0	JB3 addr		CALL page 3	ENT0	JF1 addr	RR A	ADDC A,Rr							
8	MOVX A, @Rr	1		RET	JMP page 4	CLR F0	JNI addr	ORL BUS, #data	ORL Pp, #data					ORL Pp,A		
9	MOVX @Rr, A	1	JB4 addr	RETR	CALL page 4	CPL F0	JNZ addr	CLR C	ANL BUS, #data	ANP Pp, #data				ANL Pp,A		
A	MOV @Rr, A	1		MOV A, @A	JMP page 5	CLR F1		CPL C	MOV Rr,A							
B	MOV @Rr, #data	1	JB5 addr	JMPP @A	CALL page 5	CPL F1	JF0 addr		MOV R, #data							
C					JMP page 6	SEL RB0	JZ addr	MOV A, PSW	DEC Rr							
D	XRL A, @Rr	1	JB6 addr	XRL A, #data	CALL page 6	SEL RB1		MOV PSW, A	XRL A,Rr							
E				MOV P3 A @A	JMP page 7	SEL MB0	JNC addr	RL A	DJNZ Rr, addr							
F	MOV A, @Rr	1	JB7 addr		CALL page 7	SEL MB1	JC addr	RLC A	MOV A,Rr							

RATINGS

Limiting values in accordance with the Absolute Maximum System (IEC 134)

Input voltage with respect to V_{SS}

except input EA

V_I -0,5 to +7 V

input EA

V_I -0,5 to +12 V

DC current into any input or output

$\pm I_I, \pm I_O$ max. 10 mA

Total power dissipation

P_{tot} max. 1 W

Storage temperature range

T_{stg} -65 to +150 °C

Operating ambient temperature range

T_{amb} see Table 5

Table 5 MAB80XXH versions.

version	internal memory		RAM st/by.	frequency (MHz)		temperature range (°C)
				min.	max.	
MAB8048H	1 K x 8 ROM	64 byte RAM	yes	1,0	11,0	0 to +70
MAB8035HL	none	64 byte RAM	yes	1,0	11,0	0 to +70
MAF8048H	1 K x 8 ROM	64 byte RAM	yes	1,0	11,0	-40 to +85
MAF8035HL	none	64 byte RAM	yes	1,0	11,0	-40 to +85
MAF80A48H	1 K x 8 ROM	64 byte RAM	yes	1,0	10,0	-40 to +110
MAF80A35HL	none	64 byte RAM	yes	1,0	10,0	-40 to +110
MAB8049H	2 K x 8 ROM	128 byte RAM	yes	1,0	11,0	0 to +70
MAB8039HL	none	128 byte RAM	yes	1,0	11,0	0 to +70
MAF8049H	2 K x 8 ROM	128 byte RAM	yes	1,0	11,0	-40 to +85
MAF8039HL	none	128 byte RAM	yes	1,0	11,0	-40 to +85
MAF80A49H	2 K x 8 ROM	128 byte RAM	yes	1,0	10,0	-40 to +110
MAF80A39HL	none	128 byte RAM	yes	1,0	10,0	-40 to +110
MAB8050H	4 K x 8 ROM	256 byte RAM	yes	1,0	11,0	0 to +70
MAB8040HL	none	256 byte RAM	yes	1,0	11,0	0 to +70
MAF8050H	4 K x 8 ROM	256 byte RAM	yes	1,0	11,0	-40 to +85
MAF8040HL	none	256 byte RAM	yes	1,0	11,0	-40 to +85
MAF80A50H	4 K x 8 ROM	256 byte RAM	yes	1,0	10,0	-40 to +110
MAF80A40HL	none	256 byte RAM	yes	1,0	10,0	-40 to +110

DC CHARACTERISTICS (MAB8048H/35HL; MAB8049H/39HL; MAB8050H/40HL)

$V_{CC} = V_{DD} = 5\text{ V} (\pm 10\%)$; $V_{SS} = 0\text{ V}$; $T_{amb} = 0\text{ to } +70\text{ }^\circ\text{C}$; all voltages with respect to V_{SS} unless otherwise specified

parameter	symbol	min.	typ.	max.	unit
Supply current at $V_{DD} = 5\text{ V} \pm 10\%$; $V_{SS} = V_{CC} = 0\text{ V}$					
MAB8048H/35HL	I_{DD}	—	—	6	mA
MAB8049H/39HL	I_{DD}	—	—	8	mA
MAB8050H/40HL	I_{DD}	—	—	15	mA
Supply current (total) at $V_{DD} = V_{CC} = 5\text{ V} \pm 10\%$; $V_{SS} = 0\text{ V}$					
MAB8048H/35HL	$I_{DD} + I_{CC}$	—	—	80	mA
MAB8049H/39HL	$I_{DD} + I_{CC}$	—	—	90	mA
MAB8050H/40HL	$I_{DD} + I_{CC}$	—	—	100	mA
Inputs					
Input voltage LOW all inputs except XTAL 1, XTAL 2, $\overline{\text{RESET}}$	V_{IL}	-0,5	—	0,8	V
Input voltage LOW XTAL 1, XTAL 2, $\overline{\text{RESET}}$	V_{IL1}	-0,5	—	0,6	V
Input voltage HIGH all inputs except XTAL 1, XTAL 2, $\overline{\text{RESET}}$	V_{IH}	2,0	—	V_{CC}	V
Input voltage HIGH XTAL 1, XTAL 2, $\overline{\text{RESET}}$	V_{IH1}	3,8	—	V_{CC}	V
Outputs					
Output voltage LOW (DB0 to DB7) at $I_{OL} = 2\text{ mA}$	V_{OL}	—	—	0,45	V
Output voltage LOW ($\overline{\text{RD}}$, $\overline{\text{WR}}$, $\overline{\text{PSEN}}$, ALE) at $I_{OL1} = 1,8\text{ mA}$	V_{OL1}	—	—	0,45	V
Output voltage LOW ($\overline{\text{PROG}}$) at $I_{OL2} = 1\text{ mA}$	V_{OL2}	—	—	0,45	V
Output voltage LOW (all other outputs) at $I_{OL3} = 1,6\text{ mA}$	V_{OL3}	—	—	0,45	V
Output voltage HIGH (DB0 to DB7) at $-I_{OH} = 400\text{ }\mu\text{A}$	V_{OH}	2,4	—	—	V
Output voltage HIGH ($\overline{\text{RD}}$, $\overline{\text{WR}}$, $\overline{\text{PSEN}}$, ALE) at $-I_{OH1} = 100\text{ }\mu\text{A}$	V_{OH1}	2,4	—	—	V
Output voltage HIGH (all other outputs) at $-I_{OH} = 40\text{ }\mu\text{A}$	V_{OH2}	2,4	—	—	V

DC CHARACTERISTICS (continued)

parameter	symbol	min.	typ.	max.	unit
Input leakage current (T1, $\overline{\text{INT}}$) at $V_{SS} < V_I < V_{CC}$	$\pm I_{IL}$	—	—	10	μA
Output leakage current (DB0 to DB7, T0; high impedance) at $V_{SS} + 0,45 \text{ V} < V_I < V_{CC}$	$\pm I_{OZ}$	—	—	10	μA
Input load current (P1.0 to P1.7, P2.0 to P2.7, EA, $\overline{\text{SS}}$) at $V_{SS} + 0,45 \text{ V} < V_I < V_{CC}$	$-I_{LI}$	—	—	500	μA
Input load current ($\overline{\text{RESET}}$) at $V_{SS} < V_I < V_{CC}$	$-I_{LI1}$	20	—	300	μA

DC CHARACTERISTICS

MAF8048H/35HL; MAF8049H/39HL; MAF8050H/40HL (at $T_{\text{amb}} = -40$ to $+ 85$ °C)
MAF80A48H/A35HL; MAF80A49H/A39HL; MAF80A50H/A40HL (at $T_{\text{amb}} = -40$ to $+ 110$ °C)
 $V_{CC} = V_{DD} = 5 \text{ V} (\pm 10\%)$; $V_{SS} = 0 \text{ V}$; T_{amb} as above; all voltages with respect to V_{SS} unless otherwise specified

parameter	symbol	min.	typ.	max.	unit
Supply current at $V_{DD} = 5 \text{ V} \pm 10\%$; $V_{SS} = V_{CC} = 0 \text{ V}$ MAF8048H/35HL; MAF80A48H/A35HL	I_{DD}	—	—	8	mA
MAF8049H/39HL; MAF80A49H/A39HL	I_{DD}	—	—	10	mA
MAF8050H/40HL; MAF80A50H/A40HL	I_{DD}	—	—	18	mA
Supply current (total) at $V_{DD} = V_{CC} = 5 \text{ V} \pm 10\%$; $V_{SS} = 0 \text{ V}$ MAF8048H/35HL; MAF80A48H/A35HL	$I_{DD} + I_{CC}$	—	—	90	mA
MAF8049H/39HL; MAF80A49H/A39HL	$I_{DD} + I_{CC}$	—	—	100	mA
MAF8050H/40HL; MAF80A50H/A40HL	$I_{DD} + I_{CC}$	—	—	120	mA
Inputs					
Input voltage HIGH all inputs except XTAL 1, XTAL 2, $\overline{\text{RESET}}$	V_{IH}	2,2	—	V_{CC}	V
Input load current (P1.0 to P1.7, P2.0 to P2.7, EA, $\overline{\text{SS}}$) at $V_{SS} + 0,45 \text{ V} < V_I < V_{CC}$	$-I_{LI}$	—	—	0,6	mA

AC CHARACTERISTICS (MAB8048H/35HL; MAB8049H/39HL; MAB8050H/40HL)

$V_{CC} = V_{DD} = 5\text{ V}$ ($\pm 10\%$); $V_{SS} = 0\text{ V}$; $T_{amb} = 0\text{ to } +70\text{ }^{\circ}\text{C}$; note 1.
See waveforms Figs 14, 15, 16, 17 and 18

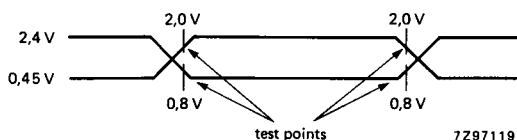
parameter	symbol	f(t _{CL}) (note 2)	11 MHz		unit
			min.	max.	
Clock period (note 2)	t _{CL}	1/(f _{XTAL})	90,9	1000	ns
ALE pulse duration	t _{LL}	3,5t _{CL} -170	150	—	ns
Address set-up time to ALE (note 3)	t _{AL}	2t _{CL} -110	70	—	ns
Address hold time after ALE	t _{LA}	t _{CL} -40	50	—	ns
Control pulse duration $\overline{\text{RD}}$, $\overline{\text{WR}}$	t _{CC1}	7,5t _{CL} -200	480	—	ns
Control pulse duration $\overline{\text{PSEN}}$	t _{CC2}	6t _{CL} -200	350	—	ns
Data set-up time before $\overline{\text{WR}}$	t _{DW}	6,5t _{CL} -200	390	—	ns
Data set-up time after $\overline{\text{WR}}$	t _{WD}	t _{CL} -50	40	—	ns
Data hold time					
$\overline{\text{RD}}$, $\overline{\text{PSEN}}$	t _{DR}	1,5t _{CL} -30	0	110	ns
$\overline{\text{RD}}$ to data input	t _{RD1}	6t _{CL} -170	—	350	ns
$\overline{\text{PSEN}}$ to data input	t _{RD2}	4,5t _{CL} -170	—	190	ns
Address set-up time to $\overline{\text{WR}}$	t _{AW}	5t _{CL} -150	300	—	ns
Address set-up time to data input (RD)	t _{AD1}	10,5t _{CL} -220	—	730	ns
Address set-up time to data input (PSEN)	t _{AD2}	7,5t _{CL} -200	—	460	ns
Address floating to $\overline{\text{RD}}$, $\overline{\text{WR}}$	t _{AFC1}	2t _{CL} -40	140	—	ns
Address floating to $\overline{\text{PSEN}}$ (note 3)	t _{AFC2}	0,5t _{CL} -40	10	—	ns
ALE to control pulse $\overline{\text{RD}}$, $\overline{\text{WR}}$	t _{L AFC1}	3t _{CL} -75	200	—	ns
ALE to control pulse $\overline{\text{PSEN}}$	t _{L AFC2}	1,5t _{CL} -75	60	—	ns
Control pulse to ALE					
$\overline{\text{RD}}$, $\overline{\text{WR}}$, $\overline{\text{PROG}}$	t _{CA1}	t _{CL} -40	50	—	ns
Control pulse to ALE					
$\overline{\text{PSEN}}$	t _{CA2}	4t _{CL} -40	320	—	ns
Port control set-up to $\overline{\text{PROG}}$	t _{CP}	1,5t _{CL} -80	50	—	ns
Port control hold to $\overline{\text{PROG}}$	t _{PC}	4t _{CL} -260	100	—	ns
$\overline{\text{PROG}}$ to Port 2 input must be valid	t _{PR}	8,5t _{CL} -120	—	650	ns
Input data hold time from $\overline{\text{PROG}}$	t _{PF}	1,5t _{CL}	0	150	ns
Output data set-up time	t _{DP}	6t _{CL} -290	250	140	ns
Output data hold time	t _{PD}	1,5t _{CL} -90	40	—	ns
$\overline{\text{PROG}}$ pulse duration	t _{PP}	10,5t _{CL} -250	700	—	ns
Port 2 I/O data set-up time to ALE	t _{PL}	4t _{CL} -200	160	—	ns
Port 2 I/O data hold time to ALE	t _{LP}	1,5t _{CL} -120	15	—	ns

AC CHARACTERISTICS (continued)

parameter	symbol	f(t _{CL}) (note 2)	11 MHz		unit
			min.	max.	
Port output from ALE	tpV	4,5t _{CL} +100	—	510	ns
T0 repetition rate	t _{OPRR}	3t _{CL}	270	—	ns
Cycle time	t _{CY}	15/f _{XTAL}	1,36	15	μs
MAF8048H/35HL; MAF8049H/39HL; MAF8050H/40HL					
Clock period (note 2)	t _{CL}	1/(f _{XTAL})	90,8	1000	ns

Notes to AC characteristics

- Control outputs: C_L = 80 pF.
Bus outputs: C_L = 150 pF.
- f(t_{CL}) assumes 50% duty cycle on XTAL 1 and XTAL 2; minimum frequency = 1 MHz.
- Bus high-impedance load: 20 pF.



A.C. testing inputs are driven at 2,4 V for a logic 1 and 0,45 V for a logic 0. Output timing measurements are taken 2,0 V for a logic 1 and 0,8 V for a logic 0.

Fig. 13 A.C. testing input, output waveform.

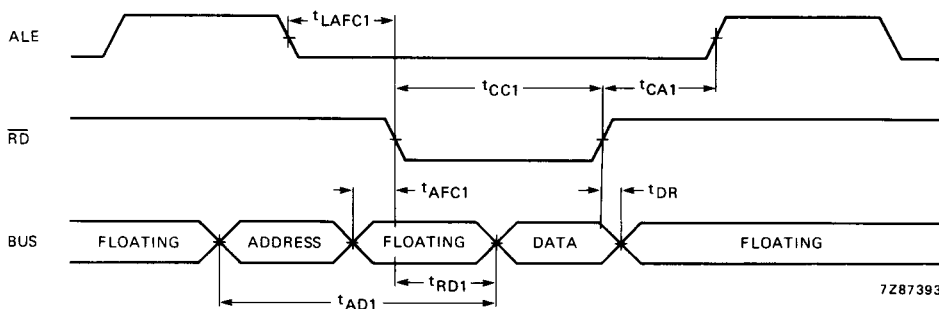


Fig. 14 Read from external data memory.

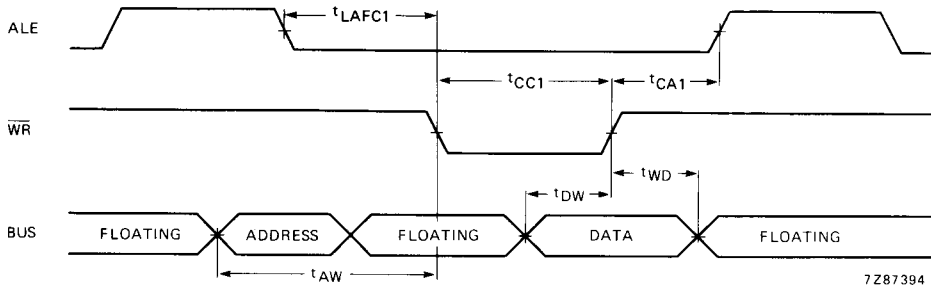


Fig. 15 Write to external memory.

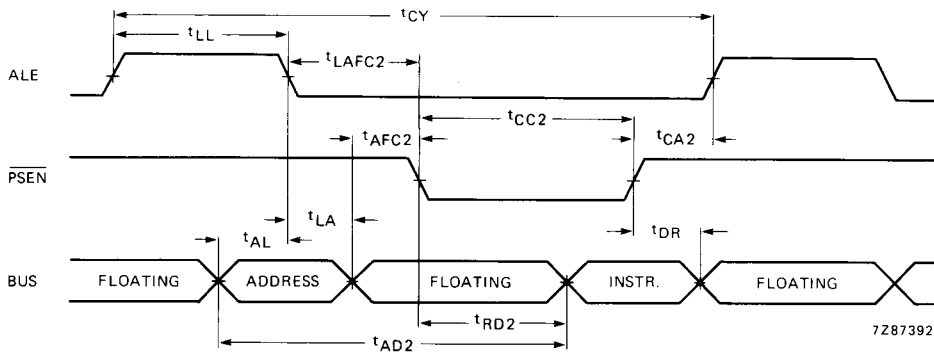


Fig. 16 Instruction fetch from program memory.

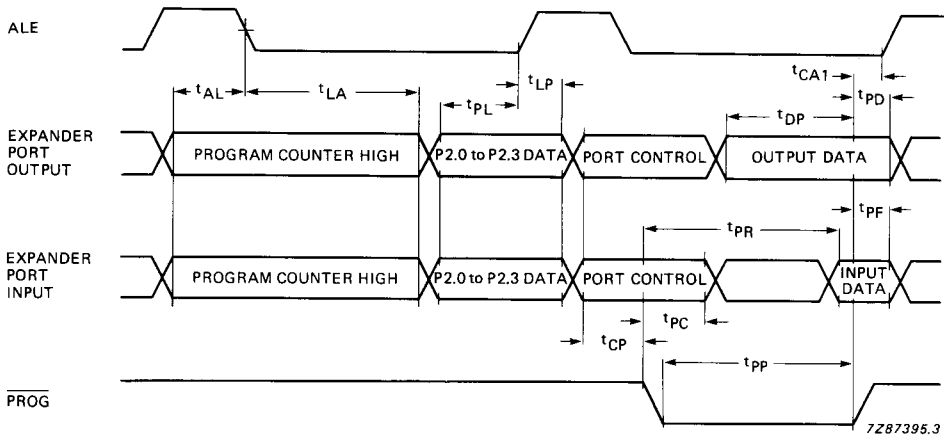
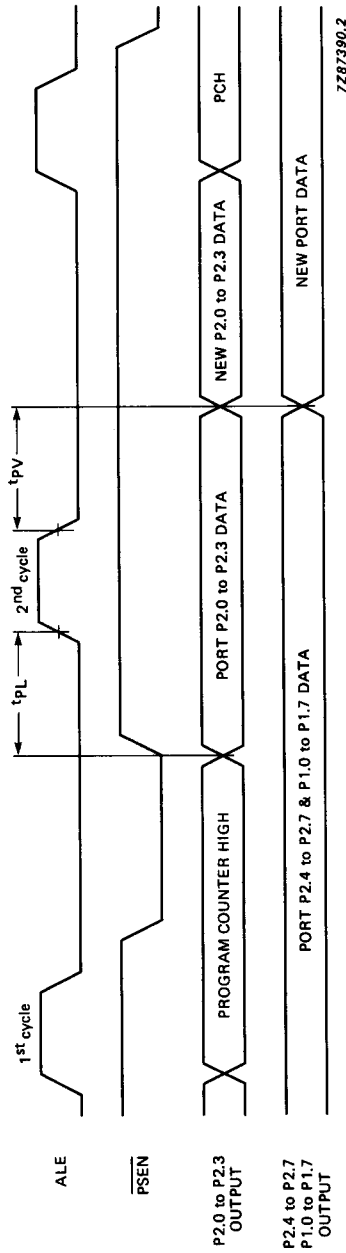


Fig. 17 Port 2 timing.



7287390.2

Fig. 18 I/O port timing.