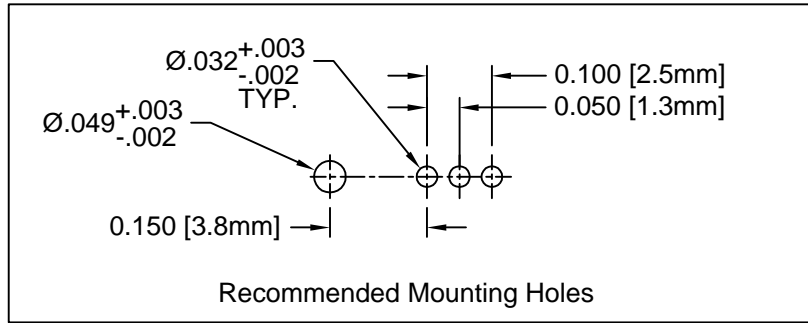
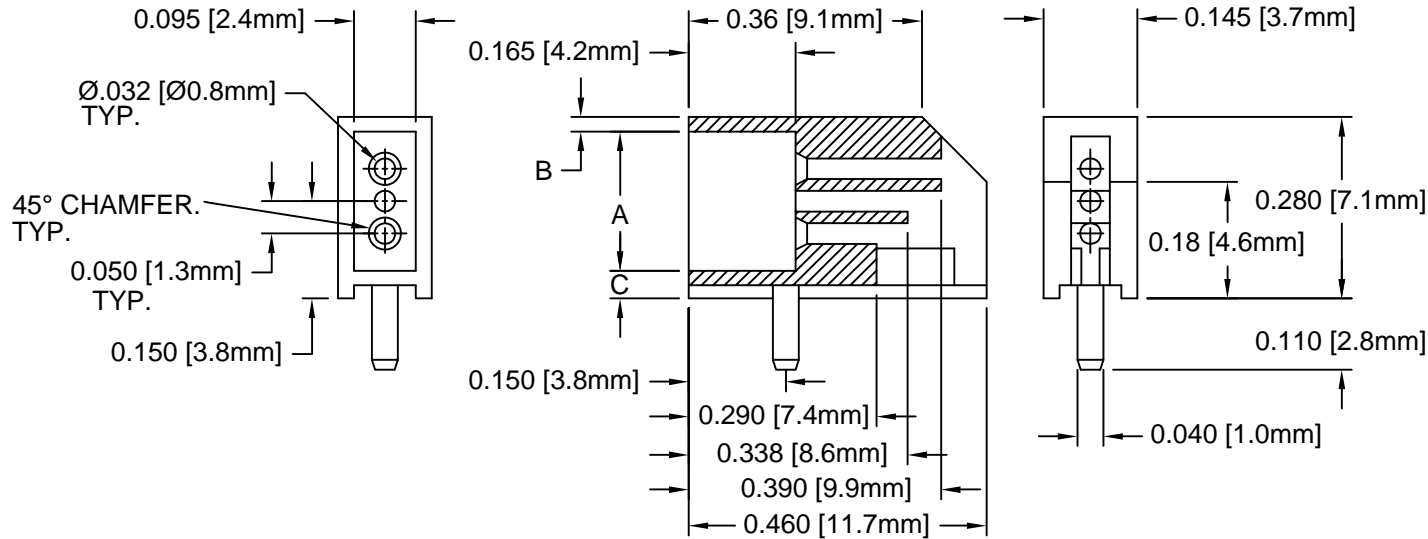

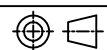


REV.	DESCRIPTION	DATE	APPROVED
A	Engineering Update w/o Changes	02/27/04	M. C.
B	Typo Correction.	04/04/06	M. C.



PART NO.	A	B	C
H-2RV-4	.160 (4.1mm)	.060 (1.3mm)	.070 (1.8mm)
H-2RV-5	.215 (5.5mm)	.022(.6mm)	.043 (1.1mm)

2. MATERIAL: NYLON 6/6, 94V-0, BLACK. BIVAR MATERIAL CODE 22-BK.
RTP POLYAMIDE NYLON 6/6, 0200 FR, BLACK OR MODIFIED PLASTICS MN6/6-SE BK.
1. GENERAL SPECIFICATIONS: BIVAR MOLDED COMPONENT SPECIFICATION BV00-E101.

STANDARD TOLERANCE (UNLESS OTHERWISE SPECIFIED)		 4 THOMAS, IRVINE, CA. 92618 TEL: (949) 951-8808 FAX: (949) 951-3974	
DECIMALS	ANGULAR		
.X ± .1	X° ± 1°	 TITLE: MULTIPLE SIZE RECTANGULAR LED HOLDER BI-LEAD / TRI-LEAD	
.XX ± .01			
.XXX ± .005			
DESIGNED: Shane Irving	DATE: 10/22/99	PART NO: H-2RV-X	REVISION: B
CHECKED: D. Green	DATE: 02/27/04	CAGE CODE : 32559	SHEET # 1 OF 1
CAD GENERATED DOCUMENT, DO NOT MEASURE DRAWING.			