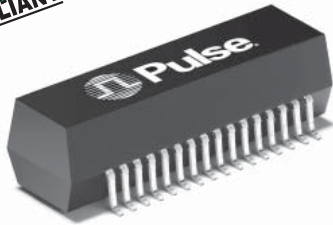


# T3/DS3/E3/STS-1 TRANSFORMERS

## Eight Transformers Designed for T3, DS3, E3 and STS-1 Interface



- ⊕ RoHS peak reflow temperature rating 245°C
- ⊕ Eight transformers in a surface mount package
- ⊕ Models matched to leading transceiver ICs
- ⊕ Return loss meets requirements of G.703
- ⊕ Recognized by UL1950 (some parts pending approval)
- ⊕ Isolation voltage: 1500 Vrms

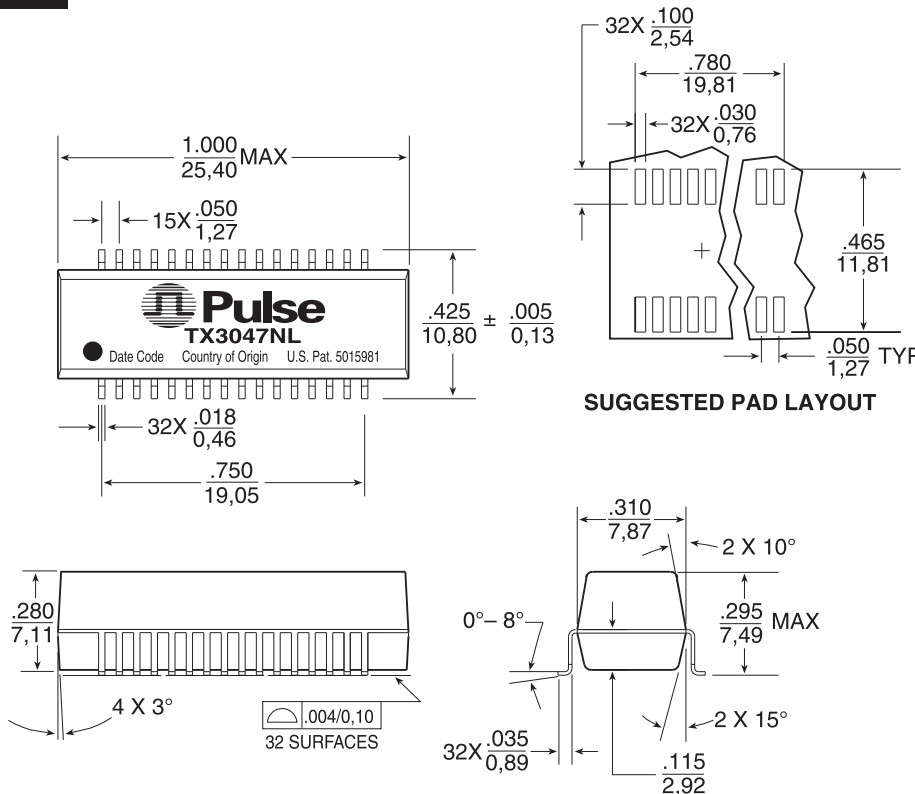
### Electrical Specifications @ 25°C

RoHS-6 Compliant Part Number <sup>1</sup>	Turns Ratio (Pri:Sec ±2%)	OCL Primary @ 25°C (μH MIN)	LL (μH MAX)	C <sub>w/w</sub> (pF MAX)	Isolation Voltage (Vrms MIN)	Package/ Schematic	Primary Pins
TX3047NL <sup>2</sup>	1:1	100	.150	10	1500	YB/1	1-2, 3-4, 5-6, 7-8 9-10, 11-12, 13-14, 15-16

1. For Tape & Reel packaging, add a "T" suffix to the part number when ordering (e.g. T3047NL becomes T3047NLT).
2. **NOTE:** Operating Temperature Range: -40°C to +85°C.

## Mechanical

**YB**



**SUGGESTED PAD LAYOUT**

Weight .....2.7 grams  
Tape & Reel ..... 200/reel  
Tube ..... 20/tube

Dimensions: Inches  
mm  
Unless otherwise specified,  
all tolerances are ± .010  
0,25

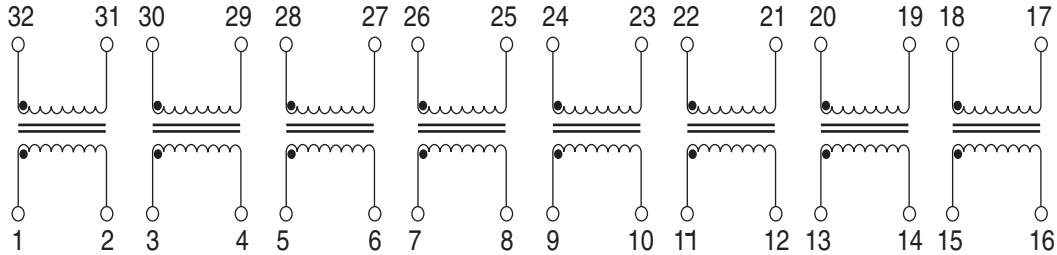
# T3/DS3/E3/STS-1 TRANSFORMERS

## Eight Transformers Designed for T3, DS3, E3 and STS-1 Interface



### Schematic

1



### For More Information:

#### Pulse Worldwide Headquarters

12220 World Trade Dr.  
San Diego, CA 92128  
U.S.A.

[www.pulseeng.com](http://www.pulseeng.com)

Tel: 858 674 8100  
Fax: 858 674 8262

#### Pulse Europe

Einsteinstrasse 1  
D-71083 Herrenberg  
Germany

Tel: 49 7032 7806 0  
Fax: 49 7032 7806 135

#### Pulse China Headquarters

B402, Shenzhen Academy of  
Aerospace Technology Bldg.  
10th Kejinan Rd.  
High-Tech Zone  
Nanshan District  
Shenzhen, PR China 518057

TEL: 86 755 33966678  
FAX: 86 755 33966700

#### Pulse North China

Room 1503  
XinYin Building  
No. 888 YiShan Rd.  
Shanghai 200233  
China

Tel: 86 21 54643211/2  
Fax: 86 21 54643210

#### Pulse South Asia

135 Joo Seng Rd.  
#03-02  
PM Industrial Bldg.  
Singapore 368363

TEL: 65 6287 8998  
FAX: 65 6280 0080

#### Pulse North Asia

No. 26, Kao Ching Rd.  
Yang Mei Chen  
Taoyuan Hsien  
Taiwan  
R. O. C.

Tel: 886 3 4643715  
Fax: 886 3 4641911

Performance warranty of products offered on this data sheet is limited to the parameters specified. Data is subject to change without notice. Other brand and product names mentioned herein may be trademarks or registered trademarks of their respective owners.

© Copyright, 2009. Pulse Engineering, Inc. All rights reserved.