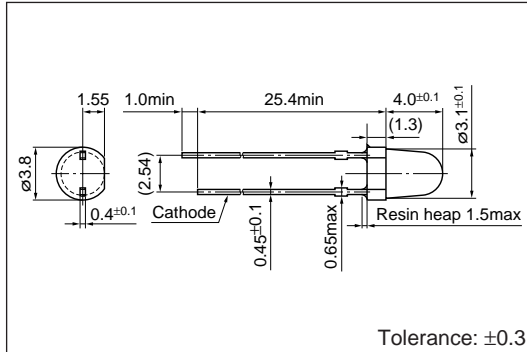


# 3 $\phi$ Round Narrow-directivity LED

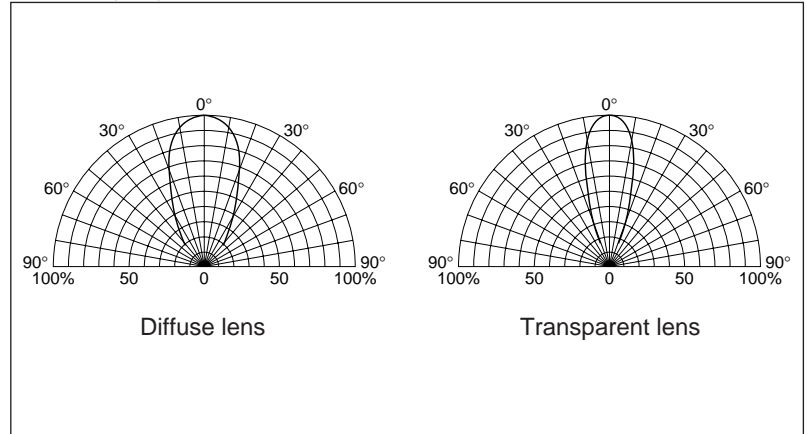
## SEL2015 Series

### External Dimensions

(Unit: mm)



### Directivity (Typical)



### Absolute maximum ratings (Ta=25°C)

Symbol	Unit	Rating	Condition
I <sub>F</sub>	mA	30	
$\Delta I_F$	mA/°C	-0.45	Above 25°C
I <sub>FP</sub>	mA	100	f=1kHz, tw≤100μs
V <sub>R</sub>	V	3	
Top	°C	-30 to +85	
T <sub>stg</sub>	°C	-30 to +100	

### Electrical Optical characteristics (Ta=25°C)

Emitting color	Part Number	Lens color	Forward voltage		Reverse current		Intensity		Peak wavelength		Spectrum half width		Chip material					
			V <sub>F</sub>		I <sub>R</sub>	V <sub>R</sub>	I <sub>v</sub>	I <sub>F</sub>	λ <sub>P</sub>	Δλ	I <sub>F</sub>							
			typ	max								Condition I <sub>F</sub>		Condition I <sub>R</sub>	Condition I <sub>v</sub>	Condition I <sub>F</sub>	Condition Δλ	Condition I <sub>F</sub>
Red	SEL2215S	Transparent red	1.9	2.5	10	50	3	45	20	630	10	35	10	GaAsP				
	SEL2215R	Diffused red						38										
Amber	SEL2815A	Transparent orange	1.9	2.5	10	50	3	80	10	610	10	35	10		GaAsP			
	SEL2815D	Diffused orange						60										
Orange	SEL2915A	Transparent orange	1.9	2.5	10	50	3	81	10	587	10	33	10			GaP		
	SEL2915D	Diffused orange						53										
Yellow	SEL2715K	Transparent yellow	2.0	2.5	10	50	3	130	10	570	10	30	10				GaP	
	SEL2715Y	Diffused yellow						110										
Green	SEL2415E	Transparent green	2.0	2.5	10	50	3	110	20	560	10	20	10					GaP
	SEL2415G	Diffused green						72										
Pure green	SEL2515C	Clear	2.0	2.5	10	50	3	52	20	555	10	20	10					