

# DT Series Miniature Double Pole Rocker Switches

**NEW!**



## Features/Benefits

- Illuminated versions available
- Double pole switching in miniature package
- Snap-in mounting
- RoHS compliant

## Typical Applications

- Small appliances
- Computers and peripherals
- Medical instrumentation



## Specifications

### CONTACT RATING:

UL/CSA: 8 AMPS @ 125 VAC, 4 AMPS @ 250 VAC  
VDE: 10 AMPS @ 125 VAC, 6 AMPS @ 250 VAC.

QH version: 16 AMPS @ 125 VAC, 10 AMPS @ 250 VAC

ELECTRICAL LIFE: 10,000 make and break cycles at full load.

INSULATION RESISTANCE: 10<sup>9</sup> Ω min.

DIELECTRIC STRENGTH: 1,500 VRMS @ sea level.

OPERATING TEMPERATURE: -20°C to +85°C

## Materials

HOUSING AND ACTUATOR: 6/6 nylon (UL94V-2), black, matte finish.

ILLUMINATED ACTUATOR: Polycarbonate, matte finish.

CENTER CONTACTS: Silver plated, copper alloy.

END CONTACTS: Silver plated AgCdo.

ALL TERMINALS: Silver plated, copper alloy.

**NOTE:** For the latest information regarding RoHS compliance, please go to: [www.ittcannon.com/rohs](http://www.ittcannon.com/rohs).

**NOTE:** Specifications and materials listed above are for switches with standard options. For information on specific and custom switches, consult Customer Service Center.

## Build-A-Switch

To order, simply select desired option from each category and place in the appropriate box. Available options are shown and described on pages H-67 through H-70. For additional options not shown in catalog, consult Customer Service Center.

|  |  |
|--|--|
| <p><b>Switch Function</b></p> <p><b>DT12</b> SPST On-None-Off</p> <p><b>DT22</b> DPST On-None-Off</p> <p><b>Actuator</b></p> <p><b>J1</b> Rocker</p> <p><b>J2</b> Two-tone rocker</p> <p><b>J3</b> Illuminated rocker</p> <p><b>Actuator Color</b></p> <p><b>2</b> Black</p> <p><b>1</b> White</p> <p><b>3</b> Red</p> <p><b>R</b> Red, illuminated</p> <p><b>A</b> Amber, illuminated</p> <p><b>G</b> Green, illuminated</p> <p><b>Mounting Style/Color</b></p> <p><b>S2</b> Snap-in, black</p> <p><b>S1</b> Snap-in, white</p> <p><b>B2</b> Recessed snap-in bracket, black</p> <p><b>G2</b> Guard, black</p> <p><b>Termination</b></p> <p><b>15</b> .187" quick connect</p> <p><b>02</b> PC Thru-hole</p> <p><b>A</b> Right angle, PC thru-hole</p> <p><b>Actuator Marking</b></p> <p><b>(NONE)</b> No marking</p> <p><b>D</b> ON-OFF</p> <p><b>H</b> "O I" - international ON-OFF</p> <p><b>N</b> Large dot</p> <p><b>P</b> "O -" international ON-OFF</p> <p><b>Contact Rating</b></p> <p><b>QA</b> Silver (UL/CSA)</p> <p><b>QF</b> Silver (VDE)*</p> <p><b>QH</b> Silver (High current)*</p> <p><b>Lamp Rating</b></p> <p><b>(NONE)</b> No lamp</p> <p><b>7</b> 125 VAC neon</p> <p><b>8</b> 250 VAC neon</p> |  |
|--|--|

\* QF available with termination 15 only.

Rocker



Dimensions are shown: Inch (mm)  
Specifications and dimensions subject to change



# DT Series Miniature Double Pole Rocker Switches

## ACTUATOR COLOR



| OPTION CODE | ACTUATOR COLOR     |
|-------------|--------------------|
| <b>2</b>    | BLACK              |
| <b>1</b>    | WHITE              |
| <b>3</b>    | RED                |
| <b>R</b>    | RED, ILLUMINATED   |
| <b>A</b>    | AMBER, ILLUMINATED |
| <b>G</b>    | GREEN, ILLUMINATED |

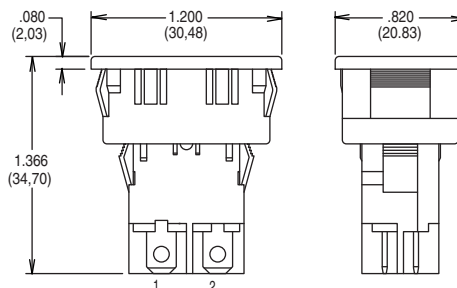
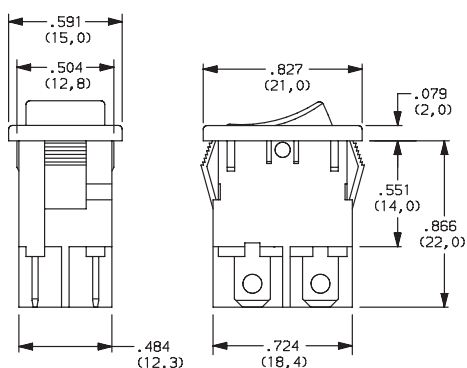
## MOUNTING STYLE/COLOR



**S2** SNAP-IN, BLACK

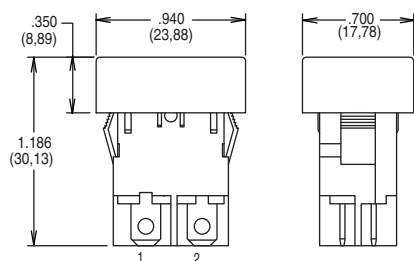
**S1** SNAP-IN, WHITE

**B2** RECESSED SNAP-IN BRACKET, BLACK

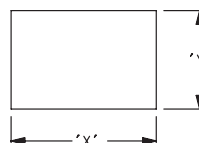


**NOTE:** Available with DT102 switch functions only.

**G2** GUARD, BLACK



### PANEL MOUNTING



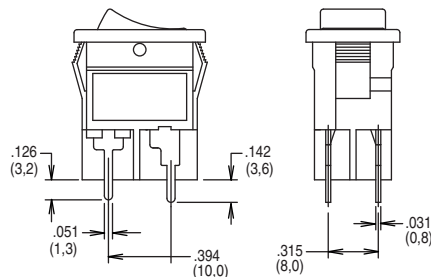
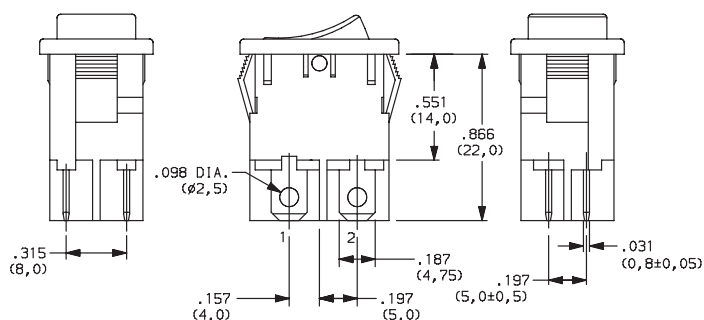
| PANEL THICKNESS         | "X"                   | "Y"                   |
|-------------------------|-----------------------|-----------------------|
| 0.030-0.049 (0,75-1,25) | 0.756-.004 (19,2-0,1) | 0.512+.004 (13,0+0,1) |
| 0.049-0.079 (1,25-2,0)  | 0.764-.004 (19,4-0,1) | 0.512+.004 (13,0+0,1) |
| 0.079-0.118 (2,0-3,0)   | 0.780-.004 (19,8-0,1) | 0.512+.004 (13,0+0,1) |

## TERMINATION

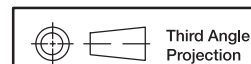


**15** .187" QUICK CONNECT

**02** PC THRU-HOLE



**NOTE:** No VDE approval of this option.



Dimensions are shown: Inch (mm)  
 Specifications and dimensions subject to change

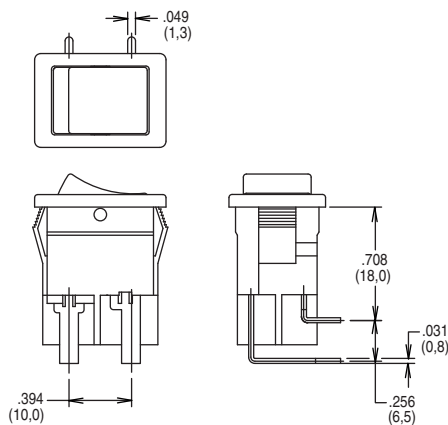
Rocker



# DT Series Miniature Double Pole Rocker Switches

## TERMINATION

**A** RIGHT ANGLE, PC THRU-HOLE



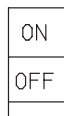
**NOTE:** No VDE approval of this option.

## ACTUATOR MARKING

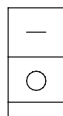
**NONE** NO MARKING



**D** ON-OFF



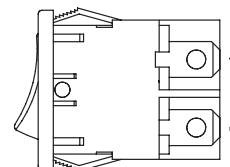
**H** O-I



**N** LARGE DOT



**P** O-



**NOTE:** Orientation of actuator marking and terminals.

## CONTACT MATERIAL

| OPTION CODE | RoHS COMPLIANT * | RoHS COMPATIBLE * | CONTACT AND TERMINAL MATERIAL | RATINGS |   |
|-------------|------------------|-------------------|-------------------------------|---------|---|
|             |                  |                   |                               | POWER   | 8 AMPS @ 125 VAC; 4 AMPS @ 250 VAC (UL/CSA) |
| <b>QA</b>   | YES              | YES               | SILVER                        | POWER   | 8 AMPS @ 125 VAC; 4 AMPS @ 250 VAC (UL/CSA) |
| <b>QF*</b>  | YES              | YES               | SILVER                        | POWER   | 10 AMPS @ 125 VAC; 6 AMPS @ 250 VAC (VDE)   |
| <b>QH*</b>  | YES              | YES               | SILVER                        | POWER   | 16 AMPS @ 125 VAC; 10 AMPS @ 250 VAC        |

\*1 QF available with termination 15 only.

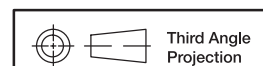
**NOTE:** For the latest information regarding RoHS compliance, please go to: [www.ittcannon.com/rohs](http://www.ittcannon.com/rohs).

## LAMP RATING

**(NONE)** NO LAMP

**7** 125 VAC 33kΩ NEON

**8** 250 VAC 150kΩ NEON



Dimensions are shown: Inch (mm)  
Specifications and dimensions subject to change

