

DC-AC INVERTER UNIT

PS-DA0253-124(S) (8 W DUAL OUTPUTS)

(PRELIMINARY INFORMATION)

DESCRIPTION :

This low profile DC to AC Inverter is developed for dual lamps.
Optimized for **Sharp: LQ104S1DG21 and LQ121S1LW01**

APPLICABLE LCD:

- 10 to 15 inches dual lamp type
- Lamp Voltage 466 Vrms
- Lamp Current 2 x 6.0 mArms
- Lamp Start Up Voltage 1.700 Vrms (Vin : 12 Vdc)



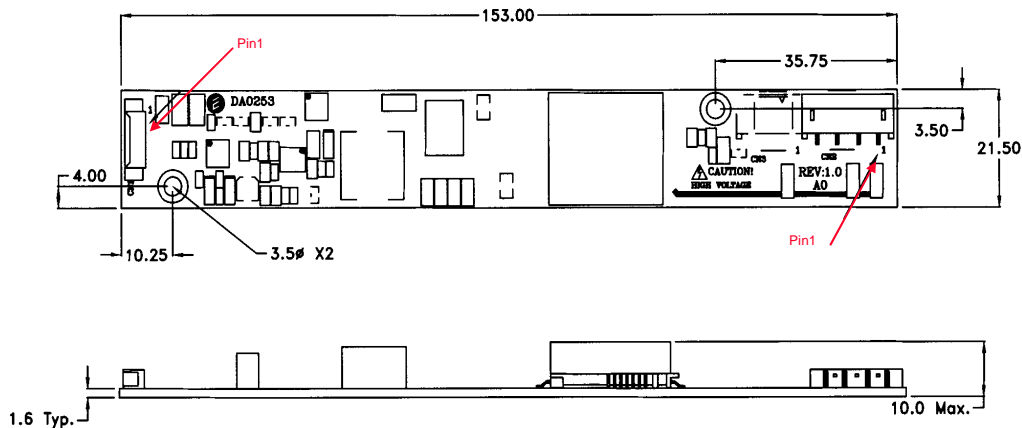
FEATURES :

- Input Voltage: 9.6 ~ 14.4 Vdc
- Current Feedback Circuit
- High Efficiency
- Low noise with voltage resonant circuit
- Regulated output current
- RoHS compliant (S)
- Coating on request

TEMPERATURE & HUMIDITY :

- Operating Temperature Range -10°C ~ +65°C
- Storage Temperature Range -30°C ~ +85°C
- Humidity 95 %RH max

DIMENSIONS : L x W x H 153 x 22 x 10 mm



Unit : mm
Weight :40 (g) typ.

Note: Please use plastic screw in case of a non-insulating mounting base!

Components

No.	Part Description	Qty.	Material	Note
1	PCB	1	UL94V-0 (FR-4 or CEM-3)	1,6 mm
2	Connector CN1	1	53261-0790	Molex or equal
3	Connector CN2	1	SM04(4.0)B-BHS-1-TB	JST or equal

Power Systems – The Power Solution

Web: www.Power-Systems.de
Email: Info@Power-Systems.de

Address: Hauptstr. 48 ; 74360 Ilsfeld-Auenstein / Germany
Tel. : + 49 / 70 62 / 67 59 - 6
Fax: + 49 / 70 62 / 67 59 - 800

DC-AC INVERTER UNIT

PS-DA0253-124(S) (8 W DUAL OUTPUTS)

(PRELIMINARY INFORMATION)

Input side CN1:

Pin No.	Symbols	Ratings
CN 1-1+2	Vin	9.6 ~ 14.4 Vdc
CN 1-3+4	GND	-
CN 1-5	Vrmt	0 ~ 0.4 = OFF / 2.5 ~ Vin = ON
CN 1-6	N.C.	-
CN 1-7	Vbr	0 ~ 2.5 Vdc

Output side CN2:

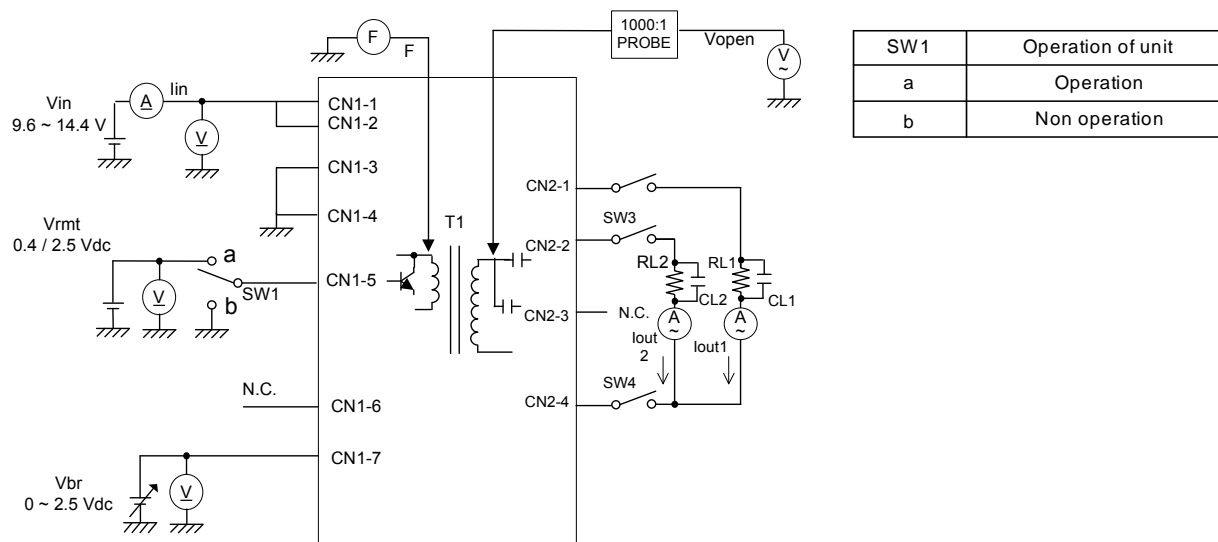
Pin No.	Symbols	Ratings
CN 2-1	Vhigh	466 Vrms (6.0 mArms)
CN 2-2	Vhigh	466 Vrms (6.0 mArms)
CN 2-3	N.C.	-
CN 2-4	Vlow	(GND)

ELECTRICAL CHARACTERISTICS :

Parameters	Symbols	Conditions			Specification			Unit	Note
		Vin (V)	Vbr (V)	Tu (°C)	Min.	Typ.	Max.		
Output Current	Iout	9.6~14.4	0.0	-10 ~ +65	5.5	6.0	6.5	mArms	Duty 100%
Output Current	Iout	9.6~14.4	2.5	-10 ~ +65	1.5	2.0	2.5	mArms	
Input Current	Iin	9.6~14.4	0.0	-10 ~ +65	-	0.75	1.0	Adc	
Frequency	F	9.6~14.4	0.0	-10 ~ +65	35	40	45	kHz	
Open Circuit Voltage	Vopen	10.8	0.0	-10 ~ +65	1.500	1.700	-	Vrms	
No Load Shutdown	Tsd	9.6~14.4	0.0	-10 ~ +65	-	1.0	-	sec	without load

- Note 1 : Please keep minimum of 2mm clearance (all directions) between inverter high voltage area as marked on mechanical drawing and any conductors.
 Note 2 : Open circuit on all lamps for more than 3 seconds, will shut the inverter down.

TEST CIRCUIT :



Power Systems – The Power Solution

Web: www.Power-Systems.de
 Email: Info@Power-Systems.de

Address: Hauptstr. 48 ; 74360 Ilsfeld-Auenstein / Germany
 Tel. : + 49 / 70 62 / 67 59 - 6
 Fax: + 49 / 70 62 / 67 59 - 800