

PLEASE CHECK WWW.MOLEX.COM FOR LATEST PART INFORMATION

Part Number: **0190690108**
Status: **Active**
Description: Krimptite™ Ring Tongue Terminal for 14-16 AWG Wire

Documents:

[Drawing \(PDF\)](#) [RoHS Certificate of Compliance \(PDF\)](#)

Agency Certification

CSA LR18689
 UL E32244

General

Product Family Ring and Spade Terminals
 Series [19069](#)
 Crimp Quality Equipment Yes
 Mil-Spec N/A
 Product Name Krimptite™
 Type Ring

Physical

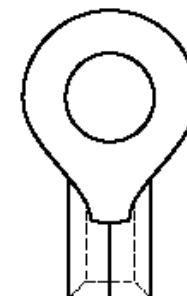
Barrel Type Closed
 Insulation None
 Material - Plating Mating Tin
 Packaging Type Adhesive Tape on Reel
 Stud Size 1/4" (M6)
 Wire Size AWG 14, 16
 Wire Size mm² 1.30 - 2.00

Material Info

Old Part Number BB-125-14T

Reference - Drawing Numbers

Sales Drawing SD-19069-013



*Series
 image - Reference only*

EU RoHS

**ELV and RoHS
 Compliant**
**REACH SVHC
 Contains SVHC: No**
**Halogen-Free
 Status
 Not Reviewed**

China RoHS



**Need more information on product
 environmental compliance?**

Email productcompliance@molex.com
 For a multiple part number RoHS Certificate of
 Compliance, [click here](#)

Please visit the [Contact Us](#) section for any
 non-product compliance questions.

Search Parts in this Series

[19069Series](#)

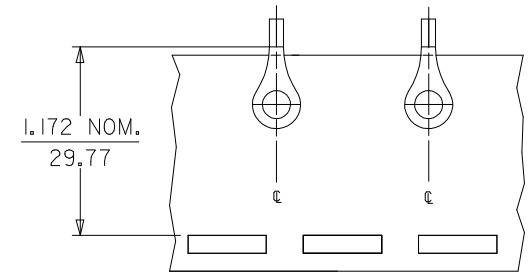
Application Tooling | [FAQ](#)

*Tooling specifications and manuals are
 found by selecting the products below.
 Crimp Height Specifications are then
 contained in the Application Tooling
 Specification document.*

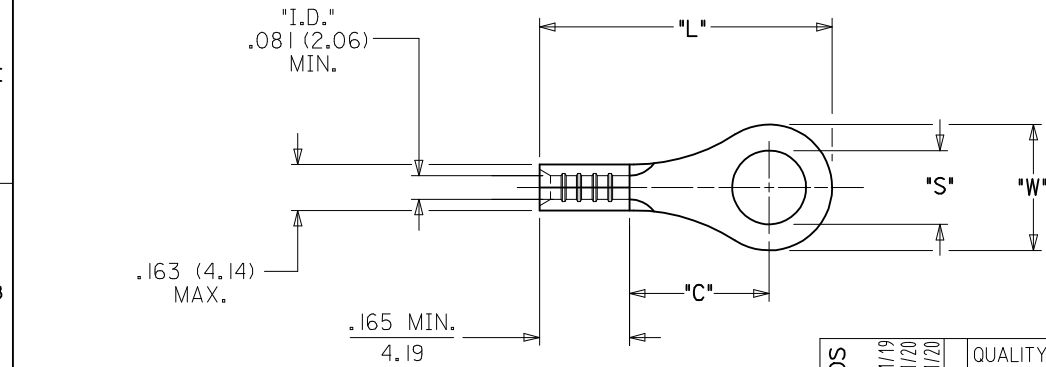
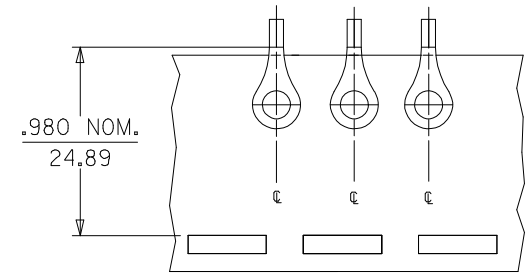
Global

Description	Product #
ATP Perishable Tool Kit used in ATP presses that process product on tape	0190270068
Mini-Mac™ Applicator, Air Feed Mylar Tape	0638853900

MATERIAL NO. LOOSE PIECE	ENG. NO.	MATERIAL NO. TAPE MOUNTED	ENG. NO.	STUD SIZE	±.003 "S"	"W" MAX.	"C" MIN.	"L" MAX.
190690091	BB-118-10	-----	-----	10	.198 (5.03)			
190690092	BB-118-14	190690133	BB-118-14T	14	.265 (6.73)	.544 (13.82)	.535 (13.59)	1.010 (25.65)
190690093	BB-118-38	190690094	BB-118-38T	38 (A1)	.390 (9.91)			
190690096	BB-118-56	190690097	BB-118-56T	56 (A1)	.328 (8.33)			
190690098	BB-123-02	190690134	BB-123-02T	2	.094 (2.39)			
190690099	BB-123-04	190690100	BB-123-04T	4	.119 (3.02)	.260 (6.60)	.209 (5.31)	.560 (14.22)
190690101	BB-123-06	190690102	BB-123-06T	6	.146 (3.71)			
190690103	BB-123-08	190690104	BB-123-08T	8	.173 (4.39)			
190690105	BB-125-10	190690106	BB-125-10T	10	.198 (5.03)	.477 (12.11)	.388 (9.86)	.837 (21.26)
190690107	BB-125-14	190690108	BB-125-14T	14	.265 (6.73)			
190690109	BB-125-56	190690110	BB-125-56T	56	.328 (8.33)			
190690112	BB-137-06	190690113	BB-137-06T	6	.146 (3.71)			
190690114	BB-137-08	190690115	BB-137-08T	8	.173 (4.39)	.322 (8.18)	.275 (6.98)	.645 (16.38)
190690116	BB-137-10	190690117	BB-137-10T	10	.198 (5.03)			
190690119	BB-139-04	-----	-----	4	.119 (3.02)	.352 (8.94)	.305 (7.75)	.696 (17.68)
190690120	BB-139-06	190690138	BB-139-06T	6	.146 (3.71)			
190690121	BB-139-08	190690122	BB-139-08T	8	.173 (4.39)			
190690123	BB-139-10	190690124	BB-139-10T	10	.198 (5.03)			



ENG. NO.
BB-118-**-** ONLY



- NOTE(S):**
- MATERIAL: COPPER (.031/0.79 THICK)
PLATING: ELECTROPLATE TIN
 - WIRE SIZE: 16-14 AWG
1.0 - 2.5 MM²
 - PARTS ARE ROHS COMPLIANT.

FIX SWAPPED STUDS
 EC NO: WNA2009-0338
 DRW: HETHRODAHL 2008/11/19
 CHKD: JMACNEIL 2008/11/20
 APPR: JMACNEIL 2008/11/20

QUALITY SYMBOLS
 ▽=0
 ▽=0

GENERAL TOLERANCES (UNLESS SPECIFIED)	
mm	INCH
4 PLACES ±---	±---
3 PLACES ±---	±.005
2 PLACES ±0.13	±.01
1 PLACE ±0.25	±---
ANGULAR ±---°	

DRAFT WHERE APPLICABLE
MUST REMAIN WITHIN DIMENSIONS

SALES DRAWING

DIMENSION STYLE IN/MM		SCALE ---	DESIGN UNITS INCH	THIRD ANGLE PROJECTION
DRAWN BY DLM	DATE 2003/02/21	TITLE RING TONGUE TERMINAL KRIMPTITE 16-14 AWG		
CHECKED BY SB	DATE 2003/02/21	MATERIAL NO. SD-19069-013		
APPROVED BY RWD	DATE 2003/02/21	SHEET NO. 1 OF 1		
MATERIAL NO. SEE CHART				
THIS DRAWING CONTAINS INFORMATION THAT IS PROPRIETARY TO MOLEX INCORPORATED AND SHOULD NOT BE USED WITHOUT WRITTEN PERMISSION				