

Product Features

- GaAs MMIC
- Very Low Distortion
- Guaranteed Broadband Power Gain
- Heat Sink 99.9% Copper, Ag or Gold Plate
- Excellent Thermal Conductivity
- Single Supply Voltage @ 24V
- Low DC Power Consumption
- No External Circuit needed

Application

- Drive Amplifier



Description

The RFC092 is specifically designed for up to 1GHz in frequency as amplifiers in BTS. This hybrid dynamic range amplifier module operates with a single voltage supply of 24V(DC).

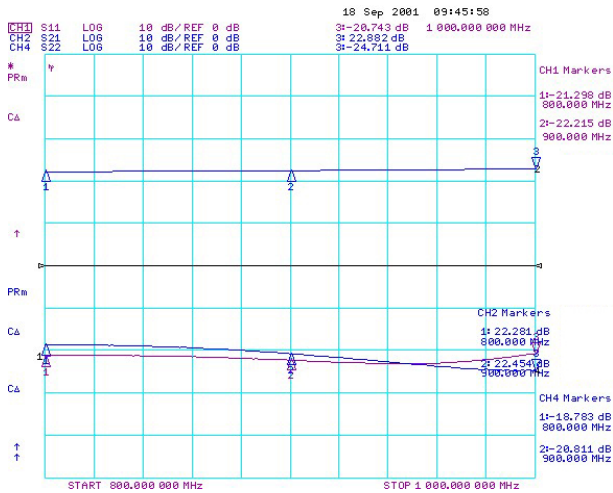
Specifications

Absolute Maximum Ratings			
PARAMETER	MIN	MAX	UNITS
V_{DD} / V_{RFOUT}	0	28	VDC
RF_{IN}	-	+22	dBm
Storage Temperature	-40	+100	°C
Operating Temperature	-20	+100	°C

Electrical Specifications (TA = +25 °C, VDD = 24V~28V)

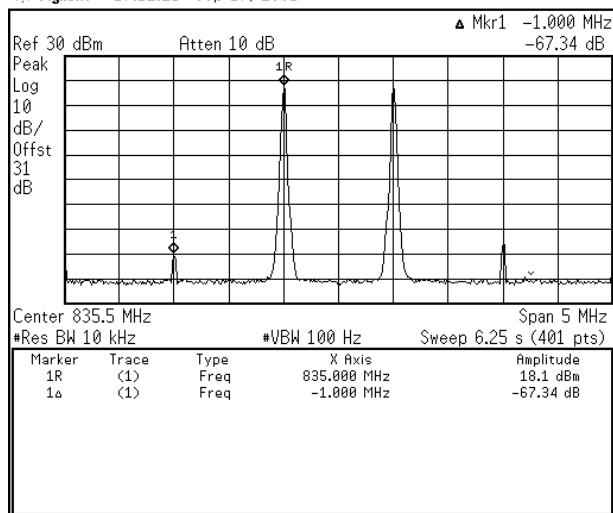
PARAMETER	RFC092		
	MIN	TYP	MAX
Bandwidth (MHz)	800	-	1000
Gain @ 870MHz (dB)		23	-
Gain Flatness @ 870MHz (dB)	-	-	±0.5
Input / Output VSWR		1.5 : 1	2.0 : 1
Output Power (dBm)	29	30	
IMD3 (dBc)	56	60	
CDMA (dBm) 29dBc @ 885kHz 44dBc @ 1.98MHz	1FA 22	24	
Noise Figure (dB) @ 870MHz		4	6
Supply Current (mA)	380	400	430

S-Parameter



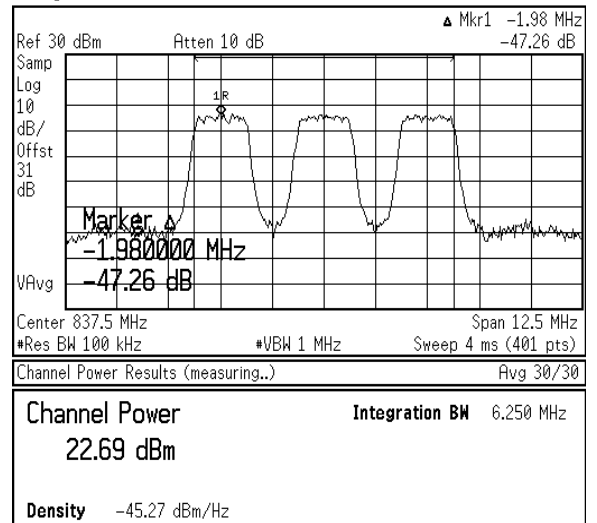
IMD3

Agilent 17:12:25 Sep 17, 2001



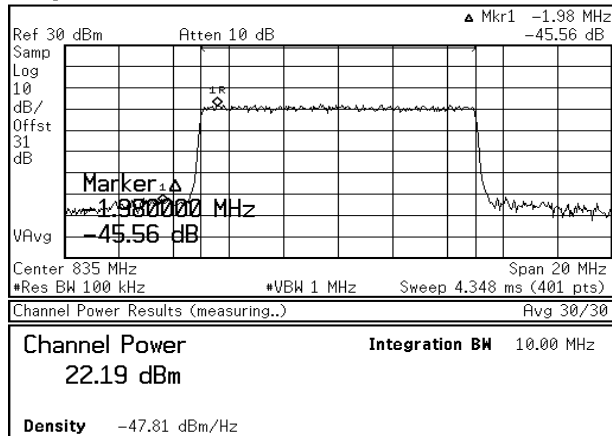
CDMA 3FA TEST

Agilent 16:52:47 Sep 17, 2001

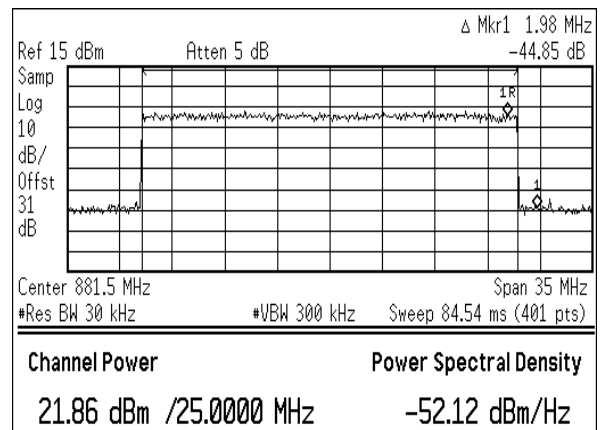


CDMA 8FA TEST

Agilent 16:30:33 Sep 17, 2001

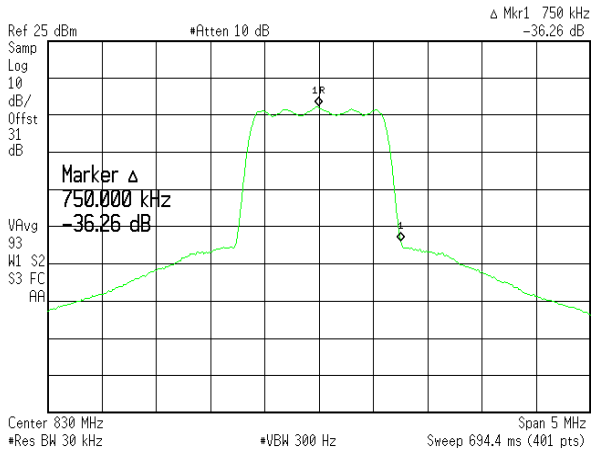


CDMA 20FA TEST

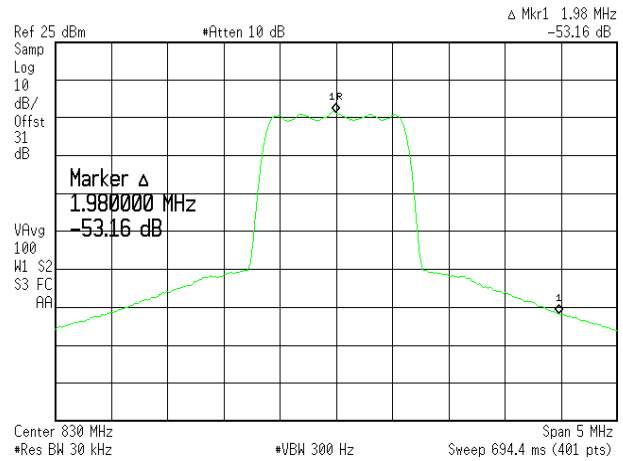


< 1FA Data : At Output Power 22.5dBm >

* Agilent 10:28:51 Jul 12, 2002

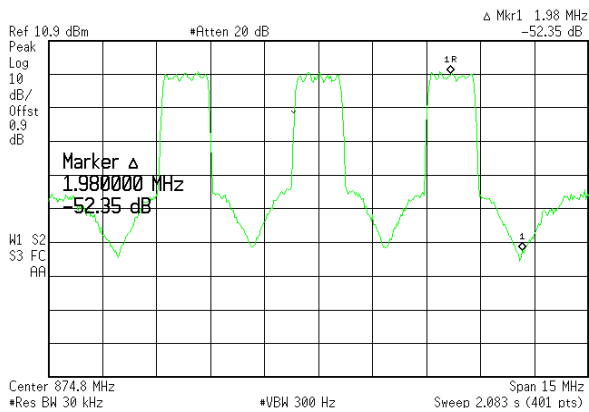


* Agilent 10:30:13 Jul 12, 2002

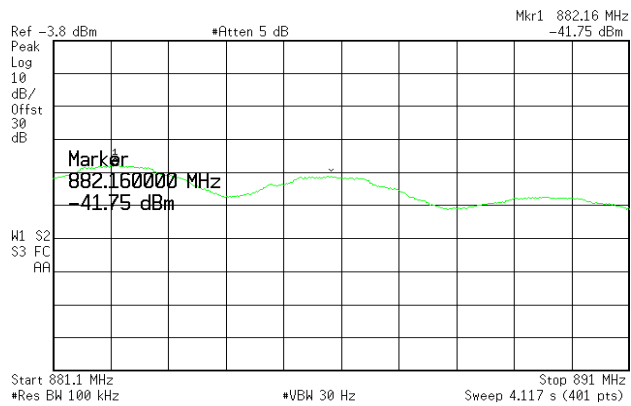


< 3FA Data : At Output Power 21.5dBm >

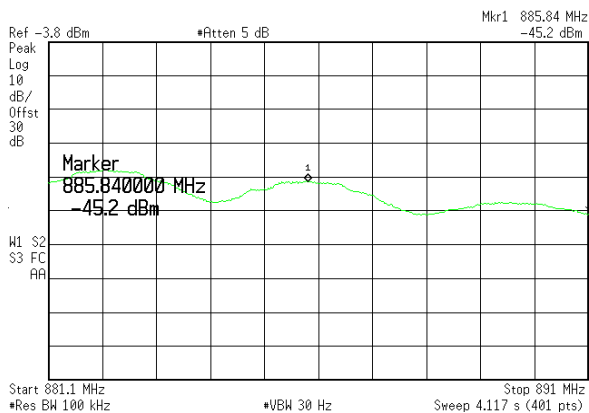
* Agilent 11:28:00 Jul 12, 2002



* Agilent 12:12:03 Jul 12, 2002



* Agilent 12:12:54 Jul 12, 2002

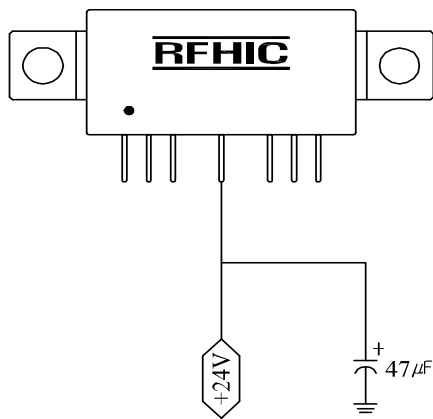


ESD PROTECTION

Gallium Arsenide Integrated Circuits are sensitive to electrostatic discharge (ESD) and can be damaged by static electricity. Proper ESD control techniques should be used when handling these devices. Some of the precautions recommended are;

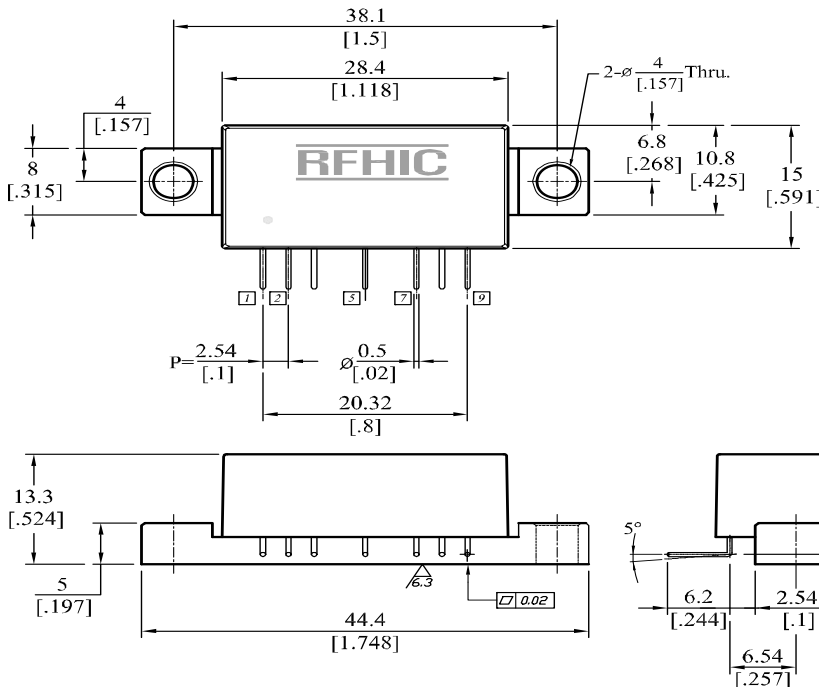
- Person at a workbench should be earthed via a wrist strap and a resistor.
- All mains-powered equipment should be connected to the mains via an earth-leakage switch.
- Equipment cases should be grounded.
- Relative humidity should be maintained between 40% and 50%.
- An ionizer is recommended.
- Keep static materials, such as plastic envelopes and plastic trays etc. away from the workbench.

NOTES FOR CORRECT USE



1. On the power input port (Pin#5), 47uF/35V capacitor GND is recommended.
2. The heat sink of CATV Hybrids is to be mounted in direct contact with the metal case of the equipment. Heat conducting grease should be applied to the module/equipment interface and the unit tightly secured.
3. Put the power off before adjusting in/output matching of the system.
4. The unit must have a common ground with the equipment and the analyzer.
5. Pay close attention to the input voltage not to over power the hybrid.
6. The space between bottom of socket and the tip of the lead is recommended to have space of 2mm+ to protect the pin
7. Do not open the plastic cover to change the matching inside the hybrid. Once opened, RFHIC will not be responsible for the hybrid.

Package Dimensions (Type: DP-27)



Unit : mm	Tolerance : ± 0.2
[inch]	-.008

Pin No.	Function
1	RF Input
2,3,7,8	Ground
5	Vcc
9	RF Output

RFHIC Corporation (RFHIC) reserves the right to make changes to any products herein or to discontinue any product at any time without notice. RFHIC do not assume any liability for the suitability of its products for any particular purpose, and disclaims any and all liability, including without limitation consequential or incidental damages. The product specifications herein expressed have been carefully checked and are assumed to be reliable. However, RFHIC disclaims liability for inaccuracies and strongly recommends buyers to verify that the information they are using is current before placing purchase orders. RFHIC products are not intended for use in life support equipment or application where malfunction of the product can be expected to result in personal injury or death. Buyer uses or sells such products for any such unintended or unauthorized application, buyer shall indemnify, protect and hold RFHIC and its directors, officers, stockholders, employees, representatives and distributors harmless against any and all claims arising out of such use. RFHIC's liability under or arising out of damages, claims of whatsoever kind and nature which RFHIC products could cause shall be limited in amount to the net purchase price of the products sold to buyer by RFHIC.