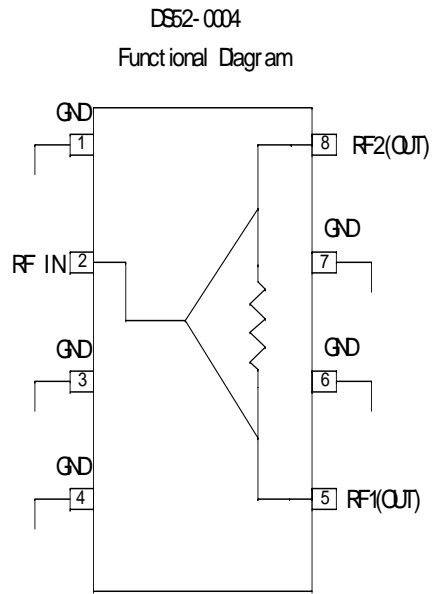


Absolute Maximum Ratings¹

Parameter	Absolute Maximum
Input Power ²	1 W CW
Operating Temperature	-40°C to +85°C
Storage Temperature	-65°C to +150°C

1. Exceeding these limits may cause permanent damage.
2. With Internal load dissipation of 0.125 W maximum.

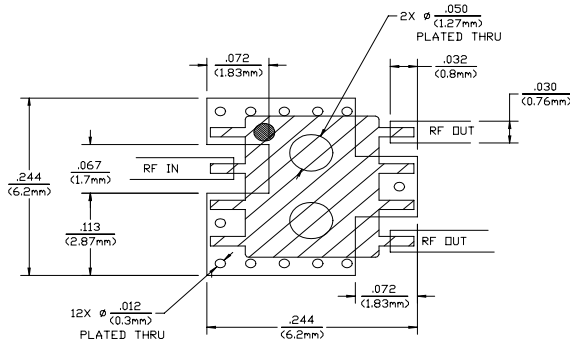
Functional Diagram³



Pins 1, 3, 4, 6 and 7 must be DC and RF grounded

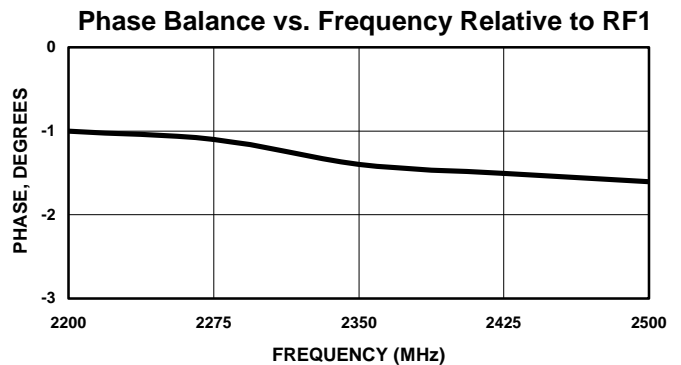
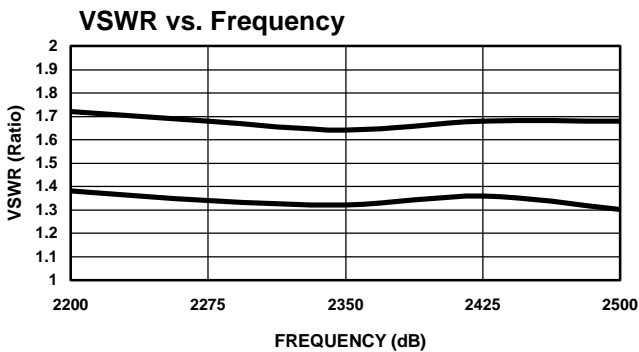
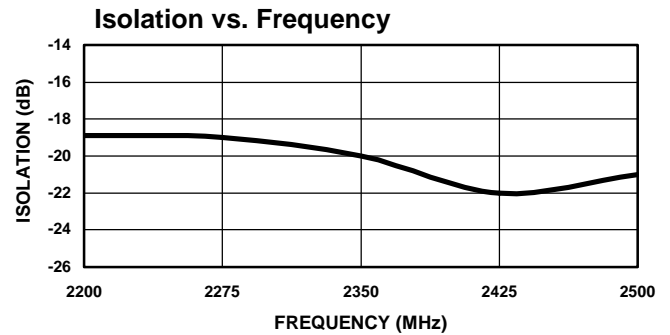
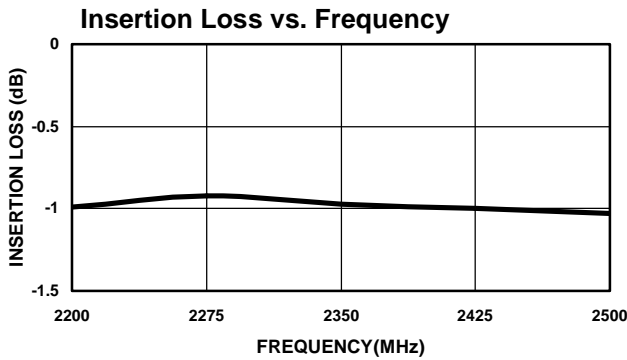
Recommended PCB Configuration

(Dimensions in Inches)



DS52-0001 PCB LAYOUT (SOIC-8 CASE)
SCALE: 1X
CIRCUIT MATERIAL: FR-4, .016 THICK
ALL RF PORTS ARE 50 OHMS

Typical Performance @ +25°C



Specifications subject to change without notice.

- North America: Tel. (800) 366-2266, Fax (800) 618-8883
- Asia/Pacific: Tel.+81-44-844-8296, Fax +81-44-844-8298
- Europe: Tel. +44 (1344) 869 595, Fax+44 (1344) 300 020

Visit www.macom.com for additional data sheets and product information.