

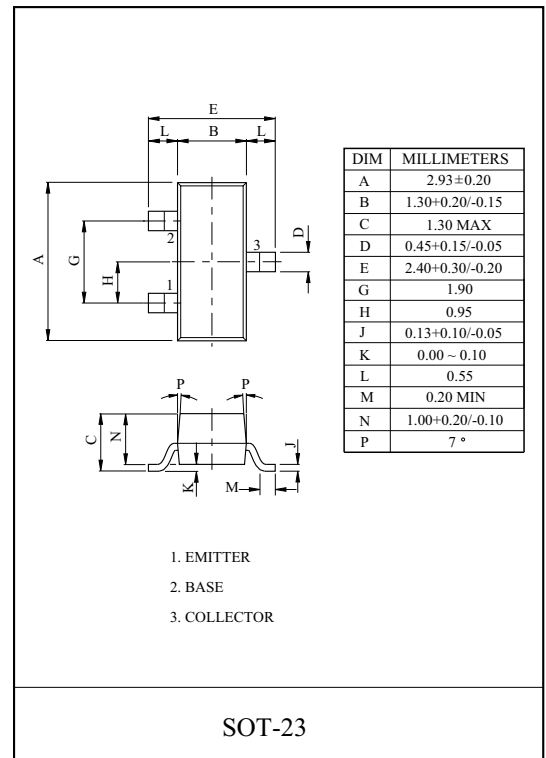
HIGH FREQUENCY LOW NOISE AMPLIFIER APPLICATION.  
VHF BAND AMPLIFIER APPLICATION.

### FEATURES

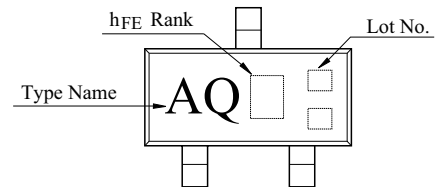
- Small Reverse Transfer Capacitance  
:  $C_{re}=0.7\text{pF(Typ.)}$
- Low Noise Figure :  $\text{NF}=2.5\text{dB(Typ.)}$  ( $f=100\text{MHz}$ ).

### MAXIMUM RATING ( $T_a=25^\circ\text{C}$ )

CHARACTERISTIC	SYMBOL	RATING	UNIT
Collector-Base Voltage	$V_{CBO}$	40	V
Collector-Emitter Voltage	$V_{CEO}$	30	V
Emitter-Base Voltage	$V_{EBO}$	4	V
Collector Current	$I_C$	20	mA
Emitter Current	$I_E$	-20	mA
Collector Power Dissipation	$P_C$	150	mW
Junction Temperature	$T_j$	150	$^\circ\text{C}$
Storage Temperature Range	$T_{stg}$	-55 ~ 150	$^\circ\text{C}$



### Marking



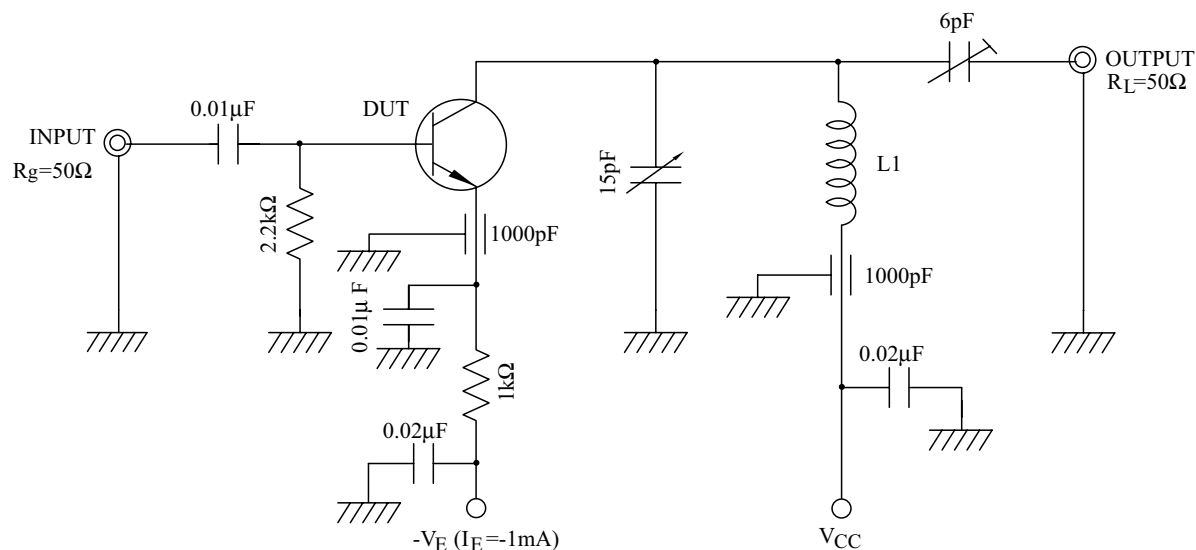
### ELECTRICAL CHARACTERISTICS ( $T_a=25^\circ\text{C}$ )

CHARACTERISTIC	SYMBOL	TEST CONDITION	MIN.	TYP.	MAX.	UNIT
Collector Cut-off Current	$I_{CBO}$	$V_{CB}=18\text{V}, I_E=0$	-	-	0.5	$\mu\text{A}$
Emitter Cut-off Current	$I_{EBO}$	$V_{EB}=4\text{V}, I_C=0$	-	-	0.5	$\mu\text{A}$
DC Current Gain	$h_{FE}$ (Note)	$V_{CE}=6\text{V}, I_C=1\text{mA}$	40	-	200	
Reverse Transfer Capacitance	$C_{re}$	$V_{CB}=6\text{V}, f=1\text{MHz}, I_E=0$	-	0.7	-	pF
Transition Frequency	$f_T$	$V_{CE}=6\text{V}, I_C=1\text{mA}$	300	550	-	MHz
Collector-Base Time Constant	$C_C \cdot r_{bb'}$	$V_{CB}=6\text{V}, I_E=-1\text{mA}, f=30\text{MHz}$	-	-	30	pS
Noise Figure	NF	$V_{CC}=6\text{V}, I_E=-1\text{mA}, f=100\text{MHz}$ (Fig.)	-	2.5	5.0	dB
Power Gain	$G_{pe}$		15	18	-	

Note :  $h_{FE}$  Classification R:40 ~ 80, O:70 ~ 140, Y:100 ~ 200

# KTC3880S

Fig.  $G_{pe}$  TEST CIRCUIT



L1 : 0.8mmΦ SILVER PLATED COPPER WIRE, 4Turns.  
10mm ID, 8mm Length.

y PARAMETERS (Typ.)

(1) COMMON EMITTER ( $V_{CE}=6V$ ,  $I_E=-1mA$ ,  $f=100MHz$ )

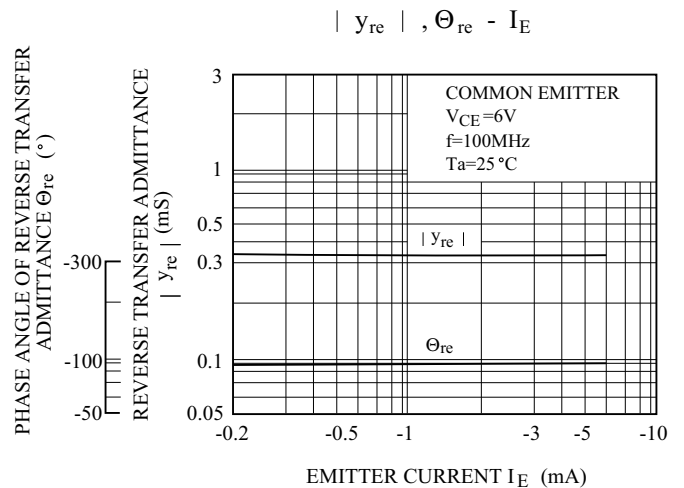
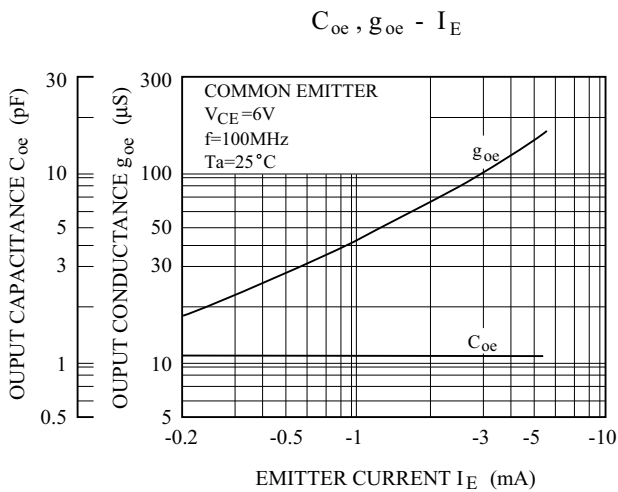
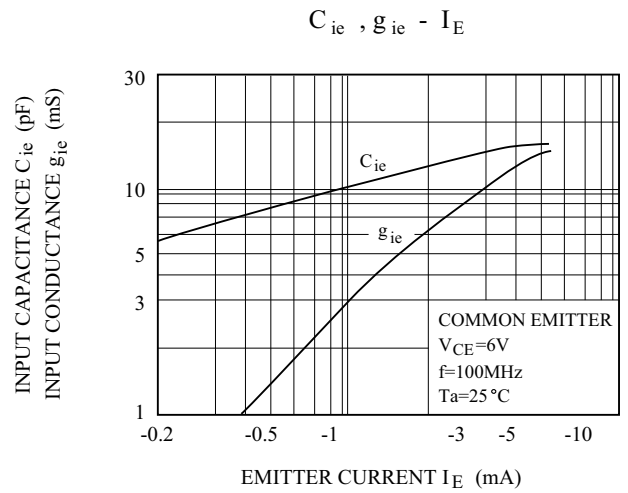
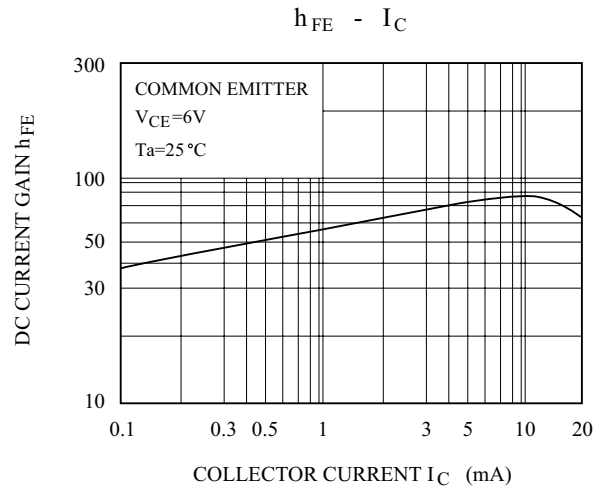
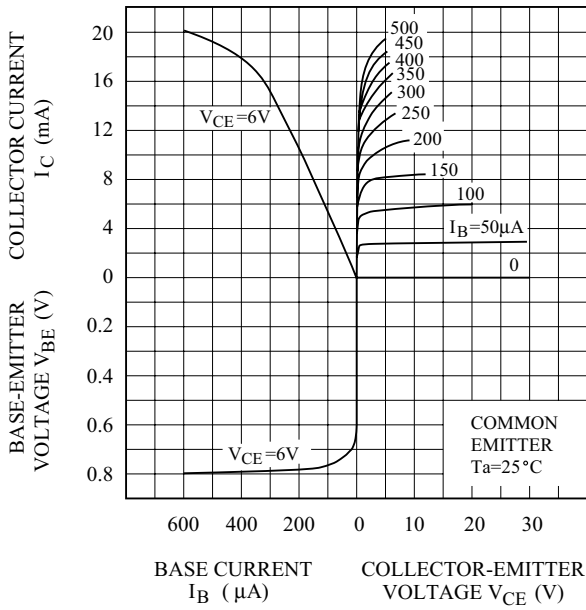
CHARACTERISTIC	SYMBOL	TYP.	UNIT
Input Conductance	$g_{ie}$	2.9	mS
Input Capacitance	$C_{ie}$	10.2	pF
Reverse Transfer Admittance	$ y_{re} $	0.33	$\mu S$
Phase Angle of Reverse Transfer Admittance	$\theta_{re}$	-90	°
Forward Transfer Admittance	$ y_{fe} $	40	mS
Phase Angle of Forward Transfer Admittance	$\theta_{fe}$	-20	°
Output Conductance	$g_{oe}$	45	$\mu S$
Output Capacitance	$C_{oe}$	1.1	pF

(2) COMMON BASE ( $V_{CE}=6V$ ,  $I_E=-1mA$ ,  $f=100MHz$ )

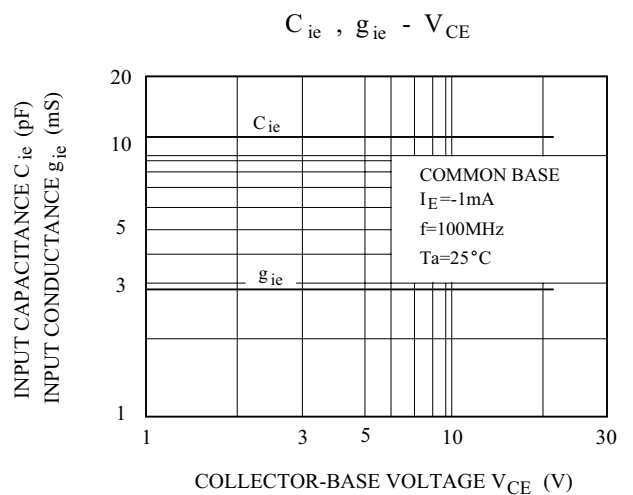
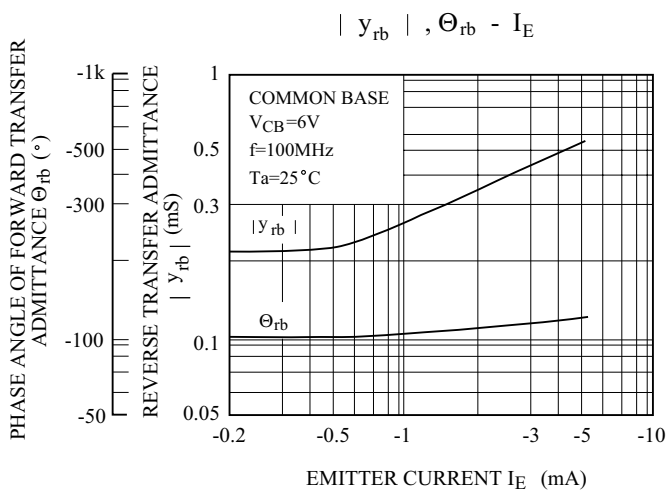
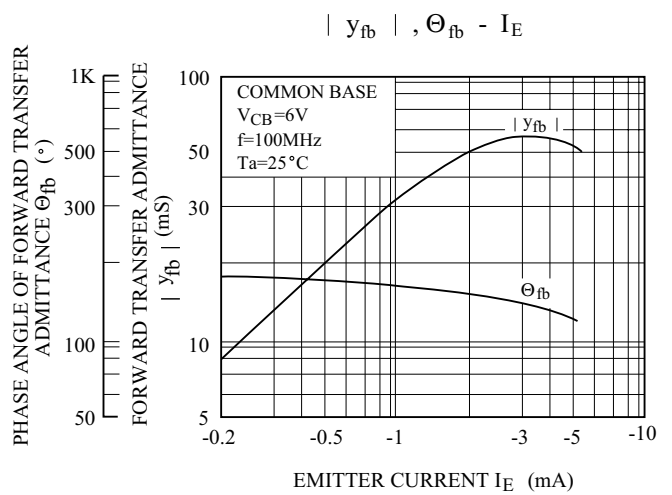
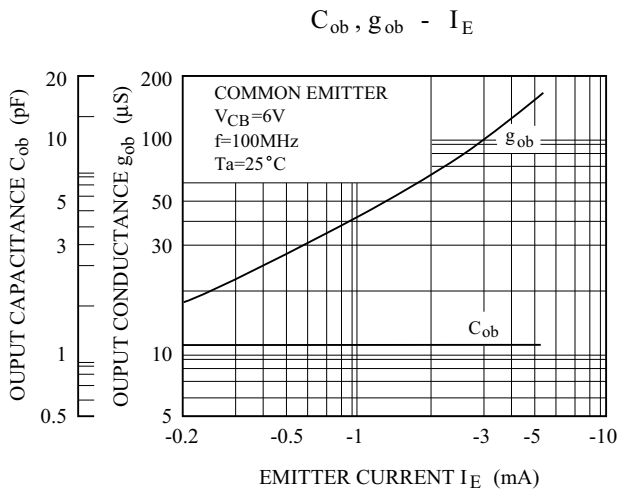
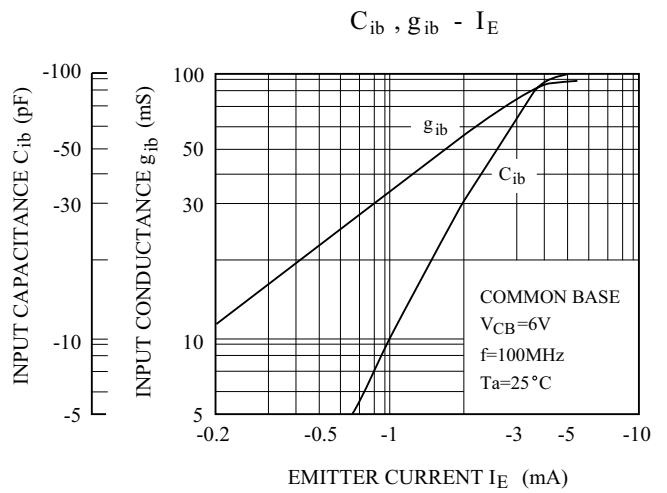
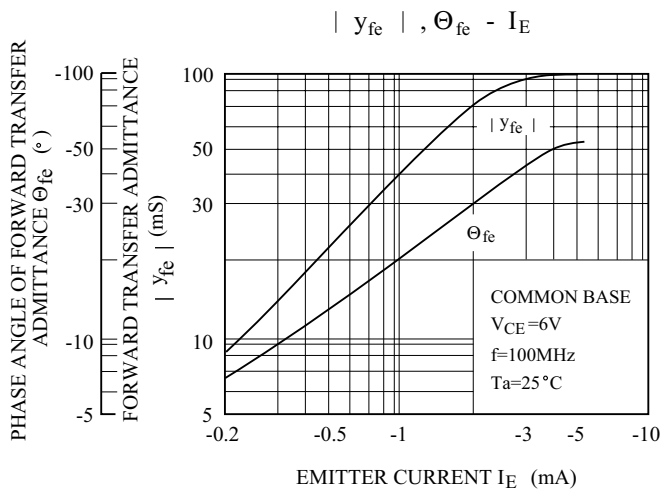
CHARACTERISTIC	SYMBOL	TYP.	UNIT
Input Conductance	$g_{ib}$	34	mS
Input Capacitance	$C_{ib}$	-10	pF
Reverse Transfer Admittance	$ y_{rb} $	0.27	$\mu S$
Phase Angle of Reverse Transfer Admittance	$\theta_{rb}$	-105	°
Forward Transfer Admittance	$ y_{fb} $	34	mS
Phase Angle of Forward Transfer Admittance	$\theta_{fb}$	165	°
Output Conductance	$g_{ob}$	45	$\mu S$
Output Capacitance	$C_{ob}$	1.1	pF

# KTC3880S

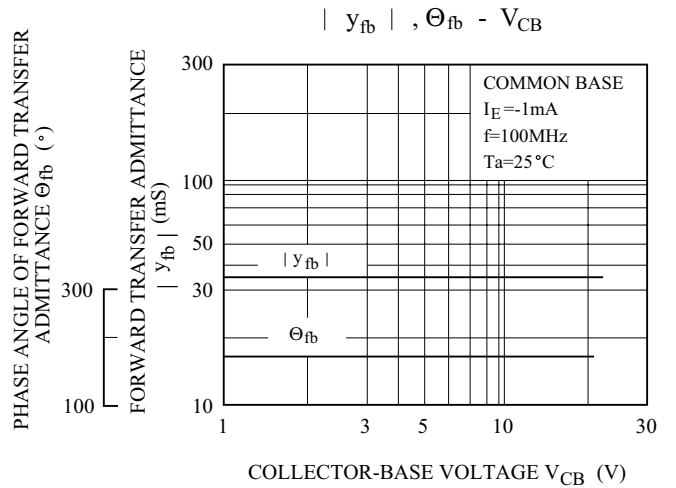
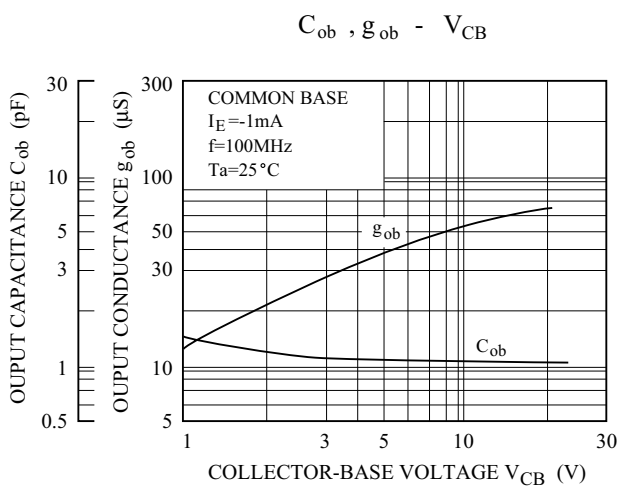
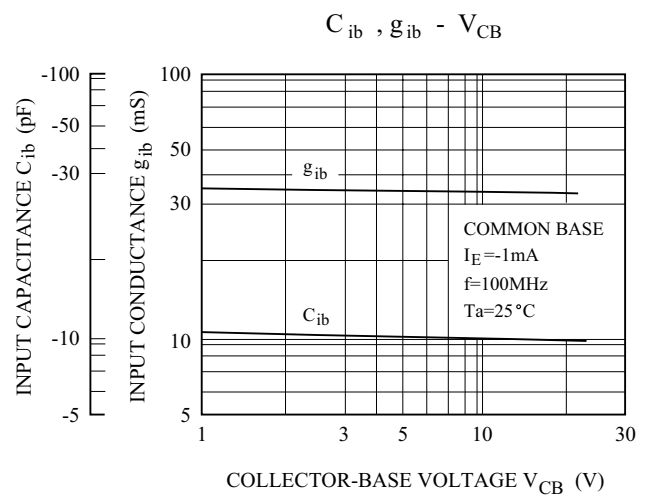
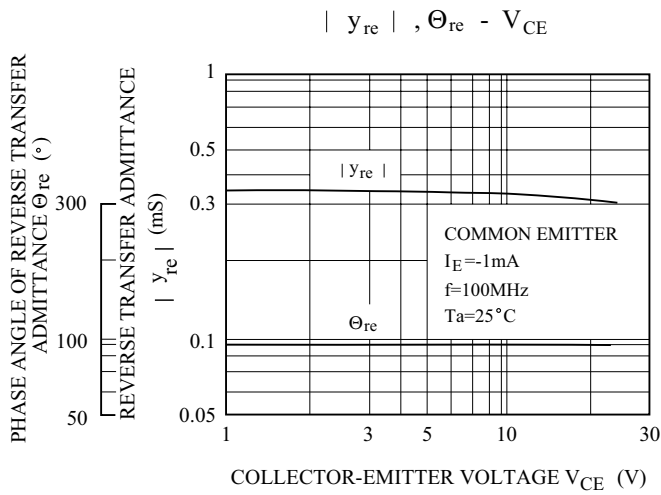
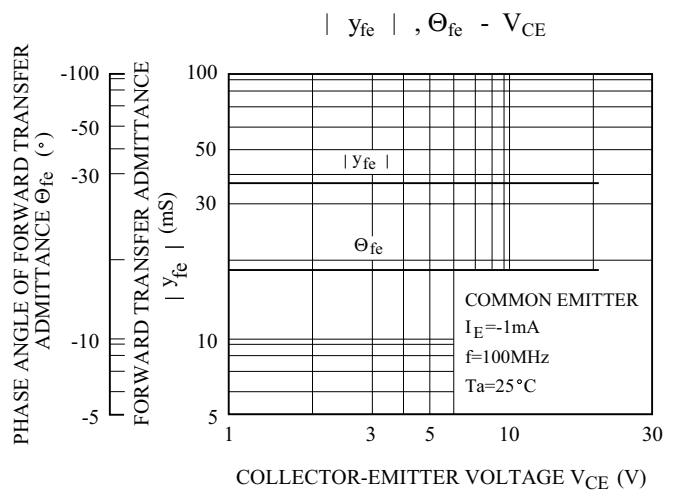
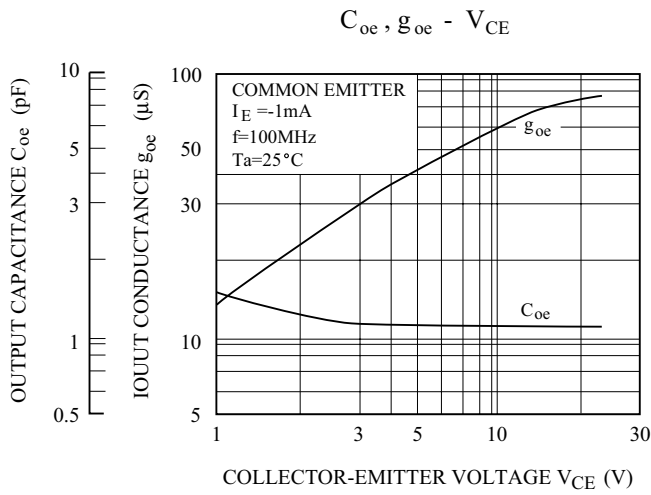
## STATIC CHARACTERISTICS



# KTC3880S



# KTC3880S



# KTC3880S

