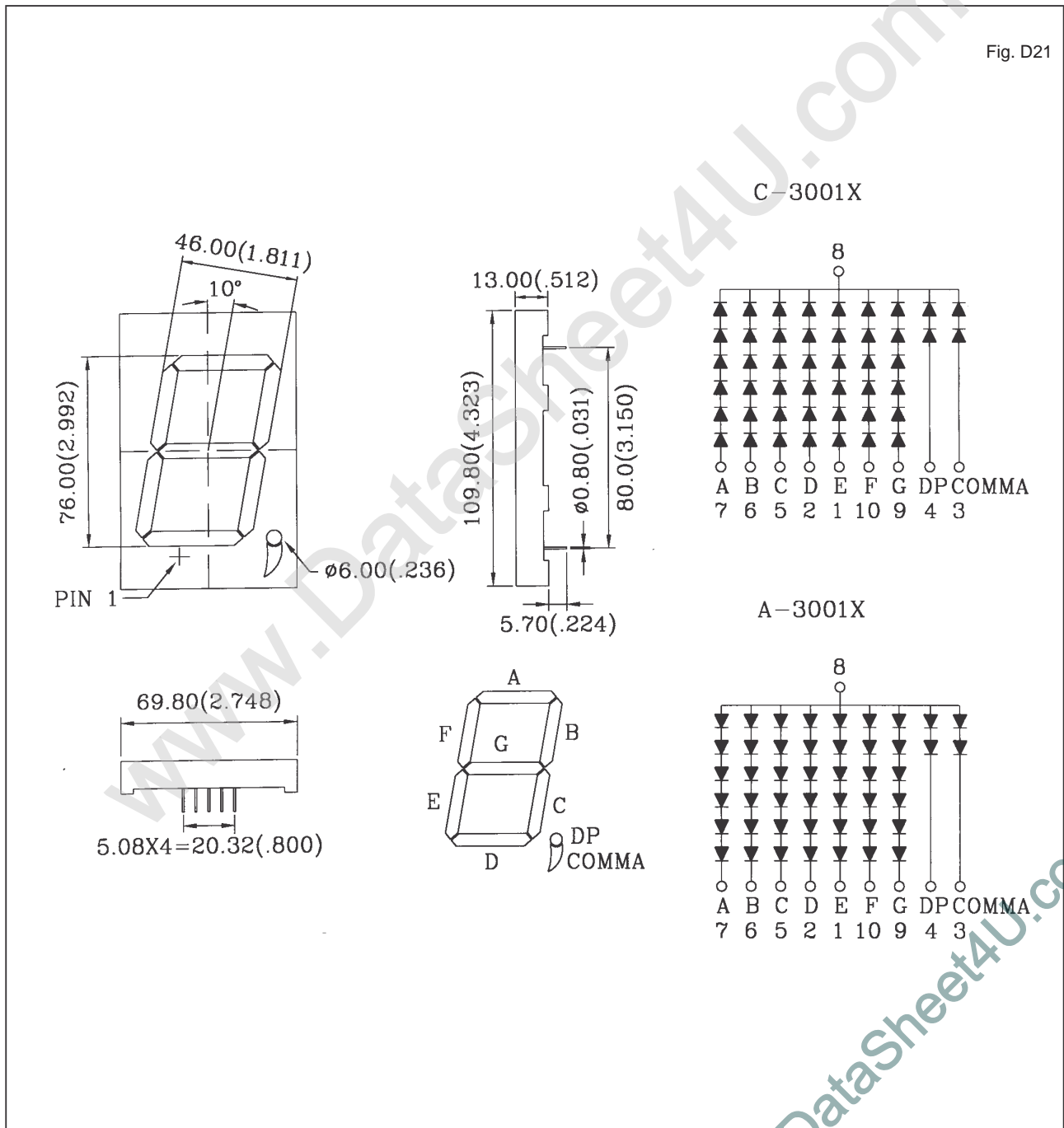


**C/A-3001X SINGLE DIGIT DISPLAY**

Shape	Part No.		Chip		Wave Length $\lambda$ p(nm)	Electro-Optical Characteristics			Fig.No.
	Common Cathode	Common Anode	Raw Material	Emitted Color		Vf(V)20mA		Iv(ucd)10mA	
						Typ.	Max.	Typ.	
	C-3001E	A-3001E	GaAsP/GaP	Hi.effi Red	635	12.6	15.0	6000	D21
	C-3001G	A-3001G	GaP	Green	565	13.2	15.0	5400	
	C-3001Y	A-3001Y	GaAsP/GaP	Yellow	585	12.0	15.0	5400	
	C-3001SR	A-3001SR	GaAlAs	Super Red	660	11.0	13.2	42000	

Fig. D21



- 1.All dimension are in millimeters (inches).
- 2.Tolerance is  $\pm 0.25$  mm (0.01") unless otherwise specified.