

## LDS6005

PureTouch™ Capacitance Touch IC

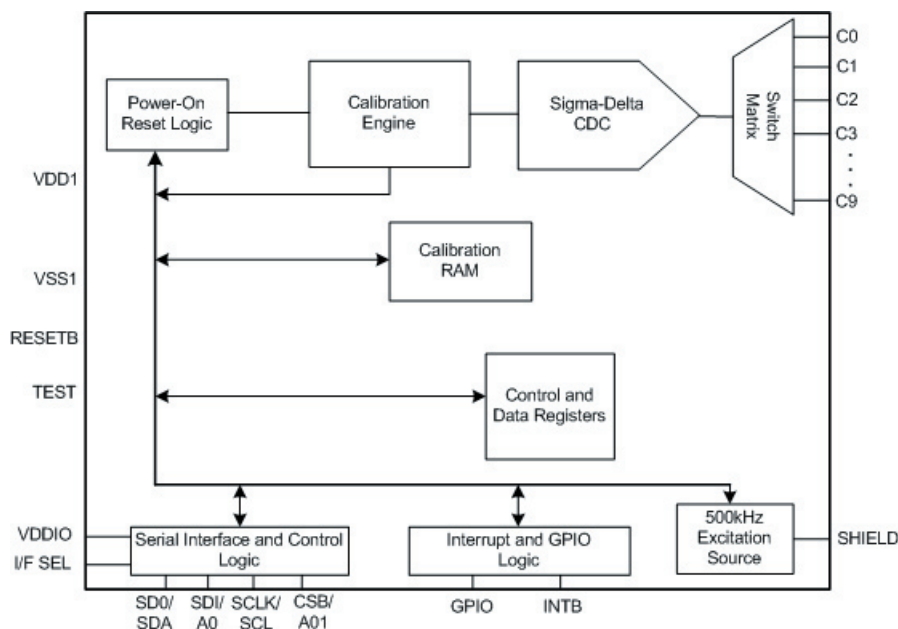
The LDS6005 is a programmable capacitance-to-digital converter (CDC) designed for use with capacitive sensor arrays implementing touch-based input controls including sliders, scroll wheels, and buttons. Featuring 10 sensor inputs, the LDS6005 provides the flexibility to implement multiple touch inputs using a single controller.

The capacitive sensor inputs are directed through an integrated switch matrix to a 500 kHz sigma-delta CDC which senses changes in the external sensor array. When a sufficiently large change in capacitance occurs, a sensor activation is registered and the host processor is notified.

On-chip calibration logic continuously monitors the environment and automatically adjusts on-and-off threshold levels to prevent false sensor activation.

The LDS6005 is offered with both SPI-compatible and I<sup>2</sup>C-compatible interfaces (active interface selected by I/F Select pin) and features a general-purpose input/output (GPIO) and interrupt output for additional communication with the host processor.

### LDS6005 Block Diagram



### LDS6005 Features

Versatile, Accurate Capacitance-to-Digital Converter (CDC)

- 500kHz sigma-delta CDC
- 10 capacitance sensor input channels
- 2ms update rate per active sensor

Integrated, Automatic Calibration Algorithms

- Environmental compensation
- On-chip RAM to store calibration data

Integrated Touch Preference Modes

- Strongest Single Touch
- Strongest Two Touches
- Unrestricted (All) Touches

Ultra-low Touch Sensor Power Consumption\*

- Operating mode (typical): <150uW (VDD1=1.8V)
- Shutdown mode (typical): <1uW (VDD1=1.8V)

Flexible Interface Options

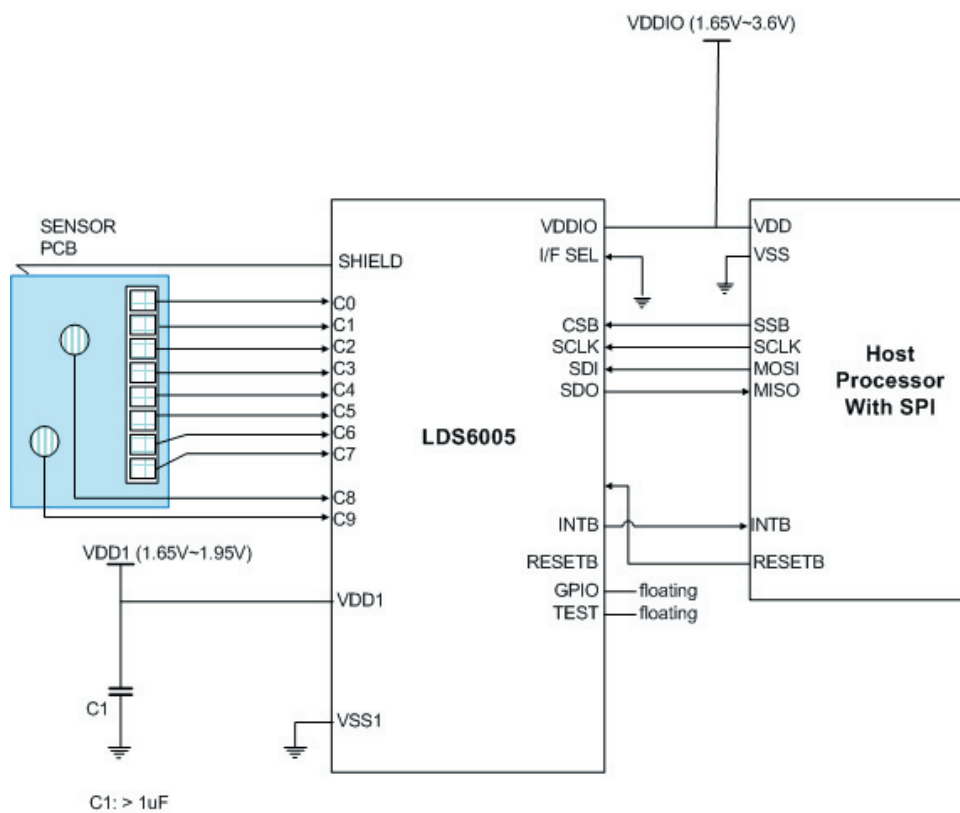
- SPI-compatible serial I/F
- I<sup>2</sup>C-compatible serial I/F
- Separate V<sub>DDIO</sub> level for serial interface
- GPIO and Interrupt Output

## Ideal Solution for Portable Applications

The LDS6005 is optimized for minimal power consumption, with touch sensor circuits operating from a 1.8v supply voltage. In full power mode, sensor conversion and calibration occur continuously, minimizing the time between touch event and touch detection. With its ultra-low touch sensor power consumption of <150uW (typical), the LDS6005 may be operated continuously in full power mode, even when battery life is of premium importance. The low power architecture of Leadis' PureTouch™ solutions eliminates the need for introduced latency periods that can cause noticeable delays and degrade the user experience.

When touch inputs are not required to be active, the LDS6005 may be put into standby mode, reducing typical power consumption below 5uW.

## LDS6005 Application Diagram



## Flexible Package Options:

- 28 pin 4mm x 4mm QFN, 0.8mm max height
- 28 pin 5.3mm x 10.2mm SSOP, 1.99mm max height

## Power Supply Range:

- Touch Supply (VDD1): 1.65V - 1.95V
- V<sub>DDIO</sub>=1.65V - 3.6V

## Applications:

- Mobile handsets and smartphones
- Personal music and media players (MP3/MP4)
- Gaming devices
- Remote controls
- Television, A/V
- Set-top boxes
- Multi-function printers
- Enterprise telephony

## Leadis Technology, Inc.

800 W. California Avenue, Suite 200  
Sunnyvale, California 94086

Tel: +1.408.331.8600

Fax: +1.408.331.8601

[www.leadis.com](http://www.leadis.com)

© 2009 LEADIS Technology, Inc. All rights reserved. The LEADIS logo is a trademark of LEADIS Technology, Inc. Other product names are registered trademarks of their respective companies. Product specifications are subject to change at any time without notice. LEADIS assumes no responsibility for errors or omissions. LEADIS assumes no liability(including liability for damages) with respect to any use of or reliance on the information contained herein.