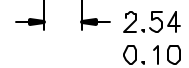
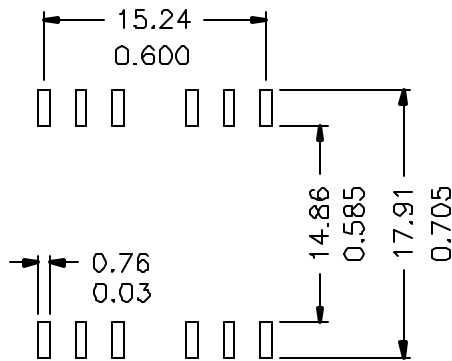
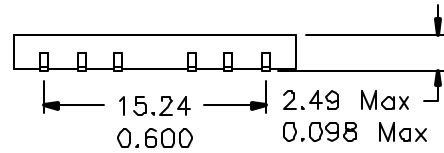
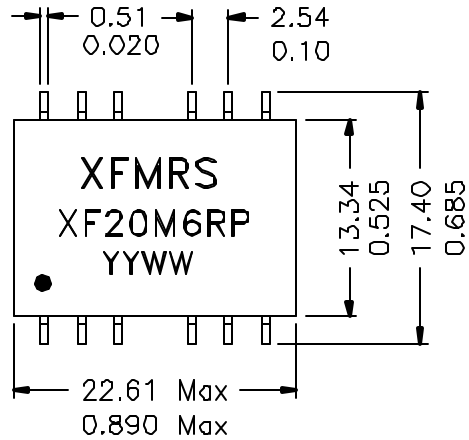
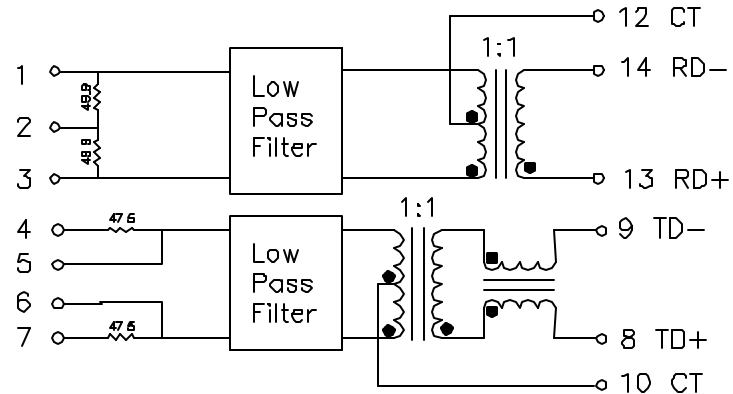


### 1. Dimensions:



SUGGESTED FOOTPRINT

### 2. Schematic:



### 3. Electrical Specifications: @25°C

HIPOT. 2000Vrms

INSERTION LOSS: -5.0dB Max @1MHz-10MHz

RETURN LOSS: -18dB @5MHz-10MHz

Differential to Common Mode Rejection. (For reference Only)

(TX) -55dB Min @10MHz

(TX) -40dB Min @50MHz

(TX) -35dB Min @100MHz

(TX) -30dB Min @200MHz

Crosstalk: (For reference Only) -50dB Min @5-10MHz

Attenuation: (For reference Only)

(TX) -30dB Min @30MHz

(TX) -30dB Min @50MHz

(TX) -40dB Min @100MHz

Notes:

1. Solderability: Leads shall meet MIL-STD-202, Method 208D for solderability
2. Flammability, UL94V-0
3. ASTM oxygen Index: > 28%
4. Insulation System Class F 155°C UL file E151556
5. Operating Temperature Range: All listed parameters are to be within tolerance from -40°C to +85°C
6. Storage Temperature Range: -55°C to +125°C
7. Aqueous wash compatible

DOC. Rev: A/1

<b>XFMRS Inc</b>	Title: 10/100BASE-TX Filter Modules								
	UNLESS OTHERWISE SPECIFIED TOLERANCES: .xxx ±0.010 Inch Dimensions in Inch/mm	<table border="1" style="width: 100%;"> <tr> <td>P/N: XF20M6RP</td> <td>REV. A</td> </tr> <tr> <td>DWN. 李清儿</td> <td>Nov-20-98</td> </tr> <tr> <td>CHK. 孙小松</td> <td>Nov-20-98</td> </tr> <tr> <td>APP. BW</td> <td>Nov-20-98</td> </tr> </table>	P/N: XF20M6RP	REV. A	DWN. 李清儿	Nov-20-98	CHK. 孙小松	Nov-20-98	APP. BW
P/N: XF20M6RP	REV. A								
DWN. 李清儿	Nov-20-98								
CHK. 孙小松	Nov-20-98								
APP. BW	Nov-20-98								
SCALE 2:1 SHT 1 OF 1									