

**High-Speed Transimpedance Amplifier**

**Description**

CXA1527Q is a low noise amplifier, particularly suitable for signal recovery in fiber-optic receivers.

**Features**

- High-speed bipolar process provides for ultra high-speed operation
- High transimpedance 3kΩ (Typ.)
- Wide band width 550MHz (Typ.)
- Low noise (at 10MHz) 2.8pA/√Hz (Typ.)
- Low power consumption 27mW (Typ.)
- Single power supply
- (Negative supply) V<sub>CC</sub>=V<sub>CCA</sub>=GND,  
V<sub>EE</sub>=-5.2V
- (Positive supply) V<sub>CC</sub>=V<sub>CCA</sub>=+5.0V,  
V<sub>EE</sub>=GND

**Absolute Maximum Ratings (V<sub>CC</sub>=V<sub>CCA</sub>)**

- Supply voltage V<sub>CC</sub>-V<sub>EE</sub> -0.3 to +7.0 V
- Minimum input voltage V<sub>IN</sub> V<sub>EE</sub>-2.0 V
- Input voltage I<sub>IN</sub> -250 to +250 μA
- Output current (continuous) I<sub>O</sub> 0 to 50 mA
- Output current (surge) I<sub>O</sub> 0 to 100 mA
- Operating case temperature T<sub>C</sub> -55 to +125 °C
- Storage temperature T<sub>stg</sub> -65 to +150 °C

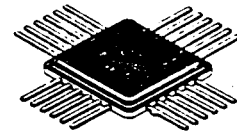
Stresses greater than these conditions may cause permanent damage to the devices or affect their reliability.

**Recommended Operating Conditions (V<sub>CC</sub>=V<sub>CCA</sub>)**

- Supply voltage
- (Negative Supply) V<sub>EE</sub> V<sub>CC</sub>=GND -5.46 to -4.94 V
- (Positive Supply) V<sub>CC</sub> V<sub>EE</sub>=GND 4.5 to 5.5 V
- Operating case temperature T<sub>C</sub> 0 to 85 °C

The devices should be operated under these conditions, beyond which the parametric values are not specified.

24pin QFP (Metal)



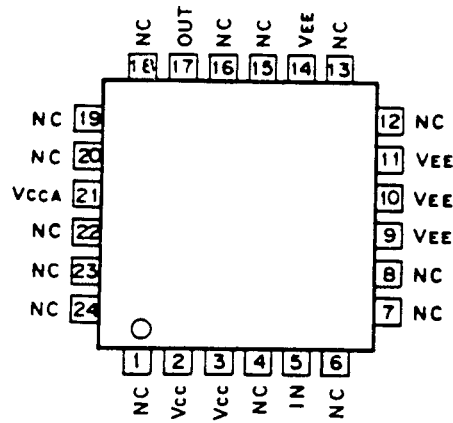
**Application**

- Fiber-optic receiver
- Instrument

**Structure**

Bipolar silicon monolithic IC

Pin Assignment



Pin Description

Pin No.	Symbol	Equivalent circuit	Description
5	IN		Data input
17	OUT		Data output
2, 3	Vcc		Positive power supply
21	VCCA		Positive power supply for output
9, 10 11, 14	VEE		Negative power supply
1, 4, 6, 7, 8, 12, 13, 14, 16, 18, 19, 20, 22, 23, 24	NC		No connection

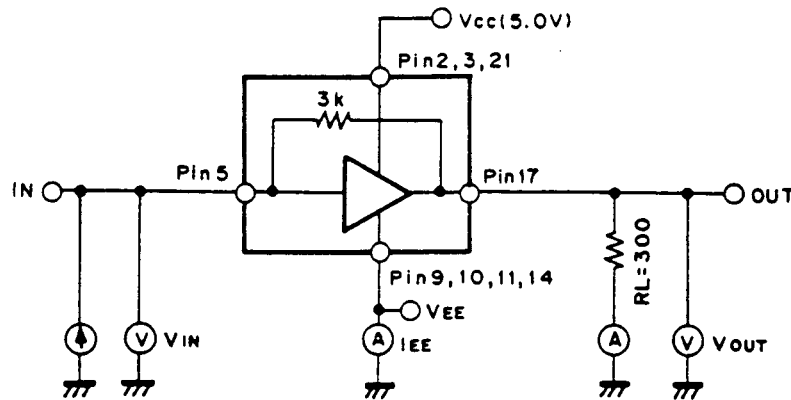
**DC Characteristics**

( $T_c=0$  to  $+85^\circ\text{C}$ ,  $V_{EE}=\text{GND}$ ,  $V_{CC}=V_{CCA}=5\text{V} \pm 0.5\text{V}$ ,  $R_L=300\Omega$ )

Item	Symbol	Conditions	Min.	Typ.	Max.	Unit
Supply current	$I_{EE}$	Input pin left open * 1	-4.0	-2.7	-1.6	mA
Transimpedance	$Z_T$	$I_{IN}=-140\ \mu\text{A}$ to $+140\ \mu\text{A}$	2.2	3.0	3.8	$\text{k}\Omega$
Maximum input current	$I_{MAX}$		140			$\mu\text{A}$
Input bias voltage	$V_{IN}$			$V_{EE}+0.77$		V
Output bias voltage	$V_{OUT}$	Input pin left open		$V_{EE}+0.98$		V
Input capacitance	$C_{IN}$			1.3		pF

\* 1:  $P_{D0}=|I_{EE}| \times 5.0\text{V} + V_{OUT}/R_L \times (5.0\text{V}-V_{OUT})$ , see DC characteristics test circuit.

**DC Characteristics Test Circuit**



**AC Characteristics**

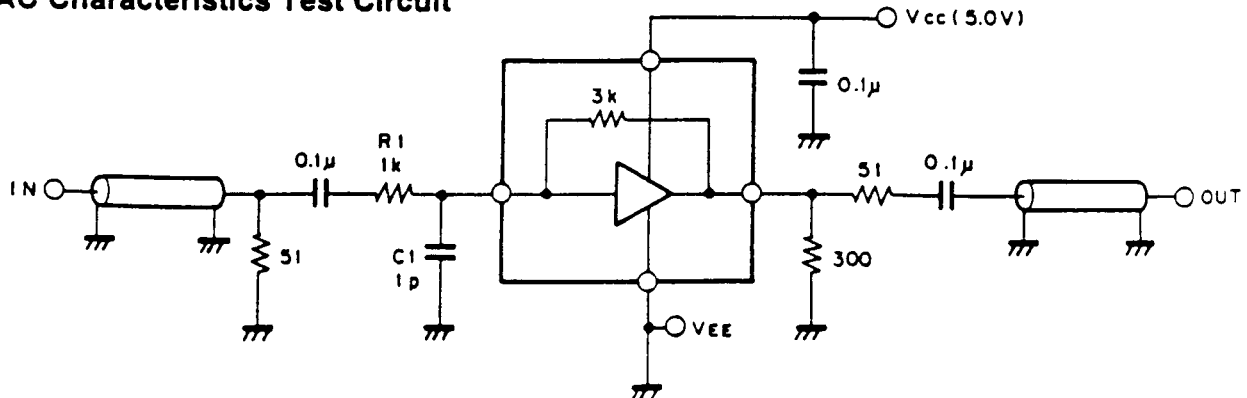
( $T_c=0$  to  $85^\circ\text{C}$ ,  $V_{EE}=\text{GND}$ ,  $V_{CC}=V_{CCA}=5.0\text{V} \pm 0.5\text{V}$ )

Item	Symbol	Conditions	Min.	Typ.	Max.	Unit
Transimpedance	$Z_T$	$f_{in}=10\text{MHz}$	2.2	3.0	3.8	$\text{k}\Omega$
Bandwidth (-3dB)	$f_{3dB}$	* 1, 2	450	550		MHz
Input current noise spectral density	$I_n$	$f_{in}=10\text{MHz}$		2.8		$\text{pA}/\sqrt{\text{Hz}}$

\* 1: Assumes photodiode capacitance.  $C_{PD}=1\text{pF}$ . Referenced from 10MHz.

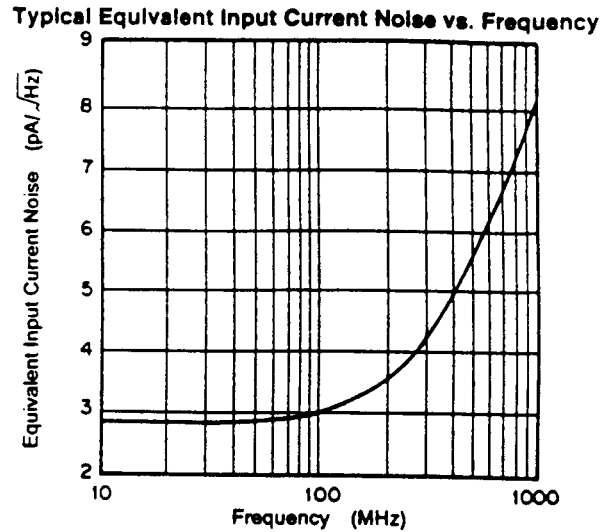
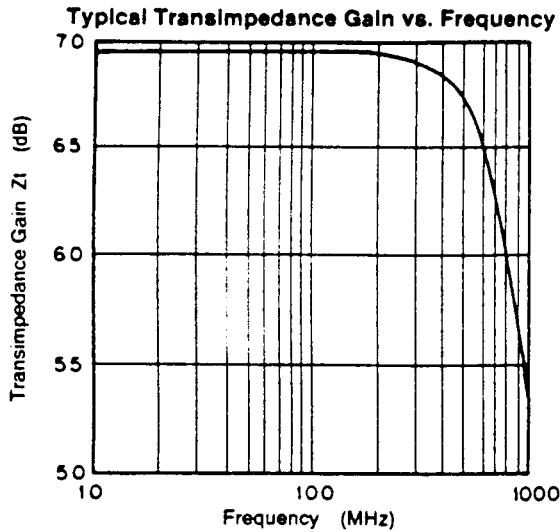
\* 2: Circuit board layout dependent at higher frequencies. For best performance use RF filter in power supply lines.

**AC Characteristics Test Circuit**

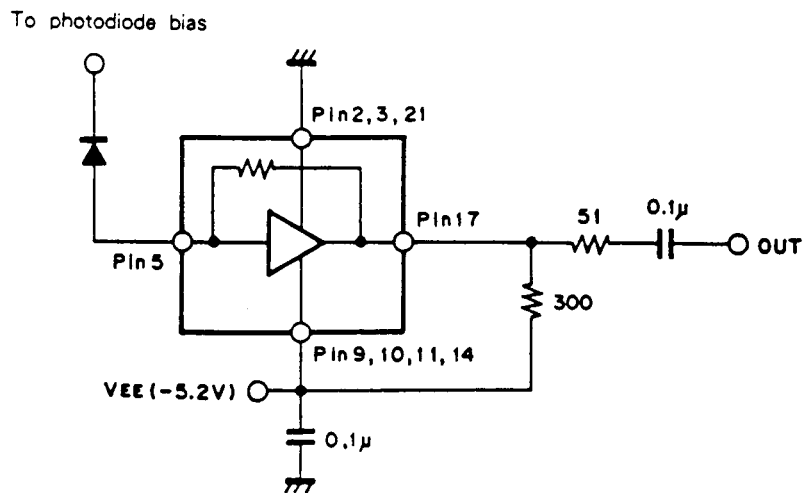


C1 : Assumes photodiode capacitance  
R1 : For V - I conversion

Typical Performance (Ta=25°C, VEE=GND, VCC=VCCA=5.0V)



Application Circuit



Application circuits shown are typical examples illustrating the operation of the devices. Sony cannot assume responsibility for any problems arising out of the use of these circuits or for any infringement of third party patent and other right due to same.

Cautions for Handling

1. As the electrostatic breakdown level is weak, take care to handle.
2. The internal resistor (R5=10kΩ) of the output pin (No. 17) does not have the capability of drive. The terminal resistor must be connected, and the resistance value should be selected between 100Ω and 300Ω.

Package Outline Unit : mm

24pin QFP (Metal) 0.3g

