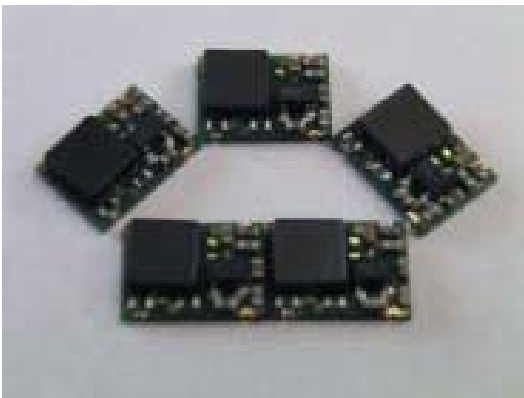


Features

Typical Applications

- Home Security Systems
 - Remote Lighting Controls
 - Remote Gate Controls
 - Asset Tracking
 - Sensor Monitoring
- 433.92 MHz
 - Low Cost
 - 3-12VDC Operation
 - Small Size
 - 0 dBm Output @ 3V
 - 4800 Baud Operation



Description

The RCT-433-UTR is ideal for remote control applications, where low cost and longer range are required. The transmitter operates from a 3-12V supply, making it ideal for battery-powered applications. The transmitter employs a SAW-stabilized oscillator, ensuring accurate frequency control for best range performance. Output power and harmonic emissions are easy to control, making FCC and ETSI compliance easy. The manufacturing-friendly tape-and-reel packaging and low cost make the RCT-433-UTR suitable for high volume applications.

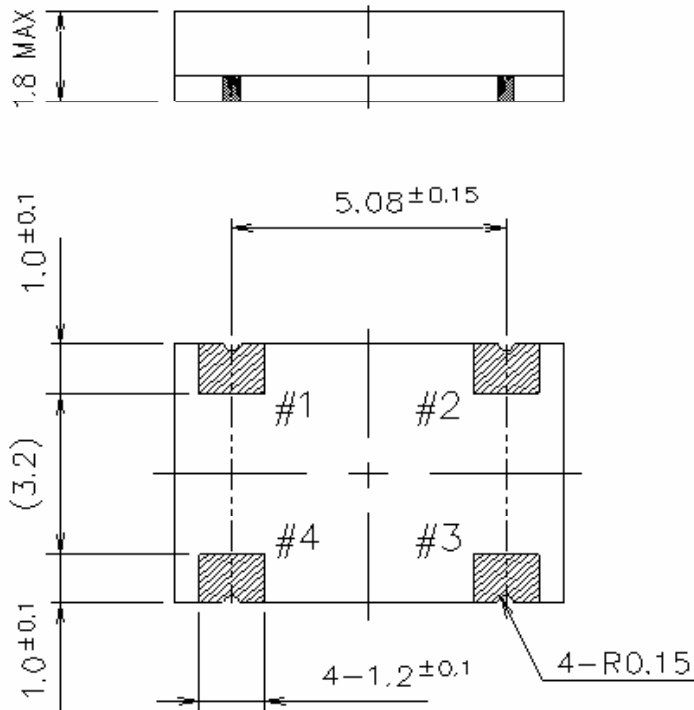
| Item No. | Parameter | Value | | | UNIT |
|----------|--------------------------------|--------|-----|------|------|
| | | MIN | TYP | MAX | |
| 1. | Transmit Frequency | 433.92 | | | MHz |
| 2. | Modulation | | ASK | | |
| 3. | Output Power @ 12 V/ Data: 3 V | 9 | 10 | 12 | dBm |
| 4. | Data Rate | 1 | | 3 | KHz |
| 5. | Frequency Tolerance | -120 | | +120 | KHz |
| 6. | Operating Temperature | -40 | | +85 | °C |
| 7. | Power Source | 3 | | 12 | V |
| 8. | Power Consumption @ 12 V | 8 | 10 | 12 | mA |

Document Control

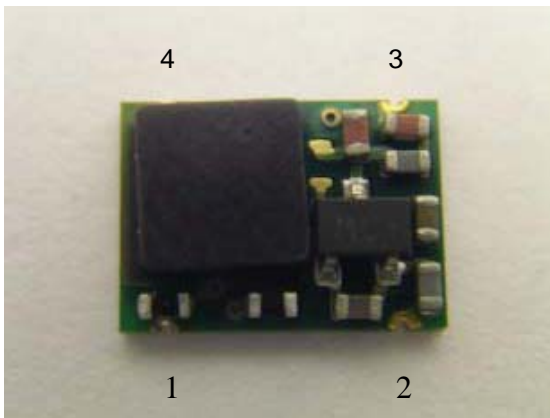
| | | |
|-------------------------------|------------|---------|
| Created By | TJ Everett | 1/20/07 |
| Engineering Review | | |
| Marketing Review | | |
| Approved - Engineering | | |
| Approved - Marketing | | |

Revision History

| Revision | Author | Date | Description |
|-----------------|---------------|-------------|--------------------|
| 1.0 | TJ | 1/20/07 | Document Created |
| | | | |
| | | | |
| | | | |
| | | | |
| | | | |
| | | | |



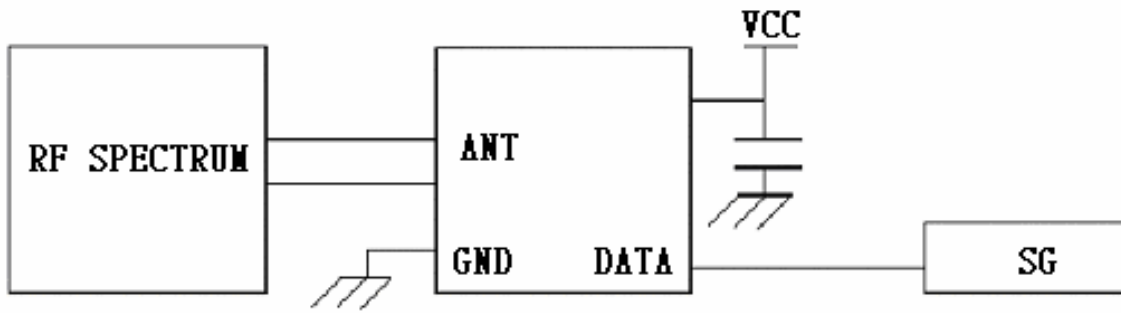
| | Pin Connection |
|--------|----------------|
| #1 pin | Vcon |
| #2 pin | GND |
| #3 pin | Output |
| #4 pin | +Vcc |



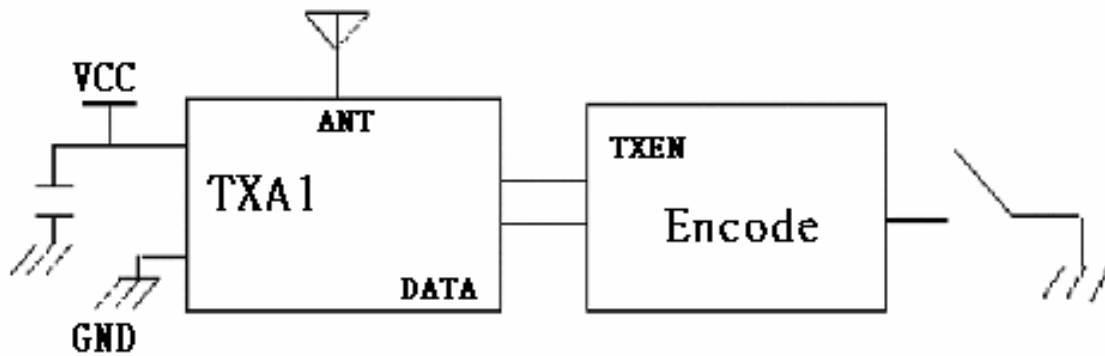
Pin Description

| Pin | Name |
|-----|--------|
| 1 | V con |
| 2 | GND |
| 3 | Output |
| 4 | + VCC |

Typing Test Circuit



Typical Transmitter Application

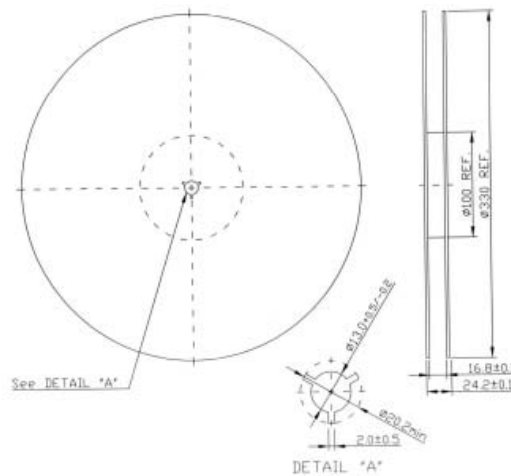


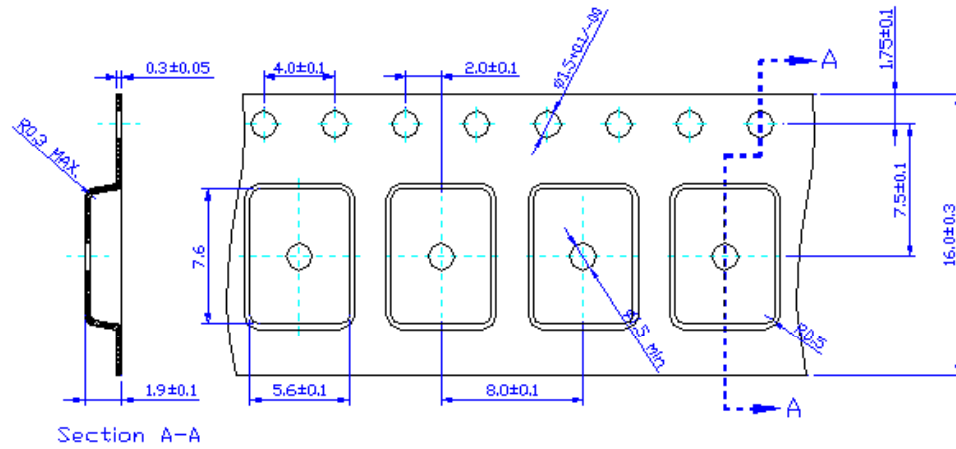
Notes:

1. Encoder : HT12D/F , PTC (2262)
2. Antenna : Length = 17.2cm for 433MHz

Part Orientation

Tape and Reel:

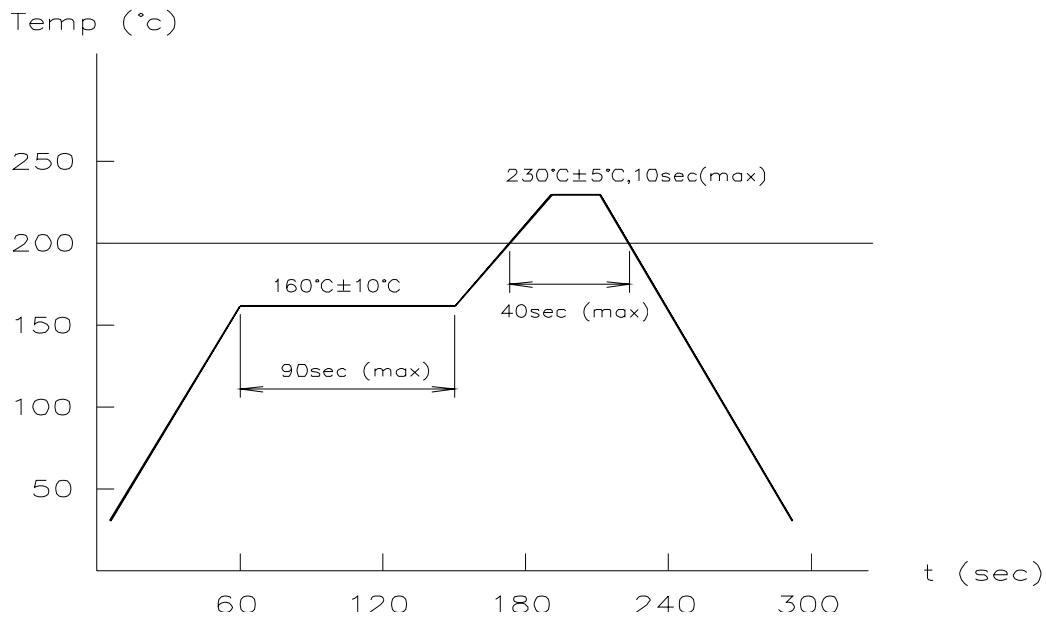




Notes:

1. Unit: mm.
2. Unless otherwise specified tolerance on dim. +/- 0.1mm.
3. Material: conductive polystyrene.
4. Color: black
5. 10 Pitch Cumulative Tolerance +/- 0.2mm.

Maximum Soldering Profile



Ordering Information

| PRODUCT | ORDER CODE |
|----------------|-------------------|
| RCT-433-UTR | RCT-433-UTR |

Radiotronics Inc.

905 Messenger Lane
Moore, OK 73160

(405) 794-7730
(405) 794-7477 (Fax)

www.radiotronics.com
sales@radiotronics.com