



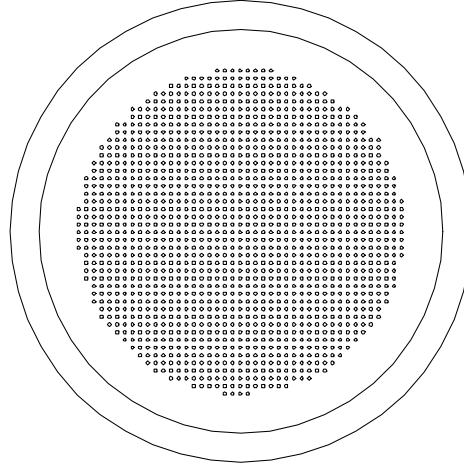
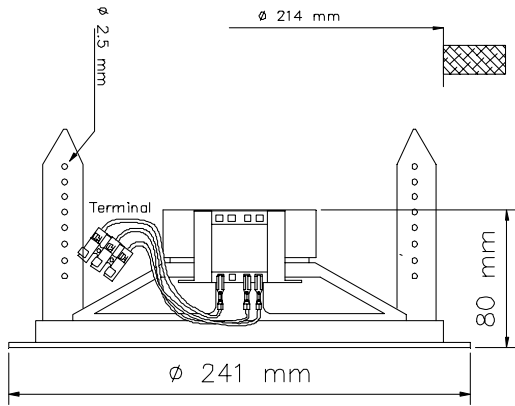
DNH^{AS}

N-3770 Kragerø
 NORWAY
 Phone: (47) 35 98 56 00
 Fax: (47) 35 98 56 10
 E-mail: dnh@dnh.no
 Web-site: www.dnh.no

ISO 9001 CERTIFIED

B-640(T)

DNH WW Ltd. Phone: (44) 1908 275 000
 England Fax: (44) 1908 275 100
 E-mail: dnh@dnh.co.uk
 DNH GmbH Phone: (49) 040 6569 30-0
 Germany Fax: (49) 040 6569 30-30
 E-mail: dnh@dnh.de

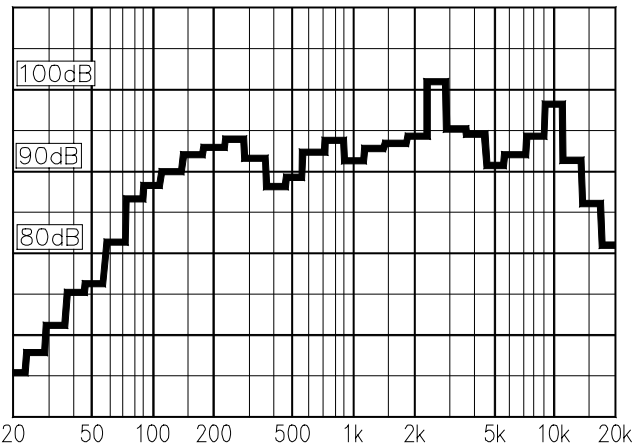


Transformer:
 Combined
 50 / 100 Volt line
 5(White) : 6(Green) 50V
 5(White) : 8(Red) 100V

Secondary nominal
 tapings:
 1 : 4 6,0W
 1 : 3 3,0W
 2 : 4 2,0W
 1 : 2 1,5W
 3 : 4 0,9 W
 2 : 3 0,5 W

Rec. ceiling hole: \varnothing 215 mm

1W/1m Pink Noise 1/3 octave bands



Material / Colour Aluminium / RAL9010
 Mounting 4 metal strips
 Termination Spring clamps
 Weight 1,2 kg
 IP-rating
 Max. / min. amb. temp 90°C / -20°C
 Standard version 50 / 100 V transformer
 Rated / max. power 6 W / 20 W
 SPL 1W/1m 90 dB
 SPL rated power 97 dB
 Effective freq. range 60 – 20000 Hz
 Dispersion (-6dB) 1kHz / 4kHz 140° / 50°
 Directivity factor, Q.....

Installation, Operation and Maintenance Procedures

- When mounting the loudspeaker please ensure that it is re-assembled in the same manner in which it was received.
- Install outer ring into the hole by bending down 4 metal strips. Use nail / screw to prevent the ring from turning. Connect cable to terminal. Screw the loudspeaker grill clockwise into fixed position.
- For optimum performance, always use the correct voltage / power and operate within the frequency limits as stated.
- Take care when loudspeaker is energized (100 V).
- This loudspeaker is supplied with a 2 year warranty against defective workmanship.

Most of our products are available in different colours, impedances and power ratings.

