

LED LAMP

Package	Part No.	Chip		Lens Appearance	Absolute Maximum Ratings				Electro-Optical Data (At 10 mA)			Viewing Angle 2θ½ (deg)	Drawing No.
		Emitted Color	Peak Wave Length λp(nm)		Δλ (nm)	Pd (mw)	If(mA)	Peak If(mA)	Vf(V)		Iv Typ. (mcd)		
									Typ.	Max.			
Cylindrical Wide Viewing Angle Back Lighting 3φ	BL-C5435	Bright Red	700	Red Trans	90	50	15	50	2.1	2.6	2.0	150	L-38
	C4435R	Hi-Eff Red	635	Red Trans	45	80	30	150	2.0	2.6	5.0	150	
	C2435	Green	568	Green Trans	30	100	30	150	2.1	2.6	5.0	150	
	C3435	Yellow	585	Yellow Trans	35	90	30	150	2.1	2.6	4.0	150	
	C4435	Orange	635	Orange Trans	45	80	30	150	2.0	2.6	5.0	150	
	BL-C5335	Bright Red	700	Water Clear	90	50	15	50	2.1	2.6	2.0	150	
	C2335	Green	568	Water Clear	30	100	30	150	2.1	2.6	5.0	150	
	C3335	Yellow	585	Water Clear	35	90	30	150	2.1	2.6	4.0	150	
C4335	Orange	635	Water Clear	45	80	30	150	2.0	2.6	5.0	150		
Cylindrical Wide Viewing Angle Back Lighting 5φ	BL-C5436	Bright Red	700	Red Trans	90	50	15	50	2.1	2.6	2.0	150	L-39
	C4436R	Hi-Eff Red	635	Red Trans	45	80	30	150	2.0	2.6	5.0	150	
	C2436	Green	568	Green Trans	30	100	30	150	2.1	2.6	5.0	150	
	C3436	Yellow	585	Yellow Trans	35	90	30	150	2.1	2.6	4.0	150	
	C4436	Orange	635	Orange Trans	45	80	30	150	2.0	2.6	5.0	150	
	BL-C5336	Bright Red	700	Water Clear	90	50	15	50	2.1	2.6	2.0	150	
	C2336	Green	568	Water Clear	30	100	30	150	2.1	2.6	5.0	150	
	C3336	Yellow	585	Water Clear	35	90	30	150	2.1	2.6	4.0	150	
C4336	Orange	635	Water Clear	45	80	30	150	2.0	2.6	5.0	150		



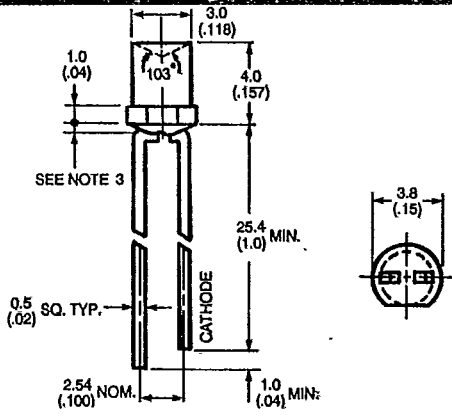
BIGGER SIZE LAMPS

Package	Part No.	Chip		Lens Appearance	Absolute Maximum Ratings				Electro-Optical Data (At 10 mA)			Viewing Angle 2θ½ (deg)	Drawing No.
		Emitted Color	Peak Wave Length λp(nm)		Δλ (nm)	Pd (mw)	If(mA)	Peak If(mA)	Vf(V)		Iv Typ. (mcd)		
									Typ.	Max.			
8φ Round	BL-B4139R	Hi-Eff Red	635	Red Diffused	45	80	30	150	2.0	2.6	9.0	46	L-40
	B2139	Green	568	Green Diffused	30	100	30	150	2.1	2.6	9.0	46	
	B3139	Yellow	585	Yellow Diffused	35	90	30	150	2.1	2.6	7.0	46	
	B4139	Orange	635	Orange Diffused	45	80	30	150	2.0	2.6	9.0	46	
	B6139	Super Red	660	Red Diffused	20	60	20	150	1.7	2.6	15.0	46	
8.0x8.0mm Rectangular Round Head	BL-R413GR	Hi-Eff Red	635	Red Diffused	45	80	30	150	2.0	2.6	9.0	36	L-41
	R213G	Green	568	Green Diffused	30	100	30	150	2.1	2.6	9.0	36	
	R313G	Yellow	585	Yellow Diffused	35	90	30	150	2.1	2.6	7.0	36	
	R413G	Orange	635	Orange Diffused	45	80	30	150	2.0	2.6	9.0	36	
	R613G	Super Red	660	Red Diffused	20	60	20	150	1.7	2.6	15.0	36	
10φ Round	BL-B4130R	Hi-Eff Red	635	Red Diffused	45	80	30	150	2.0	2.6	9.0	50	L-42
	B2130	Green	568	Green Diffused	30	100	30	150	2.1	2.6	9.0	50	
	B3130	Yellow	585	Yellow Diffused	35	90	30	150	2.1	2.6	7.0	50	
	B4130	Orange	635	Orange Diffused	45	80	30	150	2.0	2.6	9.0	50	
	B6130	Super Red	660	Red Diffused	20	60	20	150	1.7	2.6	15.0	50	

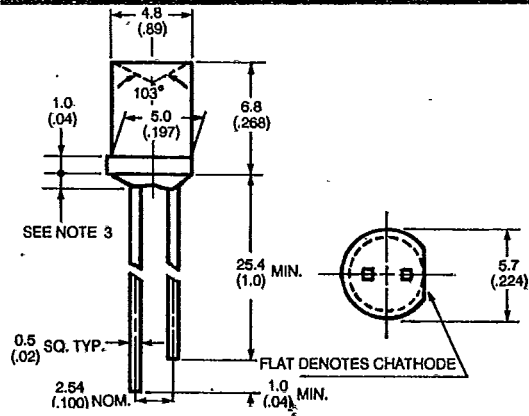
Remark: • Hi-Eff Red—High Efficiency Red
 • Trans—Transparent
 • 2θ½ is THE Off-axis angle at which the luminous intensity is half the axial luminous intensity

LED LAMP

L-38 BL-Cxx35 Series



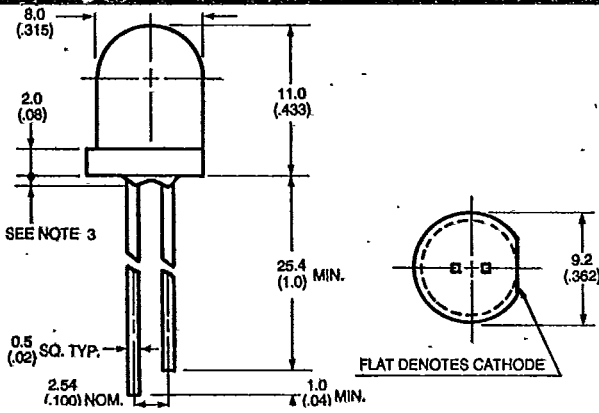
L-39 BL-Cxx36 Series



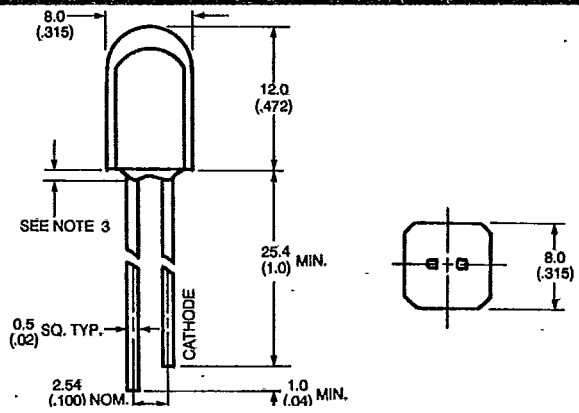
PACKAGE DIMENSIONS

- NOTES:
1. All Dimensions are in millimeters (inches).
 2. Tolerance is $\pm 0.25\text{mm}$ ($.010''$) unless otherwise specified.
 3. Protruded resin under flange is 1.5mm (.059") max.
 4. Lead spacing is measured where the leads emerge from the package.
 5. Specifications are subject to change without notice.

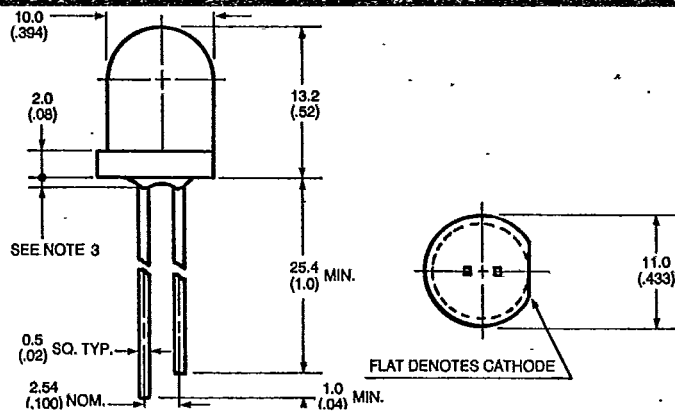
L-40 BL-Bxx39 Series



L-41 BL-Rxx3G Series



L-42 BL-Bxx30 Series



L E D L A M P

LAMP/HOLDER ASSEMBLY

● MODEL NO. & SELECTION GUIDE:

BL-Cxx/xR + xG + xY

Number of lamps & color combination
(From left to right as drawing)

Holder No.

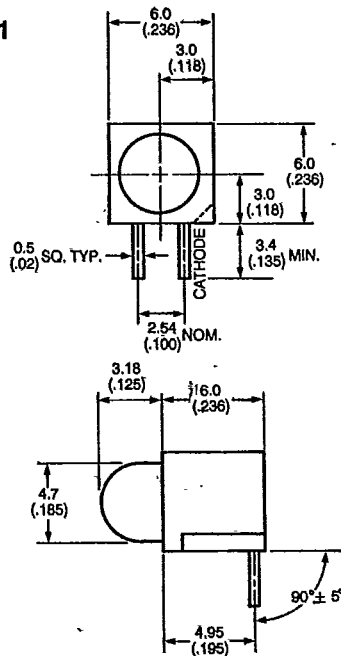
- R: 655 nm Red
- H: 700 nm Bright Red
- I: 635 nm Hi-Eff Red
- G: 568 nm Green
- Y: 585 nm Yellow
- E: 635 nm Orange
- S: 660 nm Super Red

PACKAGE DIMENSIONS

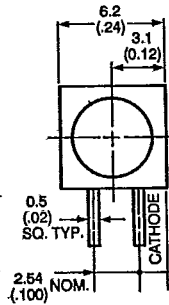
NOTES:

1. All Dimensions are in millimeters (inches).
2. Tolerance is ± 0.50 mm (.020") unless otherwise specified.
3. Protruded resin under flange is 1.5mm (.059") max.
4. Lead spacing is measured where the leads emerge from the package
5. Specifications are subject to change without notice

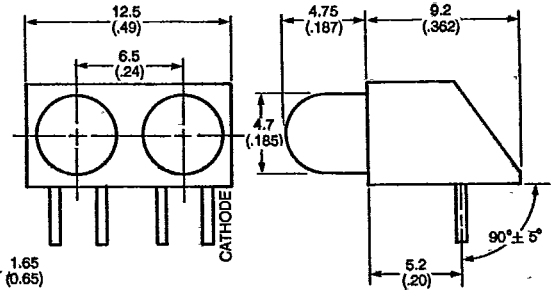
C61



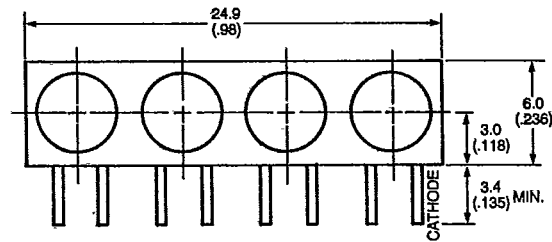
C41



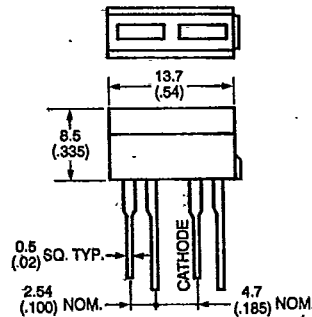
C42



C44



C52



C55

