



80C51 Microcontroller Family Compatible

64K

X88C64 SLIC® E²

8192 x 8 Bit

E² Micro-Peripheral

FEATURES

SLIC (SELF LOADING INTEGRATED CODE) FIRMWARE

- **Automatically Downloads User's Software into 8051 Based Systems**
- **Features Load, Verify, and Block Protection Capabilities**
- **Transfers Baud Rate 9600 at 11MHz**
- **CONCURRENT READ WRITE™**
 - Dual Plane Architecture
 - Isolates Read/Write Functions Between Planes
 - Allows Continuous Execution of Code From One Plane While Writing in the Other Plane
- **Multiplexed Address/Data Bus**
 - Direct Interface to Popular 8051 Family
- **Block Protect Register**
 - Individually Set Write Lock Out in 1K Blocks
- **Toggle Bit Polling**
 - Early End of Write Detection
- **Page Mode Write**
 - Allows up to 32 Bytes to be Written in One Write Cycle

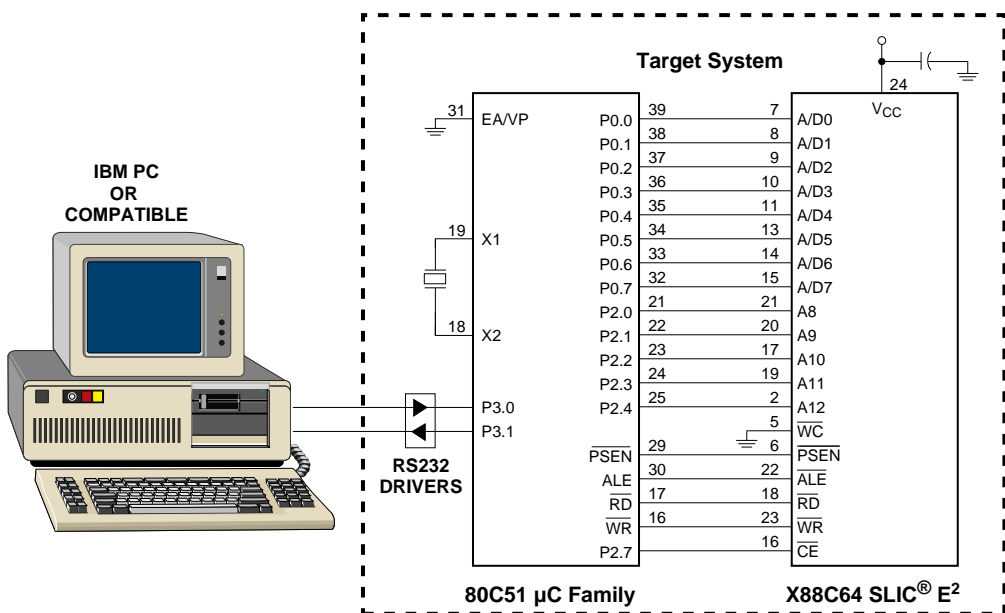
DESCRIPTION

The X88C64 SLIC E² is a highly integrated E² Microcontroller peripheral which combines the functionality of the X88C64 component with pre-loaded software routines allowing any embedded system using it to upgrade and download software via the serial port. This self-loading integrated code eliminates the need to initially program the firmware into a memory device at the time of initial manufacture. The SLIC routines also greatly facilitate the loading of subsequent versions of the firmware into the system.

The SLIC routines consist of approximately 500 bytes of instructions for the 8051 which will initialize the microcontroller and its on-board UART and download the user's software through the UART. The baud rate for the transfer is 9600 based on a crystal frequency of 11MHz. Data transfer is accomplished using a proprietary format called XCOM. Xicor also has developed a program for IBM PCs and compatibles called XSLIC, which will translate an Intel HEX format file into XCOM format and upload the program to an X88C64 SLIC E².

The X88C64 device itself is an 8K x 8 E²PROM fabricated with advanced CMOS Textured Poly Float-

TYPICAL APPLICATION



6540 ILL F01.1

SLIC® E² and CONCURRENT READ WRITE™ are trademarks of Xicor, Inc.

X88C64 SLIC® E²

ing Gate Technology. The X88C64 features a Multiplexed Address and Data bus allowing direct interface to a variety of popular single-chip microcontrollers operating in expanded multiplexed mode without the need for additional interface circuitry.

The X88C64 is internally configured as two independent 4K x 8 memory arrays. This feature provides the ability to perform nonvolatile memory updates in one array and continue operation out of code stored in the other array; effectively eliminating the need for an auxiliary memory device for code storage.

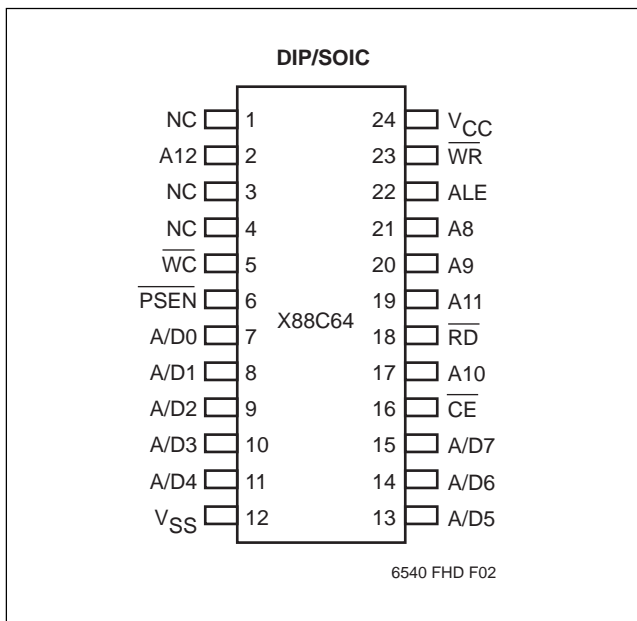
To write to the X88C64 SLIC E², a three-byte command sequence must precede the byte(s) being written. This sequence called Software Data Protection

prevents the loss of data or program information due to inadvertant write cycles during power-up or power-down. The X88C64 SLIC E² also provides a second generation software data protection scheme called Block Protect.

Block Protect can provide write lockout of the entire device or selected 1K blocks. There are eight 1K x 8 blocks that can be write protected individually in any combination required by the user. Block Protect, in addition to Write Control input, allows the different segments of the memory to have varying degrees of alterability in normal system operation.

For further information on the X88C64 hardware interface, consult the X88C64 Data Sheet.

PIN CONFIGURATION



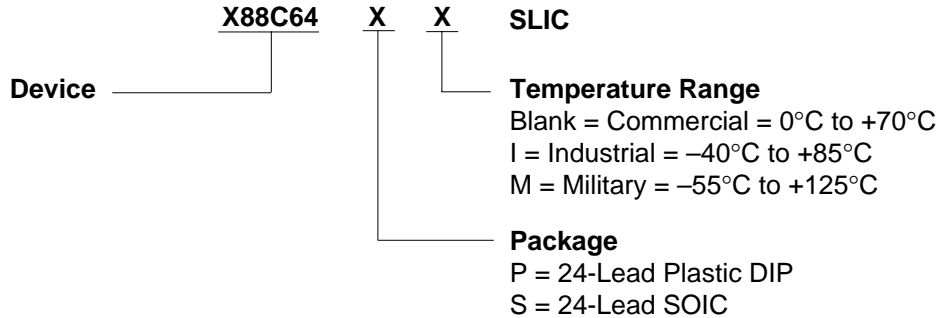
PIN NAMES

Symbol	Description
ALE	Address Latch Enable
A/D ₀ -A/D ₇	Address Inputs/Data I/O
A ₈ -A ₁₂	Address Inputs
\overline{RD}	Read Input
\overline{WR}	Write Input
\overline{PSEN}	Program Store Enable Input
\overline{CE}	Chip Enable
\overline{WC}	Write Control
V _{SS}	Ground
V _{CC}	Supply Voltage

6540 PGM T01

X88C64 SLIC® E²

ORDERING INFORMATION



LIMITED WARRANTY

Devices sold by Xicor, Inc. are covered by the warranty and patent indemnification provisions appearing in its Terms of Sale only. Xicor, Inc. makes no warranty, express, statutory, implied, or by description regarding the information set forth herein or regarding the freedom of the described devices from patent infringement. Xicor, Inc. makes no warranty of merchantability or fitness for any purpose. Xicor, Inc. reserves the right to discontinue production and change specifications and prices at any time and without notice.

Xicor, Inc. assumes no responsibility for the use of any circuitry other than circuitry embodied in a Xicor, Inc. product. No other circuits, patents, licenses are implied.

US. PATENTS

Xicor products are covered by one or more of the following U.S. Patents: 4,263,664; 4,274,012; 4,300,212; 4,314,265; 4,326,134; 4,393,481; 4,404,475; 4,450,402; 4,486,769; 4,488,060; 4,520,461; 4,533,846; 4,599,706; 4,617,652; 4,668,932; 4,752,912; 4,829,482; 4,874,967; 4,883,976; 4,980,859; 5,012,132; 5,003,197; 5,023,694. Foreign patents and additional patents pending.

LIFE RELATED POLICY

In situations where semiconductor component failure may endanger life, system designers using this product should design the system with appropriate error detection and correction, redundancy and back-up features to prevent such an occurrence.

Xicor's products are not authorized for use as critical components in life support devices or systems.

1. Life support devices or systems are devices or systems which, (a) are intended for surgical implant into the body, or (b) support or sustain life, and whose failure to perform, when properly used in accordance with instructions for use provided in the labeling, can be reasonably expected to result in a significant injury to the user.
2. A critical component is any component of a life support device or system whose failure to perform can be reasonably expected to cause the failure of the life support device or system, or to affect its safety or effectiveness.