

REGULATED DC/DC CONVERTERS

FEATURES:

- HIGH PERFORMANCE TT INPUT FILTER
- SHORT CIRCUIT PROTECTED
- EXTREMELY LOW OUTPUT NOISE
- HIGHLY REGULATED FLOATING OUTPUTS
- LOW INPUT REFLECTED RIPPLE
- P.C. CARD MOUNTING



SPECIFICATIONS:

- **INPUT REFLECTED RIPPLE**
1% of input voltage (max.)
- **OUTPUT VOLTAGE TOLERANCE**
Factory set at $\pm 1\%$ (fixed)
- **REGULATION**
Line-0.05%
Load-0.05%; 0.1% for PR87S
- **RIPPLE AND NOISE**
1 MV RMS (max.)
- **INPUT-OUTPUT ISOLATION**
500 VDC (min.)
- **OPERATING TEMPERATURE**
-25°C to +71°C
- **STORAGE TEMPERATURE**
-55°C to +85°C
- **EFFICIENCY**
Nominal line at full load 55-65%

SINGLE VOLTAGE UNITS	INPUT VOLTAGE $\pm 10\%$	OUTPUT VOLTAGE (VDC)	OUTPUT CURRENT (mA)	CASE STYLE	MODEL NUMBER	PRICE 1-9 QTY.
	5VDC	5	600	B1	PR87S	\$ 63.00
		5	1000	C1	PR88S	69.00
		5	2000	A1	PR89S	95.00
		12	400	B1	PR12S	69.00
		15	300	B1	PR15S	69.00
	9VDC	5	600	B1	PR87S-9	63.00
		5	1000	C1	PR88S-9	69.00
		5	2000	A1	PR89S-9	95.00
		12	400	B1	PR12S-9	69.00
15		300	B1	PR15S-9	69.00	
12VDC	5	600	B1	PR87S-12	63.00	
	5	1000	C1	PR88S-12	69.00	
	5	2000	A1	PR89S-12	95.00	
	12	400	B1	PR12S-12	69.00	
	15	300	B1	PR15S-12	69.00	
15VDC	5	600	B1	PR87S-15	63.00	
	5	1000	C1	PR88S-15	69.00	
	5	2000	A1	PR89S-15	95.00	
	12	400	B1	PR12S-15	69.00	
	15	300	B1	PR15S-15	69.00	
24VDC	5	600	B1	PR87S-24	63.00	
	5	1000	C1	PR88S-24	69.00	
	5	2000	A1	PR89S-24	95.00	
	12	400	B1	PR12S-24	69.00	
	15	300	B1	PR15S-24	69.00	
28VDC	5	600	B1	PR87S-28	63.00	
	5	1000	C1	PR88S-28	69.00	
	5	2000	A1	PR89S-28	95.00	
	12	400	B1	PR12S-28	69.00	
	15	300	B1	PR15S-28	69.00	
36VDC	5	600	B1	PR87S-36	63.00	
	5	1000	C1	PR88S-36	69.00	
	5	2000	A1	PR89S-36	95.00	
	12	400	B1	PR12S-36	69.00	
	15	300	B1	PR15S-36	69.00	
48VDC	5	500	B1*	PR87S-48	63.00	
	5	1000	B1*	PR88S-48	69.00	
	12	450	B1*	PR12S-48	69.00	
	15	350	B1*	PR15S-48	69.00	

REGULATED DC/DC CONVERTERS (continued)

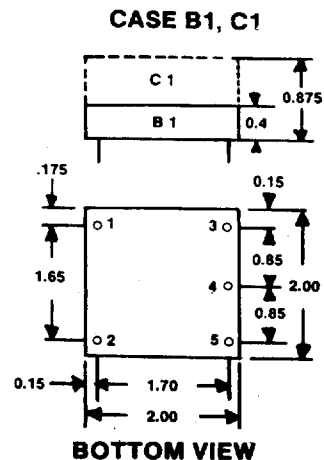
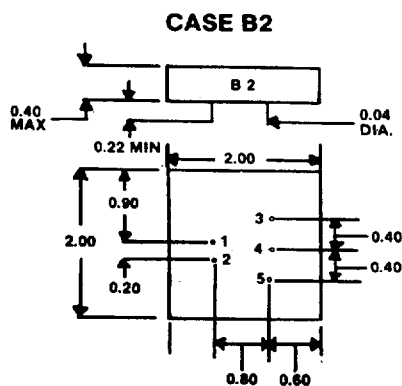
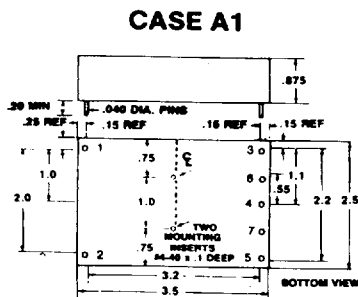
	INPUT VOLTAGE (± 10%)	OUTPUT VOLTAGE (VDC)	OUTPUT CURRENT (mA)	CASE STYLE	MODEL NUMBER	PRICE 1-9 QTY.
DUAL VOLTAGE	5VDC	±12	±150	B1*	PR81-12	\$ 63.00
		±12	±250	B1*	PR82-12	69.00
		±12	±350	A1	PR83-12	91.00
		±15	±150	B1*	PR81-15	63.00
		±15	±250	B1*	PR82-15	69.00
		±15	±350	A1	PR83-15	92.00
	9VDC	±12	±150	B1*	PR81-12-9	61.00
		±12	±250	B1*	PR82-12-9	67.00
		±12	±350	A1	PR83-12-9	88.00
		±15	±150	B1*	PR81-15-9	61.00
±15		±250	B1*	PR82-15-9	67.00	
±15		±350	A1	PR83-15-9	92.00	
12VDC	±12	±150	B1*	PR81-12-12	61.00	
	±12	±250	B1*	PR82-12-12	67.00	
	±12	±350	A1	PR83-12-12	88.00	
	±15	±150	B1*	PR81-15-12	61.00	
	±15	±250	B1*	PR82-15-12	67.00	
	±15	±350	A1	PR83-15-12	92.00	
15VDC	±12	±150	B1*	PR81-12-15	61.00	
	±12	±250	B1*	PR82-12-15	67.00	
	±12	±350	A1	PR83-12-15	88.00	
	±15	±150	B1*	PR81-15-15	61.00	
	±15	±250	B1*	PR82-15-15	67.00	
	±15	±350	A1	PR83-15-15	92.00	
24VDC	±12	±150	B1*	PR81-12-24	61.00	
	±12	±250	B1*	PR82-12-24	67.00	
	±12	±350	A1	PR83-12-24	88.00	
	±15	±150	B1*	PR81-15-24	61.00	
	±15	±250	B1*	PR82-15-24	67.00	
	±15	±350	A1	PR83-15-24	92.00	
36VDC	±12	±150	B1*	PR81-12-36	61.00	
	±12	±250	B1*	PR82-12-36	67.00	
	±12	±350	A1	PR83-12-36	88.00	
	±15	±150	B1*	PR81-15-36	61.00	
	±15	±250	B1*	PR82-15-36	67.00	
	±15	±350	A1	PR83-15-36	92.00	
48VDC	±12	±220	B1*	PR82-12-48	64.00	
	±15	±170	B1*	PR82-15-48	64.00	
TRIPLE VOLTAGE	5VDC	5/ ± 12	600/ ± 150	A1	PR97-12	98.00
		5/ ± 15	600/ ± 150	A1	PR97-15	98.00
	12VDC	5/ ± 12	600/ ± 150	A1	PR97-12-12	98.00
		5/ ± 15	600/ ± 150	A1	PR97-15-12	98.00
24VDC	5/ ± 12	600/ ± 150	A1	PR97-12-24	98.00	
	5/ ± 15	600/ ± 150	A1	PR97-15-24	98.00	

CONNECTIONS (A1, B1, B2)

PINS	SINGLE OUTPUT	DUAL OUTPUT	TRIPLE OUTPUT
1	+ VDC IN	+ VDC IN	+ VDC IN
2	- VDC IN	- VDC IN	- VDC IN
3	+ VDC OUT	+ VDC OUT	COM (5)
4	NO CONNECTION	COMMON OUT	-12/-15
5	- VDC OUT	- VDC OUT	+12/+15
6	NO PIN	NO PIN	+5 VDC
7	NO PIN	NO PIN	COM (12/15)

* Available in alternate pin configuration case B2 add suffix "C" after model number

Other voltages and currents available upon request



POLYTRON DEVICES, INC.

P.O. BOX 398, Paterson, NJ 07544 • Tel: (973) 345-5885 • FAX: (973) 345-1264

7247478 0000214 966