

PLEASE CHECK WWW.MOLEX.COM FOR LATEST PART INFORMATION

Part Number: [0533094070](#)
Status: **Active**
Description: 0.80mm (.031") Pitch Board-to-Board Header, Surface Mount, Dual Row, Right Angle, Lead-free, 40 Circuits

Documents:

[3D Model](#) [Product Specification PS-52588-031 \(PDF\)](#)
[Drawing \(PDF\)](#) [RoHS Certificate of Compliance \(PDF\)](#)
[Product Specification PS-52465-014 \(PDF\)](#)

General

Product Family PCB Headers
 Series [53309](#)
 Application Board-to-Board
 Product Name N/A

Physical

Breakaway No
 Circuits (Loaded) 40
 Circuits (maximum) 40
 Color - Resin Natural
 Durability (mating cycles max) 30
 First Mate / Last Break No
 Glow-Wire Compliant No
 Guide to Mating Part No
 Keying to Mating Part None
 Lock to Mating Part Yes
 Mated Height (in) 0.222 In, 0.262 In
 Mated Height (mm) 5.65 mm, 6.65 mm
 Material - Metal Phosphor Bronze
 Material - Plating Mating Tin
 Material - Plating Termination Tin
 Material - Resin High Temperature Thermoplastic
 Number of Rows 2
 Orientation Right Angle
 PC Tail Length (in) 0.016 In, 0.020 In
 PC Tail Length (mm) 0.40 mm, 0.50 mm
 PCB Locator No
 PCB Retention None
 Packaging Type Embossed Tape on Reel
 Pitch - Mating Interface (in) 0.031 In
 Pitch - Mating Interface (mm) 0.80 mm
 Plating min: Mating (µin) 40
 Plating min: Mating (µm) 1
 Plating min: Termination (µin) 40
 Plating min: Termination (µm) 1
 Polarized to PCB No
 Shrouded Fully
 Stackable No
 Temperature Range - Operating -20°C to +105°C
 Termination Interface: Style Surface Mount

Electrical

Current - Maximum per Contact 0.5A
 Voltage - Maximum 50V

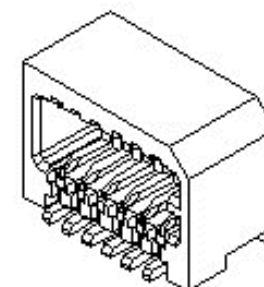


image - Reference only

Series

EU RoHS

ELV and RoHS Compliant
REACH SVHC
 Not Reviewed
Halogen-Free Status
 Not Reviewed

China RoHS



Need more information on product environmental compliance?

Email productcompliance@molex.com
 For a multiple part number RoHS Certificate of Compliance, [click here](#)

Please visit the [Contact Us](#) section for any non-product compliance questions.

Search Parts in this Series

[53309Series](#)

Mates With

Board-to-Board Receptacle [52465](#) , [52588](#)

Material Info

Reference - Drawing Numbers

Product Specification

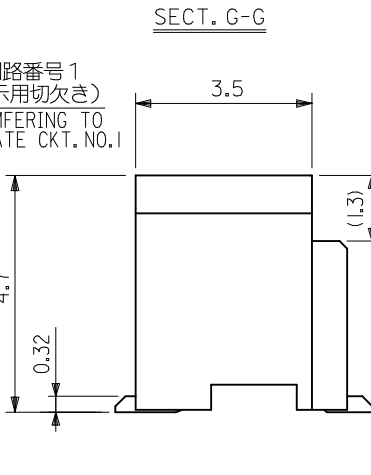
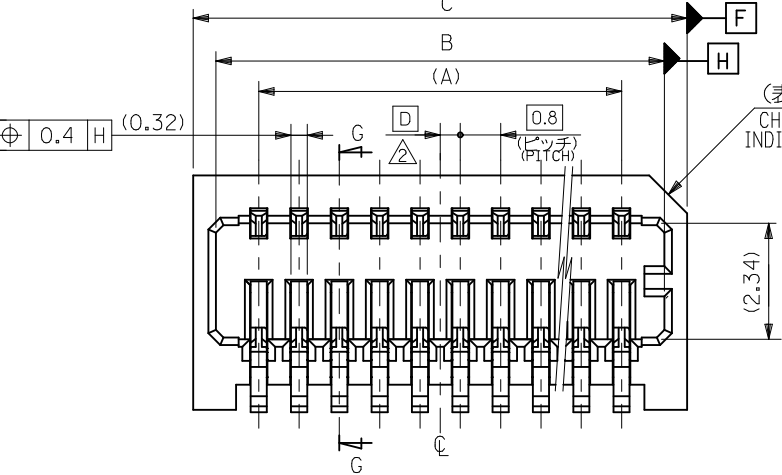
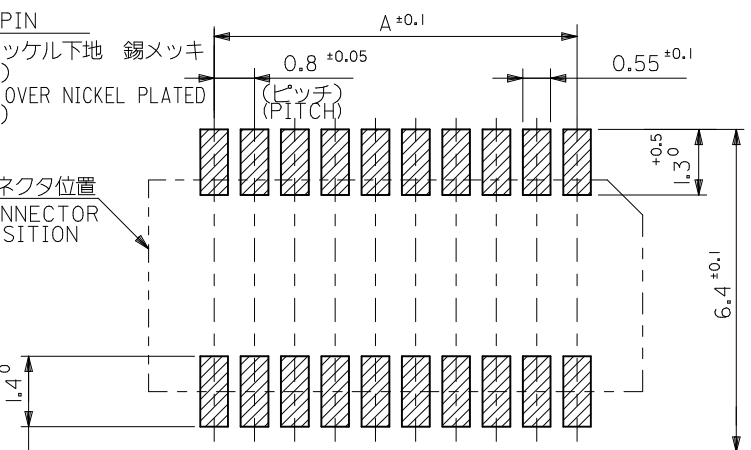
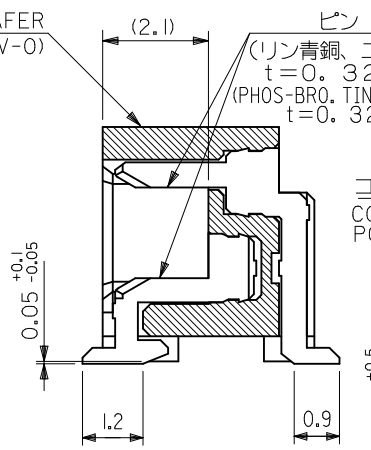
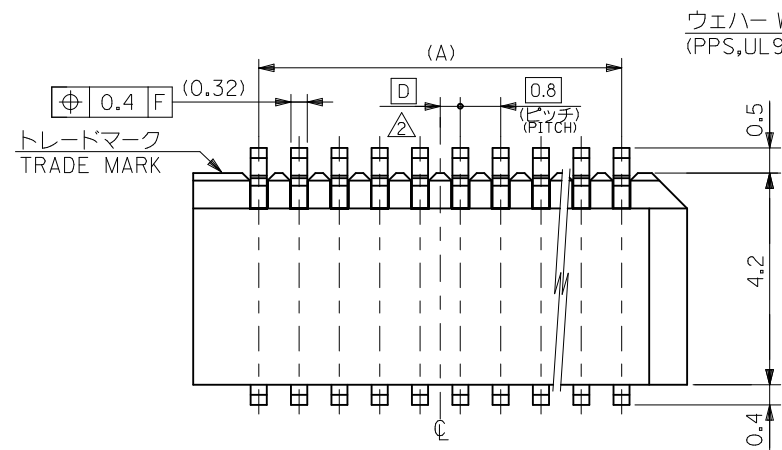
PS-52465-014, PS-52588-031, RPS-52465-042,
RPS-52465-047, RPS-52465-049, RPS-52588-040,
RPS-52588-041

Sales Drawing

SD-53309-011, SD-53309-012

This document was generated on 04/16/2010

PLEASE CHECK WWW.MOLEX.COM FOR LATEST PART INFORMATION

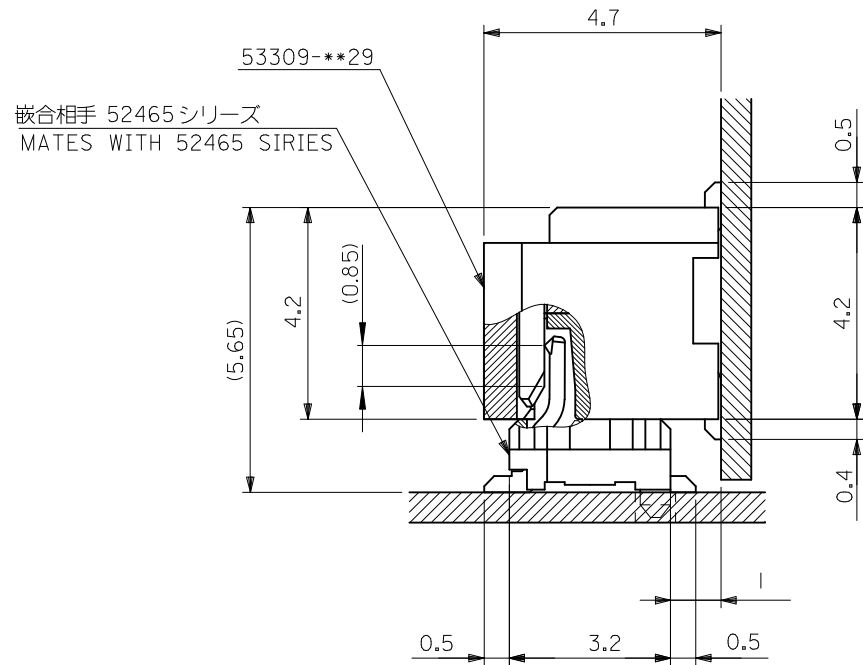


0.4	17.8	16.9	15.2	53309-4029	40	
0.8	17.0	16.1	14.4	-3829	38	
0.4	16.2	15.3	13.6	-3629	36	
0.8	15.4	14.5	12.8	-3429	34	
0.4	14.6	13.7	12.0	-3229	32	
0.8	13.8	12.9	11.2	-3029	30	
0.4	13.0	12.1	10.4	-2829	28	
0.8	12.2	11.3	9.6	-2629	26	
0.4	11.4	10.5	8.8	-2429	24	
0.8	10.6	9.7	8.0	-2229	22	
0.4	9.8	8.9	7.2	-2029	20	
0.8	9.0	8.1	6.4	-1829	18	
0.4	8.2	7.3	5.6	-1629	16	
0.8	7.4	6.5	4.8	-1429	14	
0.4	6.6	5.7	4.0	-1229	12	
53309-**29	0.8	5.8	4.9	3.2	53309-1029	10
MODEL NO.	D	C	B	A	MATERIAL NO.	極数 CKT.

REVISED EC NO: J2010-1285 DRWN: YON002 2009/12/17 CHKD: SMARUYAMA 2009/12/17 APPR: SMARUYAMA 2009/12/17	GENERAL TOLERANCES (UNLESS SPECIFIED)		DIMENSION STYLE MM ONLY		SCALE ---	DESIGN UNITS METRIC	THIRD ANGLE PROJECTION
	10 UNDER	±0.2	DRAWN BY M. NINOMIYA	DATE 2004/03/10	TITLE 0.8 B/B CONN. WAFER ASS'Y R/A SMT (WITHOUT BOSS)		
	10 OVER 30 UNDER	±0.25	CHECKED BY K. TOJO	DATE 2004/03/10	MOLEX INCORPORATED		
	30 OVER	±0.3	APPROVED BY M. SASAO	DATE 2004/03/10	DOCUMENT NO. SD-53309-011		
REV	DESCRIPTION	ANGULAR ±3 °	DRAFT WHERE APPLICABLE MUST REMAIN WITHIN DIMENSIONS		SIZE A3	SHEET NO. 1 OF 2	

注記 NOTES

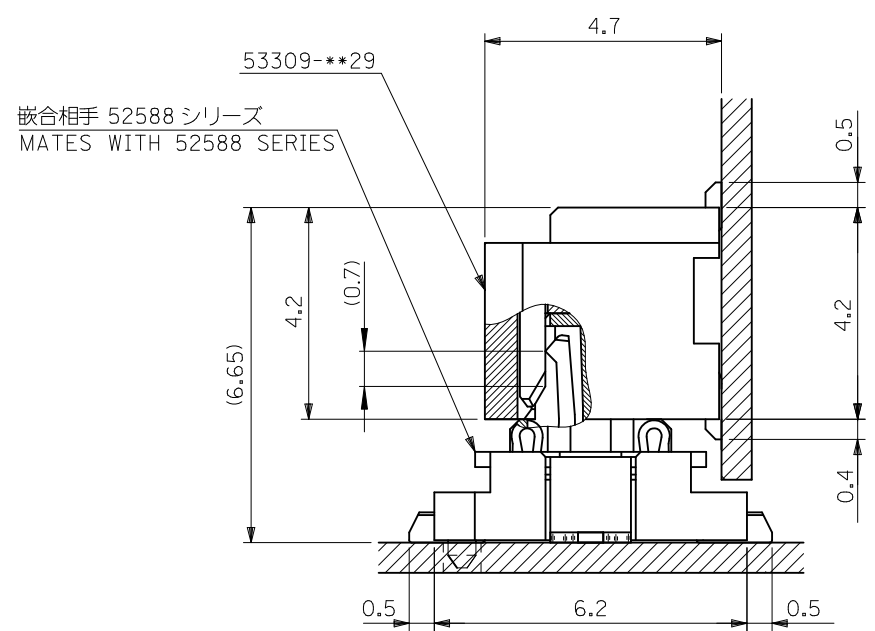
1. 嵌合相手: 52465,52588 シリーズ
MATE WITH : 52465,52588 SERIES
2. ウエハーの C から隣接するピンの C 迄の位置を示す。
SHOW POSITION FROM C OF WAFER TO C OF ADJACENT PINS.
3. 本製品は 53309-**27 の鉛フリー品である。
THIS PRODUCT IS LEAD FREE OF 53309-**27



嵌合相手 52465シリーズ
MATES WITH 52465 SERIES

53309-***29

嵌合状態図 (参考)
MATED DRAWING(REF.)

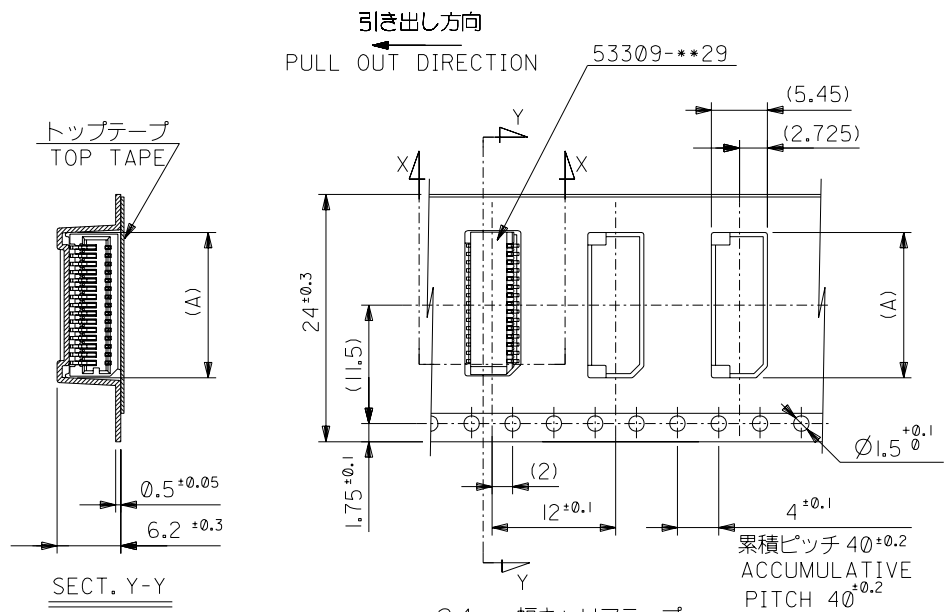


嵌合相手 52588シリーズ
MATES WITH 52588 SERIES

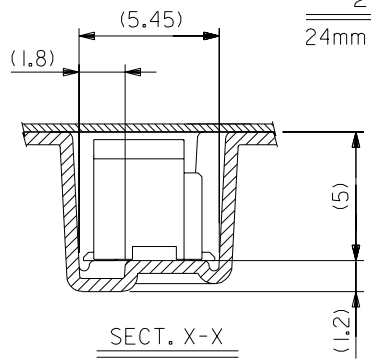
53309-***29

嵌合状態図 (参考)
MATED DRAWING(REF.)

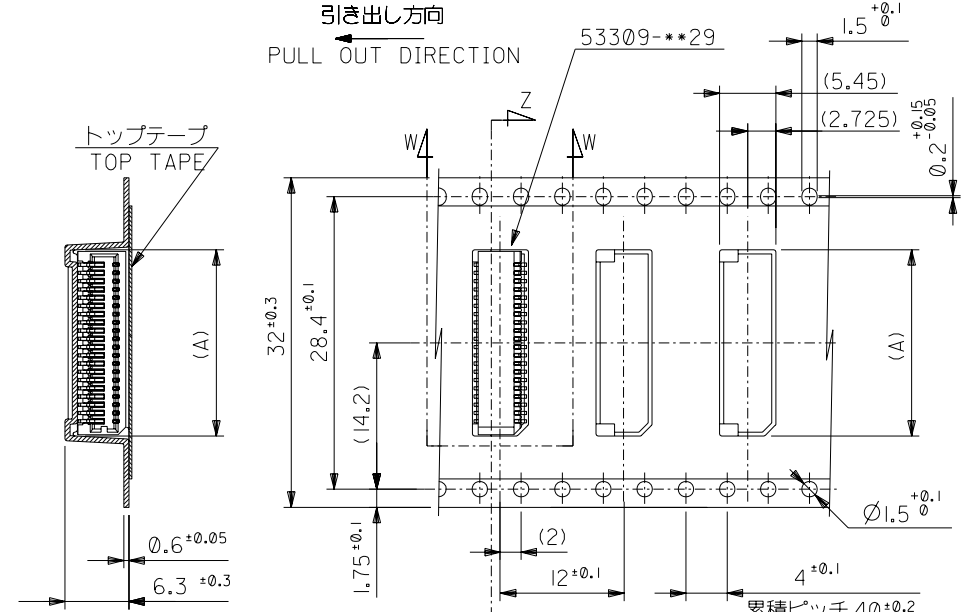
REVISED EC NO: J2010-1285 DRWN: YON002 2009/12/17 CHKD: SMARUYAMA 2009/12/17 APPR: SMARUYAMA 2009/12/17	GENERAL TOLERANCES (UNLESS SPECIFIED)		DIMENSION STYLE MM ONLY		SCALE ---	DESIGN UNITS METRIC	THIRD ANGLE PROJECTION	
	10 UNDER	±0.2	DRAWN BY M. NINOMIYA	DATE 2004/03/10	TITLE 0.8 B/B CONN.WAFER ASS'Y R/A SMT(WITHOUT BOSS)			
	10 OVER 30 UNDER	±0.25	CHECKED BY K. TOJO	DATE 2004/03/10				
	30 OVER	±0.3	APPROVED BY M. SASAO	DATE 2004/03/10	MOLEX INCORPORATED			
	ANGULAR ±3 °		MATERIAL NO. SEE SHEET 1					
DRAFT WHERE APPLICABLE MUST REMAIN WITHIN DIMENSIONS		THIS DRAWING CONTAINS INFORMATION THAT IS PROPRIETARY TO MOLEX INCORPORATED AND SHOULD NOT BE USED WITHOUT WRITTEN PERMISSION						



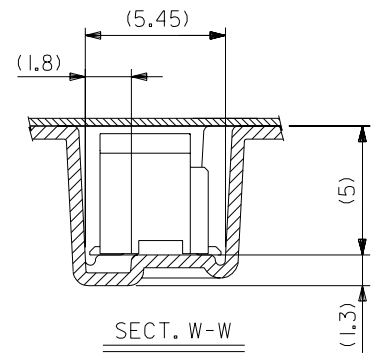
24mm幅キャリアテープ
24mm WIDTH CARRIER TAPE



SECT. X-X



32mm幅キャリアテープ
32mm WIDTH CARRIER TAPE



SECT. W-W

24	29.4	25.4	16.5	53309-3670	36
			15.7	53309-3470	34
			14.9	53309-3270	32
			14.1	53309-3070	30
			13.3	53309-2870	28
			12.5	53309-2670	26
			11.7	53309-2470	24
			10.9	53309-2270	22
10.1	53309-2070	20			
キャリアテープ幅 CARRIER TAPE WIDTH	C	B	(A)	MATERIAL NO.	極数 CIRCUIT

53309-***70		M.N. K.	
MODEL NO.		04/03/10	
角度 ANGLE	+3°	DR.	日付 DATE
30以上 OVER	+0.3	CHK.	
10以上 30未満 UNDER	+0.25	新規作成 (J2004-2995) RELEASED	
未満 10 UNDER	+0.2	変更内容 REVISION RECORD	
一般公差 GENERAL TOLERANCES			

32	37.4	33.4	18.1	53309-4070	40
キャリアテープ幅 CARRIER TAPE WIDTH	C	B	(A)	53309-3870	38
			MATERIAL NO.		極数 CIRCUIT

材料 MATERIAL
SHEET 1 OF 2 参照 REFER TO SHEET 1 OF 2

仕上げ FINISH —

適用電線範囲 WIRE RANGE —

被覆外径 INS. RANGE —

DRAWN BY 04/03/10 M.NINOMIYA
CHK'D BY 04/03/10 K.TOJO

APP'D BY 04/03/10 M.SASAO

材料 M.OLEX-JAPAN CO.,LTD.
日本モレックス株式会社

REVISE ONLY ON CAD SYSTEM

TITLE 名称
0.8 BtB Wafer Assy
RA SMT Without Boss
Embstp Pkg
-LEAD FREE-

DWG. NO. (SHEET 2 OF 2) REV 0
SD-53309-012