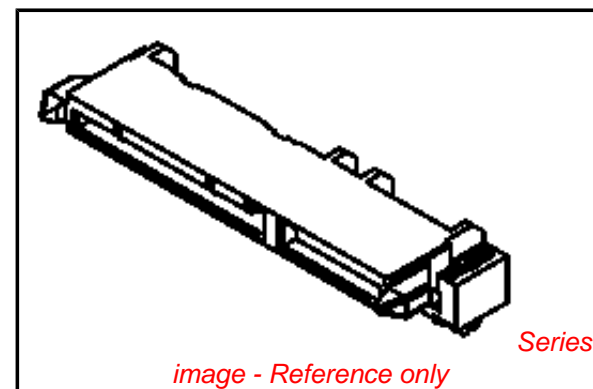


PLEASE CHECK WWW.MOLEX.COM FOR LATEST PART INFORMATION

Part Number: [0674921730](#)
Status: **Active**
Overview: serial ata 127 host receptacles
Description: 1.27mm (.050") Pitch Serial ATA Host Receptacle, SMT, Right Angle, Mating Height 3.70mm (.146"), Gold (Au) Flash, White Housing, with Cap, Embossed Tape on Reel Packaging, 22 Circuits, Lead Free

Documents:

[3D Model](#) [RoHS Certificate of Compliance \(PDF\)](#)
[Drawing \(PDF\)](#)



General

Product Family	PCB Receptacles
Series	67492
Application	Board-to-Board
Comments	With Cap
Overview	serial ata 127 host receptacles
Product Name	Serial ATA

Physical

Circuits (Loaded)	22
Circuits (maximum)	22
Color - Resin	White
Durability (mating cycles max)	500
Glow-Wire Compliant	No
Guide to Mating Part	Yes
Keying to Mating Part	Yes
Lock to Mating Part	None
Material - Metal	Copper Alloy
Material - Plating Mating	Gold
Material - Plating Termination	Tin
Material - Resin	High Temperature Thermoplastic
Number of Rows	1
Orientation	Right Angle
PCB Locator	Yes
PCB Retention	Yes
PCB Thickness Recommended (in)	0.045 In
PCB Thickness Recommended (mm)	1.20 mm
Packaging Type	Embossed Tape on Reel
Pitch - Mating Interface (in)	0.050 In
Pitch - Mating Interface (mm)	1.27 mm
Pitch - Term. Interface (in)	0.050 In
Pitch - Term. Interface (mm)	1.27 mm
Plating min: Mating (µin)	2
Plating min: Mating (µm)	0.05
Plating min: Termination (µin)	50
Plating min: Termination (µm)	1.27
Polarized to Mating Part	Yes
Polarized to PCB	Yes
Robotic Placement	Pick and Place Cap
Stackable	No
Temperature Range - Operating	-35°C to +85°C
Termination Interface: Style	Surface Mount

Electrical

Current - Maximum per Contact	1.5A
-------------------------------	------

EU RoHS

ELV and RoHS Compliant
REACH SVHC
 Not Reviewed
Halogen-Free Status

China RoHS



Not Reviewed

Need more information on product environmental compliance?

Email productcompliance@molex.com
 For a multiple part number RoHS Certificate of Compliance, [click here](#)

Please visit the [Contact Us](#) section for any non-product compliance questions.

Search Parts in this Series

[67492Series](#)

Mates With

[87703](#) , [87672](#) Serial ATA Plugs

Voltage - Maximum

15V DC

Material Info

Reference - Drawing Numbers

Packaging Specification

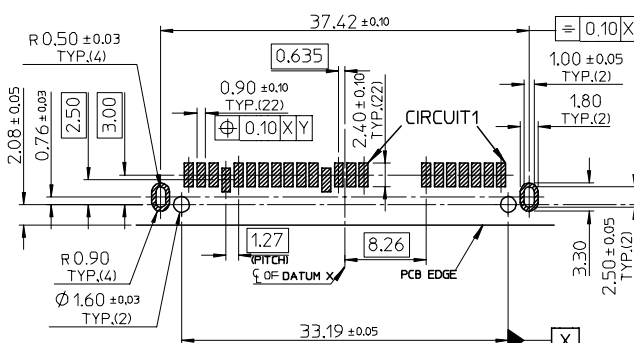
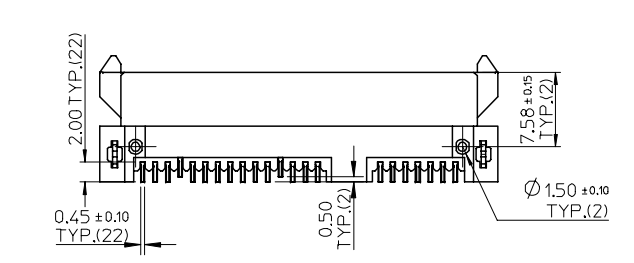
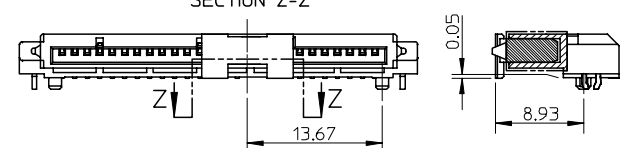
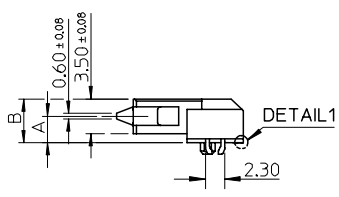
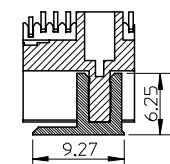
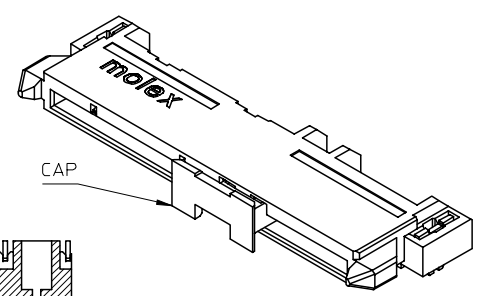
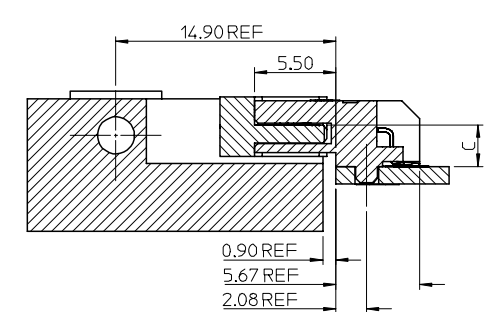
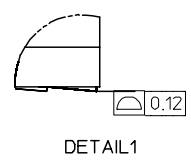
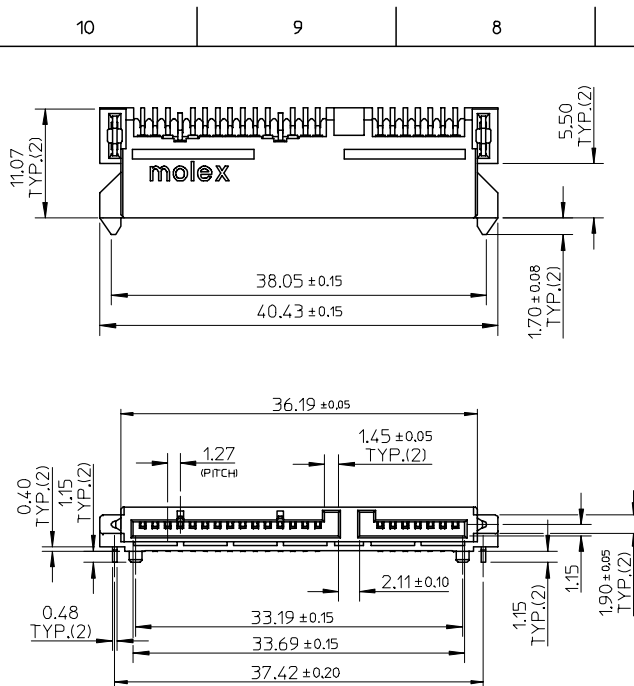
PK-67492-006

Sales Drawing

SD-67492-008

This document was generated on 05/31/2010

PLEASE CHECK WWW.MOLEX.COM FOR LATEST PART INFORMATION



P/N	PLATING	DIM'A'	DIM'B'	DIM'C'	HUSING COLOR	REMARK
67492-1630	NOTES 2 (A)					
67492-1631	NOTES 2 (B)	2.70	4.45	2.80	BLACK	WITH CAP
67492-1632	NOTES 2 (C)					
67492-1730	NOTES 2 (A)					
67492-1731	NOTES 2 (B)	1.95	3.70	2.05	WHITE	WITHOUT CAP
67492-1732	NOTES 2 (C)					
67492-1620	NOTES 2 (A)					
67492-1621	NOTES 2 (B)	2.70	4.45	2.80	BLACK	WITHOUT CAP
67492-1622	NOTES 2 (C)					
67492-1720	NOTES 2 (A)					
67492-1721	NOTES 2 (B)	1.95	3.70	2.05	WHITE	
67492-1722	NOTES 2 (C)					

- NOTES:
- MATERIAL: HOUSING: HIGH TEMPERATURE THERMAL PLASTIC, UL94V-0, COLOR: REFER TO TABLE IN SHEET 2. TERMINAL: COPPER ALLOY; FORKLOCK: COPPER ALLOY.
 - TERMINAL PLATING : CONTACT AREA: (A) GOLD FLASH; (B) GOLD, THICKNESS=0.76 MICRONS MINIMUM; (C) GOLD, THICKNESS=0.38 MICRONS MINIMUM; SOLDER AREA: TIN, THICKNESS=1.27 MICRONS MINIMUM; UNDER PLATE: NICKEL, THICKNESS=1.27 MICRONS MINIMUM.
 - FORKLOCK PLATING: SOLDER AREA: TIN, THICKNESS=1.27 MICRONS MINIMUM; UNDER PLATE: NICKEL, THICKNESS=1.27 MICRONS MINIMUM.
 - PRODUCT SPECIFICATION: REFER TO PS-67492-001.
 - PACKAGING METHOD: TAPE REEL, 67492-163* REFER TO PK-67492-005; 67492-173* REFER TO PK-67492-006.
 - MATING PARTS: 87703/87672.

RTM	EC NO:	2006/02/08	QUALITY SYMBOLS ▽=0 ◇=0	GENERAL TOLERANCES (UNLESS SPECIFIED)		DIMENSION STYLE MM ONLY		SCALE 2:1	DESIGN UNITS METRIC	THIRD ANGLE PROJECTION		
	DRWN:GLLI	2006/02/28			mm	INCH	DRAWN BY DIXON LI	DATE 2005/12/22	TITLE SATA HOST RECEPTACLE R/A SMT TYPE -LEAD FREE-			
	CHKD:				4 PLACES ± --- ± ---		CHECKED BY JANNY ZENG	DATE 2005/12/22	MOLEX MOLEX INCORPORATED			
	APPR:GRMA	2006/03/01			3 PLACES ± --- ± ---		APPROVED BY GRATE MA	DATE 2005/12/22	DOCUMENT NO. SD-67492-008			
				2 PLACES ± 0.15 ± ---		MATERIAL NO.		SHEET NO. 1 OF 1				
				1 PLACE ± 0.25 ± ---		DRAFT WHERE APPLICABLE MUST REMAIN WITHIN DIMENSIONS		THIS DRAWING CONTAINS INFORMATION THAT IS PROPRIETARY TO MOLEX INCORPORATED AND SHOULD NOT BE USED WITHOUT WRITTEN PERMISSION				
						ANGULAR ± 3 °		SIZE A3				