

PLEASE CHECK WWW.MOLEX.COM FOR LATEST PART INFORMATION

Part Number: [0475969933](#)
Status: **Active**
Description: LGA 1156 Back-plate Assembly, Shoulder Screw and 2 Pan Screws for 1U Server, Lead-free

Documents:

[Drawing \(PDF\)](#) [RoHS Certificate of Compliance \(PDF\)](#)
[Product Specification PS-47596-001 \(PDF\)](#)

General

Product Family	Processor Sockets
Series	47596
Component Type	Back Plate Assembly
Product Name	LGA1156

Physical

Circuits (Loaded)	N/A
Durability (mating cycles max)	20
Material - Metal	Steel
Material - Plating Mating	Nickel
Packaging Type	Tray
Pitch - Mating Interface (in)	0.000 In
Pitch - Mating Interface (mm)	0.00 mm
Temperature Range - Operating	-25°C to +100°C
Termination Interface: Style	Screw or Lug

Electrical

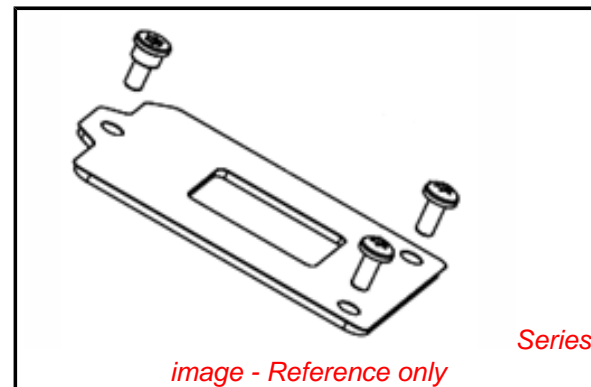
Current - Maximum per Contact	N/A
Voltage - Maximum	N/A

Material Info

Reference - Drawing Numbers

Packaging Specification	PK-47596-107
Product Specification	PS-47596-001
Sales Drawing	SD-47596-108

Intel and Nehalem and relevant names are either trademarks or registered trademarks of Intel Corporation



EU RoHS

ELV and RoHS Compliant
REACH SVHC
 Not Reviewed
Halogen-Free
Status
Not Reviewed

China RoHS



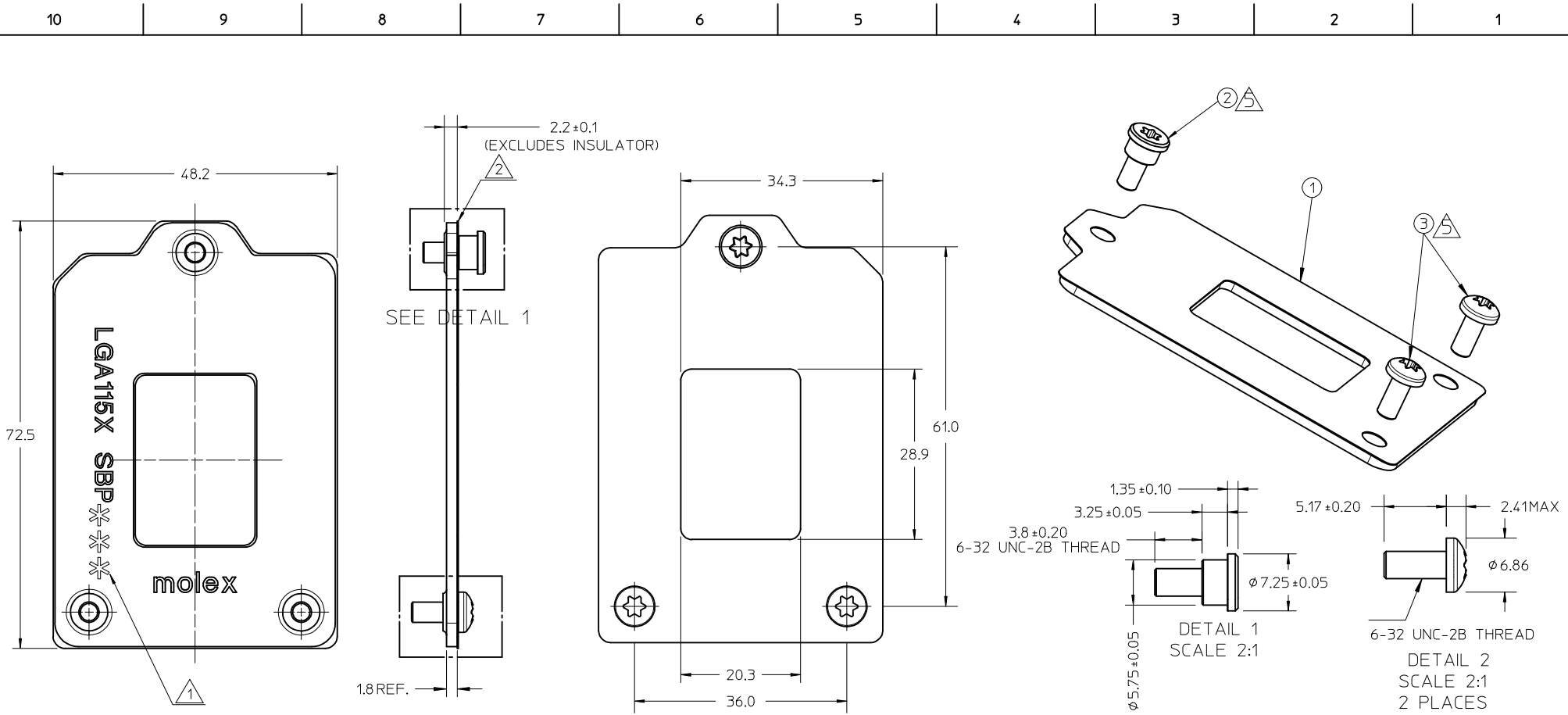
Need more information on product environmental compliance?

Email productcompliance@molex.com
 For a multiple part number RoHS Certificate of Compliance, [click here](#)

Please visit the [Contact Us](#) section for any non-product compliance questions.

Search Parts in this Series
[47596Series](#)

Mates With
 Intel* Nehalem Processor



NOTES:

① DATE CODE

*** WORKING DAY
 *** WORKING MONTH
 *** WORKING YEAR

② INSULATOR OVERHANGS ALL EXTERNAL EDGES.
 3. 6-32 UNC MIN. 2MM THREAD DEPTH
 4. PART IS COMPLIANT TO RoHS DIRECTIVE 2002/95/EC AND ELV 2000/53/EC.
 ⑤ SCREWS ARE PACKAGED INTO PLASTIC BAG AND SHIPPED WITH BACKPLATE.

PARTS LIST			
ITEM NO	QTY	DESCRIPTION	MATERIAL
	1	TOP ASSY W/SCREWS(47596-***33)	
①	1	SOCKET 115X BACK PLATE ASSY (47596-***23)	BACK PLATE(STEEL WITH NICKEL PLATING) INSULATOR(POLYPROPYLENE SHEET)
②	1	SHOULDER SCREW 6-32 (475976101)	LOW CARBON STEEL WITH NICKEL PLATING
③	2	PANHEAD SCREW 6-32(475976102)	LOW CARBON STEEL WITH NICKEL PLATING

ENTER DESCRIPTION	QUALITY SYMBOLS
EC NO: SH2010-0085	$F_v=0$
DRWN: ZHANG11 2009/09/25	$F_c=0$
CHKD: 2009/09/25	$F_p=0$
APPR: WEDENG 2009/10/12	

GENERAL TOLERANCES (UNLESS SPECIFIED)	DIMENSION STYLE	SCALE	DESIGN UNITS
	MM ONLY	1.5:1	METRIC
	mm INCH		THIRD ANGLE PROJECTION
4 PLACES ± --- ± ---	DRAWN BY	DATE	TITLE
3 PLACES ± --- ± ---	CHECKED BY	DATE	SKT 115X BACK PLATE ASSY WITH SCREWS FOR 1U SERVER
2 PLACES ± 0.13 ± ---	APPROVED BY	DATE	
1 PLACE ± 0.25 ± ---	ANGULAR ± 1/2°		molex MOLEX INCORPORATED
DRAFT WHERE APPLICABLE MUST REMAIN WITHIN DIMENSIONS		MATERIAL NO.	DOCUMENT NO.
		SEE TABLE	SD-47596-108
		SIZE A3	SHEET NO. 1 OF 1

47596-8833	WITH HALOGEN FREE
47596-9933	WITHOUT HALOGEN FREE
PART NO.	DESCRIPTION