



Obsolescence Notice

This product is obsolete.

This information is available for your convenience only.

For more information on Zarlink's obsolete products and replacement product lists, please visit

http://products.zarlink.com/obsolete_products/

***THIS DOCUMENT IS FOR MAINTENANCE
PURPOSES ONLY AND IS NOT
RECOMMENDED FOR NEW DESIGNS***

SP8610 1000MHz ÷ 4

SP8611 1300/1500MHz ÷ 4

The SP8610 and SP8611 are asynchronous ECL divide by four circuits with ECL compatible outputs which can also be used to drive 100Ω lines. They feature input sensitivities of 600mV p-p (800mV p-p above 1300MHz).

FEATURES

- ECL Compatible Outputs
- AC-Coupled Inputs (Internal Bias)

QUICK REFERENCE DATA

- Supply Voltage: -5.2V
- Power Consumption: 380mW
- Max. Input Frequency: 1500MHz (SP8611B)
- Temperature Range:
 - A Grade: -55°C to +110°C
(+125°C with suitable heat sink)
 - B Grade: 0°C to +70°C

ABSOLUTE MAXIMUM RATINGS

Supply voltage, V_{EE}	-8V
Output current	15mA
Storage temperature range	-65°C to +150°C
Max. junction temperature	+175°C
Max. clock input voltage	2.5V p-p

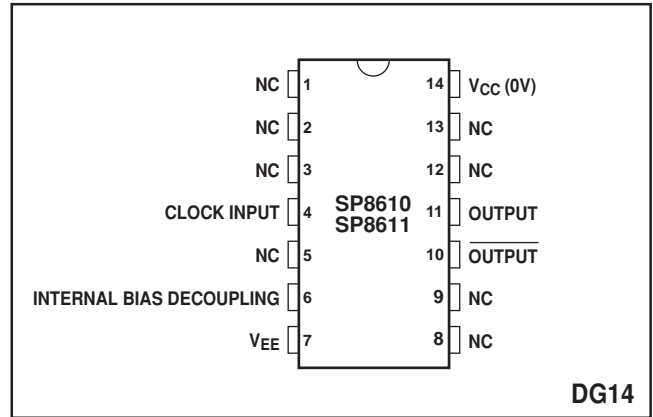


Fig. 1 Pin connections - top view

ORDERING INFORMATION

- SP8610 A DG
- SP8610 B DG
- SP8610 AA DG
- SP8610 NA 1C
- SP8611 A DG
- SP8611 B DG
- SP8611 AA DG
- SP8611 NA 1C

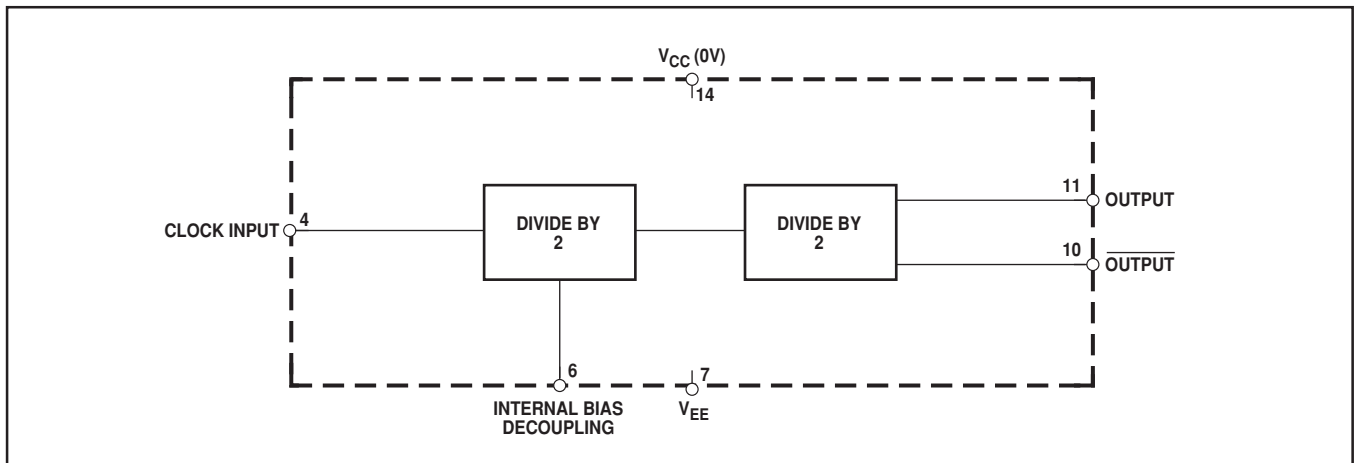


Fig. 2 Functional diagram

ELECTRICAL CHARACTERISTICS

Unless otherwise stated, the Electrical Characteristics are guaranteed over specified supply, frequency and temperature range

Supply voltage, $V_{CC} = 0V$, $V_{EE} = -5.2V \pm 0.25V$

Temperature, $T_{AMB} = -55^{\circ}C$ to $+125^{\circ}C$ (A Grade) (Note 1), $0^{\circ}C$ to $+70^{\circ}C$ (B Grade)

Characteristic	Symbol	Value		Units	Type	Conditions	Notes
		Min.	Max.				
Maximum frequency (sinewave input)	f_{MAX}	1.0		GHz	SP8605A,B	Input = 400-1200mV p-p	6
		1.3		GHz	SP8606A	Input = 800-1200mV p-p	6
		1.5		GHz	SP8606B	Input = 400-1200mV p-p	6
Minimum frequency (sinewave input)	f_{MIN}		150	MHz	All	Input = 600-1200mV p-p	4
Current consumption	I_{EE}		100	mA	All	$V_{EE} = -5.45V$, outputs unloaded	5
Output low voltage	V_{OL}	-1.92	-1.62	V	All	$V_{EE} = -5.2V$, $R_L = 430\Omega$ (25°C)	
Output high voltage	V_{OH}	-0.93	-0.75	V	All	$V_{EE} = -5.2V$, $R_L = 430\Omega$ (25°C)	
Minimum output swing	V_{OUT}	500		mV	All	$V_{EE} = -5.2V$, $R_L = 430\Omega$	5

NOTES

1. The A Grade devices must be used with a heat sink to maintain chip temperature below $+150^{\circ}C$ when operating in a T_{AMB} of $+125^{\circ}C$.
2. The temperature coefficients of $V_{OH} = +1.2mV/^{\circ}C$, and $V_{OL} = +0.24mV/^{\circ}C$ but these are not tested.
3. The test configuration for dynamic testing is shown in Fig.5.
4. Tested at $25^{\circ}C$ and $+125^{\circ}C$ only ($+70^{\circ}C$ for B grade).
5. Tested at $25^{\circ}C$ only
6. Tested at $+125^{\circ}C$ only ($+70^{\circ}C$ for B grade).

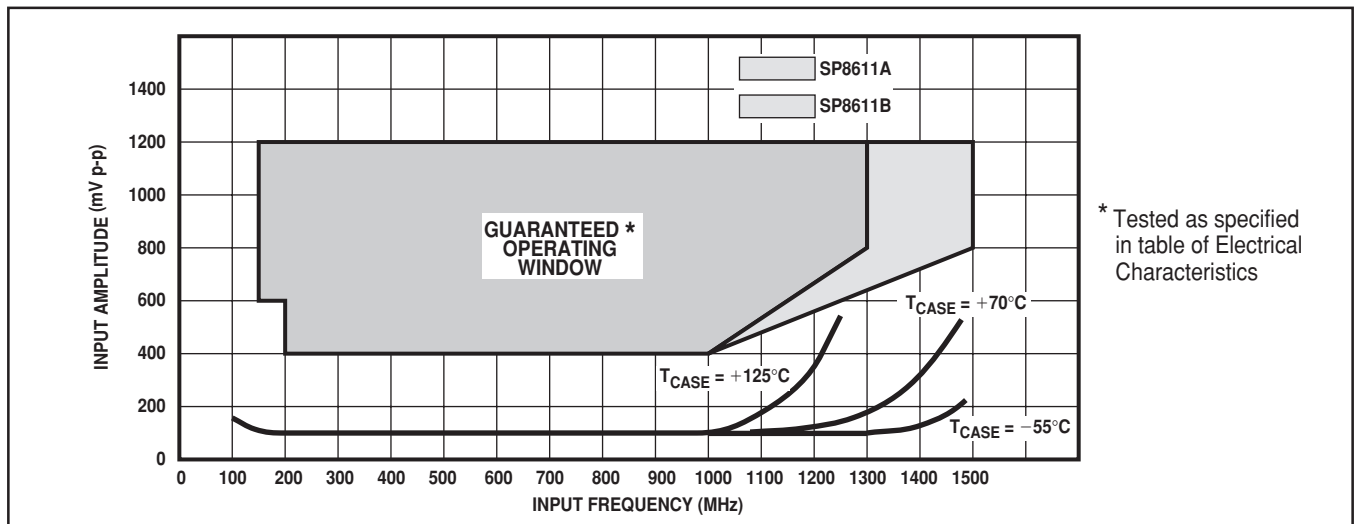


Fig. 3 Typical input characteristic of SP8611

THERMAL CHARACTERISTICS

θ_{JC} approximately $30^{\circ}C/W$

θ_{JA} approximately $110^{\circ}C/W$

OPERATING NOTES

1. The clock input (pin 4) should be capacitively coupled to the signal source. The input signal path is completed by connecting a capacitor from the internal bias decoupling, pin 6, to ground.
2. In the absence of a signal the device will self-oscillate. If this is undesirable, it may be prevented by connecting a $10k\Omega$ resistor from the unused input to V_{EE} i.e. from pin 4 to pin 7. This will reduce the input sensitivity by approximately 100mV.
3. The circuit will operate at very low input frequencies but slew rate must be better than $200V/\mu s$.

4. The input impedance of the SP8610/11 is a function of frequency, see Fig. 4.
5. The emitter follower outputs require external load resistors. These should not be less than 330Ω and a value of 430Ω is recommended. Interfacing to ECLIII/10K is shown in Fig. 7.
6. These devices may be used with split supply lines and ground referenced input; a suitable configuration is shown in Fig. 6.
7. All components should be suitable for the frequency in use.

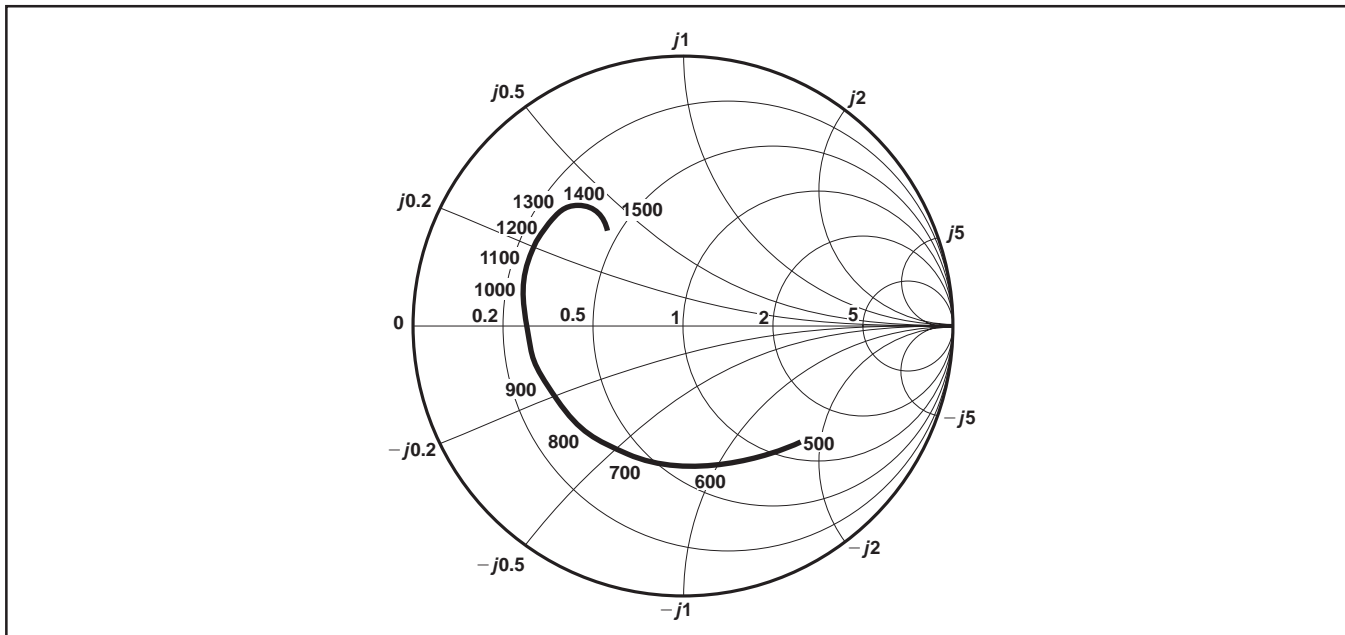


Fig. 4 Typical input impedance. Test conditions: supply voltage = $-5.2V$, ambient temperature = $25^{\circ}C$, frequencies in MHz, Impedances normalised to 50Ω

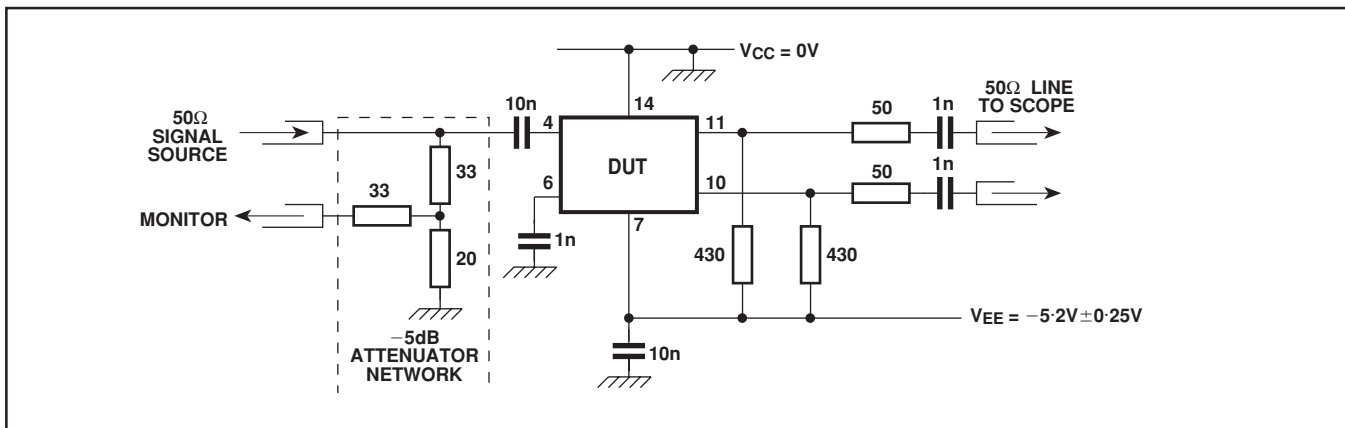


Fig. 5 Toggle frequency test circuit

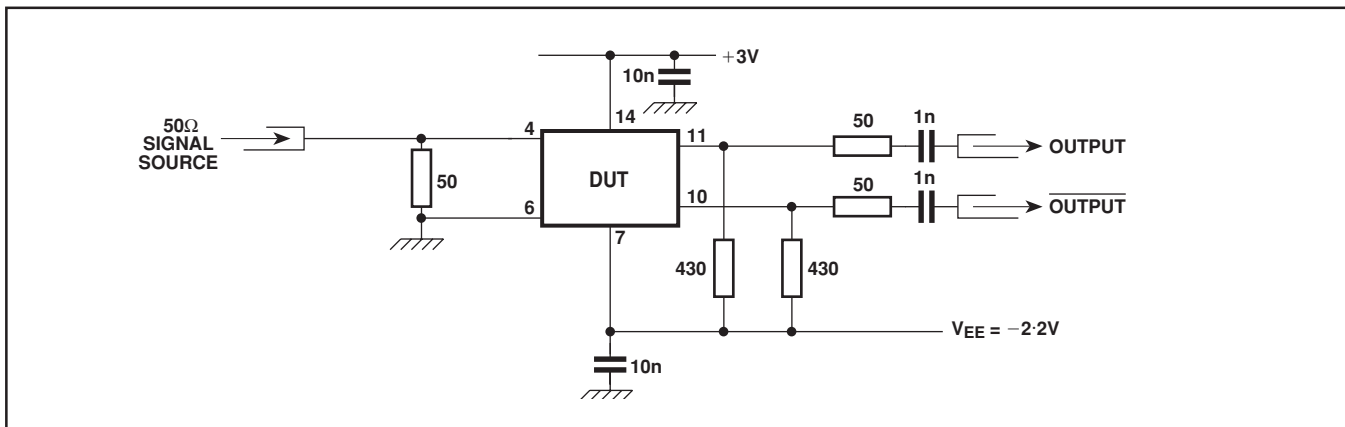


Fig. 6 Circuit for using the input signal about ground potential

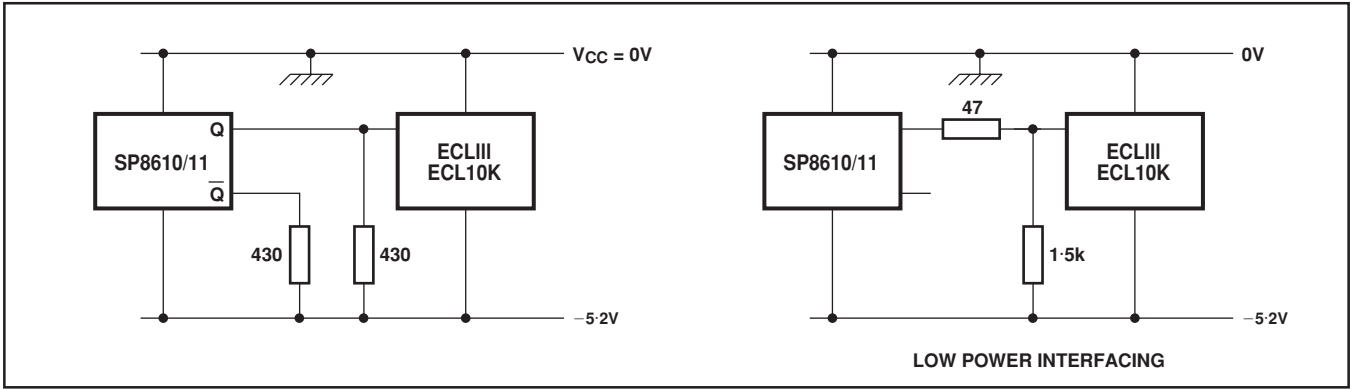


Fig. 7 Interfacing SP8610/11 to ECL10K and ECLIII

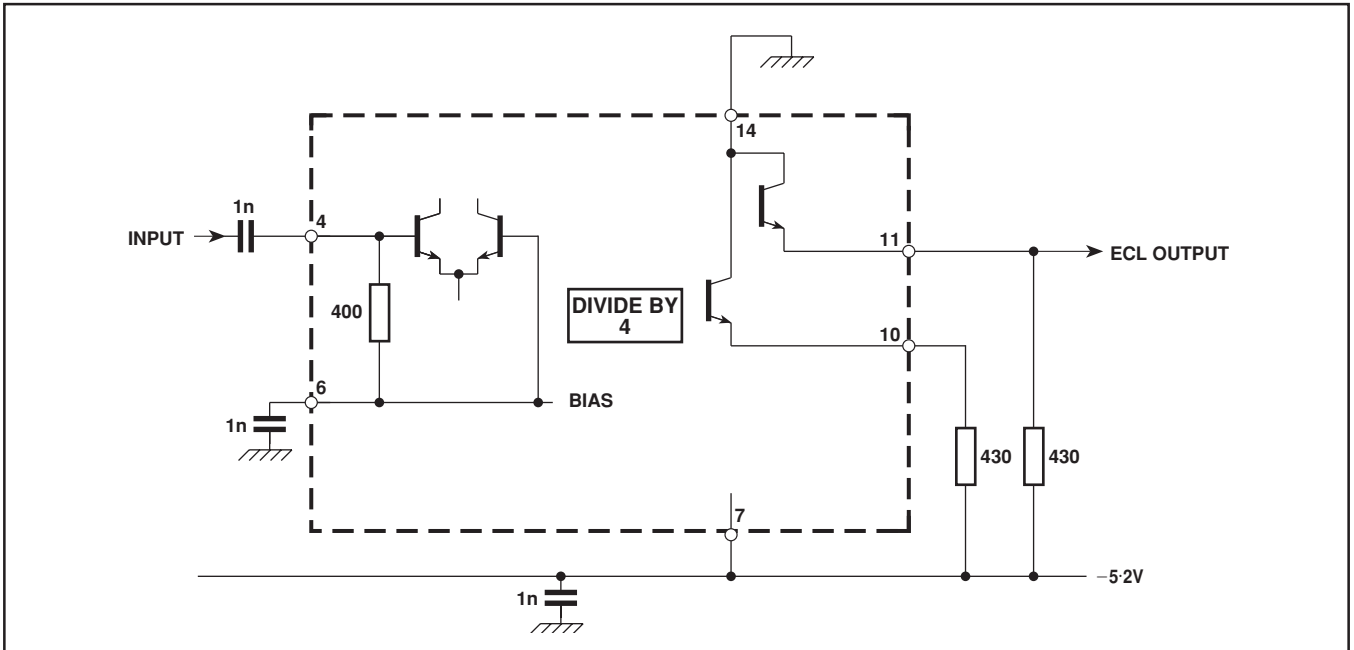
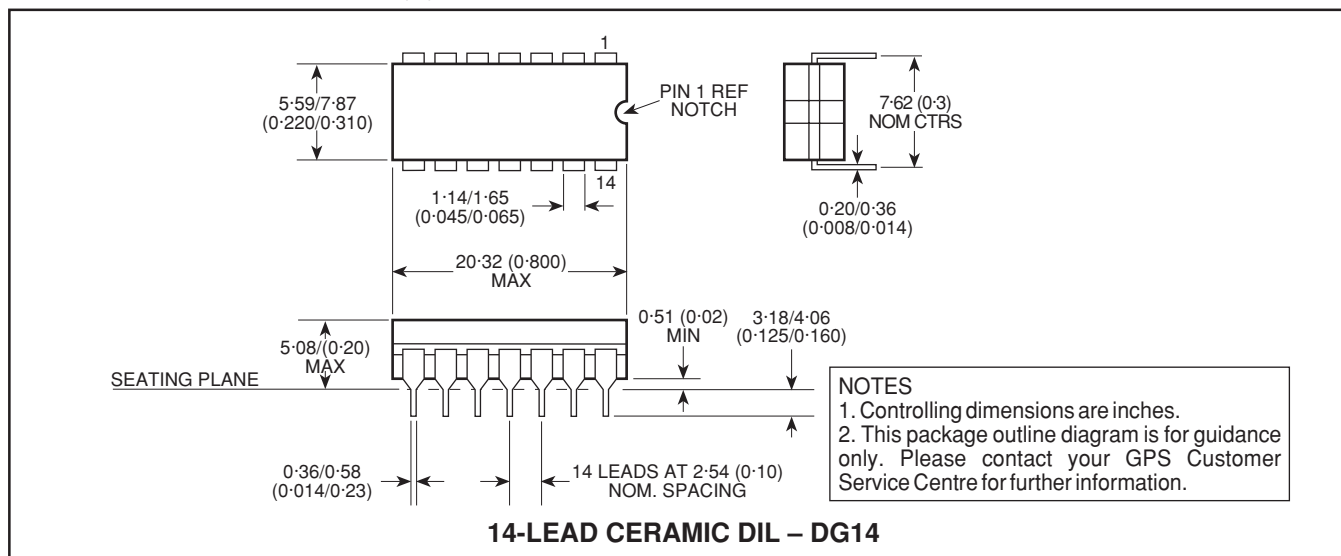


Fig. 8 Typical application showing interfacing

NOTES

PACKAGE DETAILS

Dimensions are shown thus: mm (in).



HEADQUARTERS OPERATIONS
GEC PLESSEY SEMICONDUCTORS
 Cheney Manor, Swindon,
 Wiltshire SN2 2QW, United Kingdom.
 Tel: (0793) 518000
 Fax: (0793) 518411

GEC PLESSEY SEMICONDUCTORS
 P.O. Box 660017
 1500 Green Hills Road,
 Scotts Valley, CA95067-0017
 United States of America.
 Tel (408) 438 2900
 Fax: (408) 438 5576

CUSTOMER SERVICE CENTRES

- **FRANCE & BENELUX** Les Ulis Cedex Tel: (1) 64 46 23 45 Fax : (1) 64 46 06 07
- **GERMANY** Munich Tel: (089) 3609 06-0 Fax : (089) 3609 06-55
- **ITALY** Milan Tel: (02) 66040867 Fax: (02) 66040993
- **JAPAN** Tokyo Tel: (3) 5276-5501 Fax: (3) 5276-5510
- **NORTH AMERICA** Scotts Valley, USA Tel: (408) 438 2900 Fax: (408) 438 7023.
- **SOUTH EAST ASIA** Singapore Tel: (65) 3827708 Fax: (65) 3828872
- **SWEDEN** Stockholm Tel: 46 8 702 97 70 Fax: 46 8 640 47 36
- **UK, EIRE, DENMARK, FINLAND & NORWAY**
 Swindon Tel: (0793) 518510 Fax : (0793) 518582

These are supported by Agents and Distributors in major countries world-wide.

© GEC Plessey Semiconductors 1994 Publication No. DS3661 Issue No. 1.2 March 1994

This publication is issued to provide information only which (unless agreed by the Company in writing) may not be used, applied or reproduced for any purpose nor form part of any order or contract nor to be regarded as a representation relating to the products or services concerned. No warranty or guarantee express or implied is made regarding the capability, performance or suitability of any product or service. The Company reserves the right to alter without prior knowledge the specification, design or price of any product or service. Information concerning possible methods of use is provided as a guide only and does not constitute any guarantee that such methods of use will be satisfactory in a specific piece of equipment. It is the user's responsibility to fully determine the performance and suitability of any equipment using such information and to ensure that any publication or data used is up to date and has not been superseded. These products are not suitable for use in any medical products whose failure to perform may result in significant injury or death to the user. All products and materials are sold and services provided subject to the Company's conditions of sale, which are available on request.



**For more information about all Zarlink products
visit our Web Site at
www.zarlink.com**

Information relating to products and services furnished herein by Zarlink Semiconductor Inc. or its subsidiaries (collectively "Zarlink") is believed to be reliable. However, Zarlink assumes no liability for errors that may appear in this publication, or for liability otherwise arising from the application or use of any such information, product or service or for any infringement of patents or other intellectual property rights owned by third parties which may result from such application or use. Neither the supply of such information or purchase of product or service conveys any license, either express or implied, under patents or other intellectual property rights owned by Zarlink or licensed from third parties by Zarlink, whatsoever. Purchasers of products are also hereby notified that the use of product in certain ways or in combination with Zarlink, or non-Zarlink furnished goods or services may infringe patents or other intellectual property rights owned by Zarlink.

This publication is issued to provide information only and (unless agreed by Zarlink in writing) may not be used, applied or reproduced for any purpose nor form part of any order or contract nor to be regarded as a representation relating to the products or services concerned. The products, their specifications, services and other information appearing in this publication are subject to change by Zarlink without notice. No warranty or guarantee express or implied is made regarding the capability, performance or suitability of any product or service. Information concerning possible methods of use is provided as a guide only and does not constitute any guarantee that such methods of use will be satisfactory in a specific piece of equipment. It is the user's responsibility to fully determine the performance and suitability of any equipment using such information and to ensure that any publication or data used is up to date and has not been superseded. Manufacturing does not necessarily include testing of all functions or parameters. These products are not suitable for use in any medical products whose failure to perform may result in significant injury or death to the user. All products and materials are sold and services provided subject to Zarlink's conditions of sale which are available on request.

Purchase of Zarlink's I²C components conveys a licence under the Philips I²C Patent rights to use these components in and I²C System, provided that the system conforms to the I²C Standard Specification as defined by Philips.

Zarlink, ZL and the Zarlink Semiconductor logo are trademarks of Zarlink Semiconductor Inc.

Copyright Zarlink Semiconductor Inc. All Rights Reserved.

TECHNICAL DOCUMENTATION - NOT FOR RESALE
