



Solid State Devices, Inc.

14701 Firestone Blvd * La Mirada, Ca 90638
 Phone: (562) 404-7855 * Fax: (562) 404-1773
 ssdi@ssdi-power.com * www.ssdi-power.com

SUM8.2F & FSMS

**0.5 AMP
 8200 VOLTS
 450 nsec
 HIGH VOLTAGE
 RECTIFIER**

Designer's Data Sheet

Part Number / Ordering Information ^{1/}

SUM 8.2 F — —

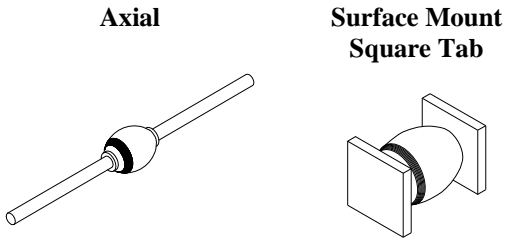
- L Screening^{2/} = None
 - TX = TX Level
 - TXV = TXV Level
 - S = S Level
- L Package
 - = Axial
 - SMS = Surface Mount Square Tab
- L Recovery Time
 - F = Fast Recovery
- L Voltage
 - 8.2 = 8200 V

- FEATURES:**
- Fast Recovery: 450 nsec Maximum
 - PIV 8200 Volts
 - Hermetically Sealed Axial and Surface Mount Package
 - Void-Free Construction
 - Metallurgically Bonded
 - 175°C Maximum Operating Temperature
 - TX, TXV, and Space Level Screening Available^{2/}

ELECTRICAL CHARACTERISTICS

Part Number	Peak Inverse Voltage	Average Rectifier Current		Maximum Reverse Current		Maximum Forward Voltage	Maximum Surge Current (1 Cycle)	Maximum Reverse Recovery Time	Maximum Junction Capacitance	Typical Thermal Impedance
Symbol	PIV	I ₀		IR		V _F	I _{FSM}	t _{RR}	C _J	θ _{JL} /θ _{JE}
Units	Volts	mA		μA		Volts	Amps	nsec	pF	°C/W
Conditions		25°C	100°C	25°C	100°C	25°C	25°C	25°C	VR = 100V f _T = 1MHZ	L = 3/8"
SUM8.2F	8200	500	300	1.0	15	13	25	450	8	18

1/ For Ordering Information, Price, and Availability – Contact Factory.
 2/ Screening based on MIL-PRF-19500. Screening flows available on request.
 3/ Operating and testing over 10,000 V/inch may require encapsulation or immersion in a suitable dielectric material.
 4/ I_F = I_O; Max. forward voltage measured with instantaneous forward pulse of 300μsec minimum.
 5/ Max. Lead/End Tab temp. for soldering is 250°C, 3/8" from case for 5 sec maximum.
 6/ Operating and storage temperature: -65°C to +175°C.
 7/ Reverse Recovery Test Conditions: IF=0.5A, IR=1.0A, IRR=.25A, TA=25°C.



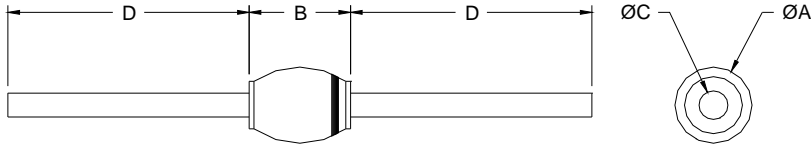


Solid State Devices, Inc.

14701 Firestone Blvd * La Mirada, Ca 90638
 Phone: (562) 404-7855 * Fax: (562) 404-1773
 ssdi@ssdi-power.com * www.ssdi-power.com

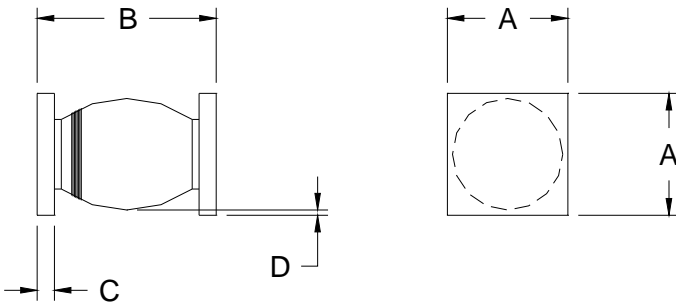
SUM8.2F & FSMS

PACKAGE OUTLINE: Axial



DIMENSIONS		
DIM	MIN	MAX
A	.065"	0.165"
B	---	.350"
C	0.047"	0.053"
D	1.00"	—

PACKAGE OUTLINE: Surface Mount Square Tab



DIMENSIONS		
DIM	MIN	MAX
A	0.170"	0.180"
B	0.330"	0.380"
C	0.020"	0.030"
D	0.002"	—

Notes:
 Consult manufacturing for operating curves.