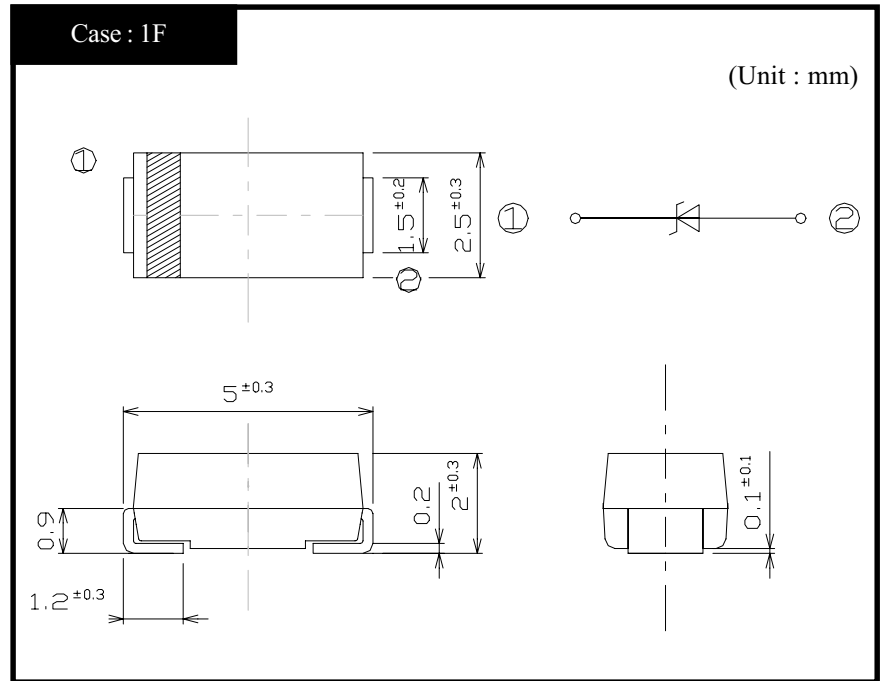


# ST03-58F1

## OUTLINE DIMENSIONS



## RATINGS

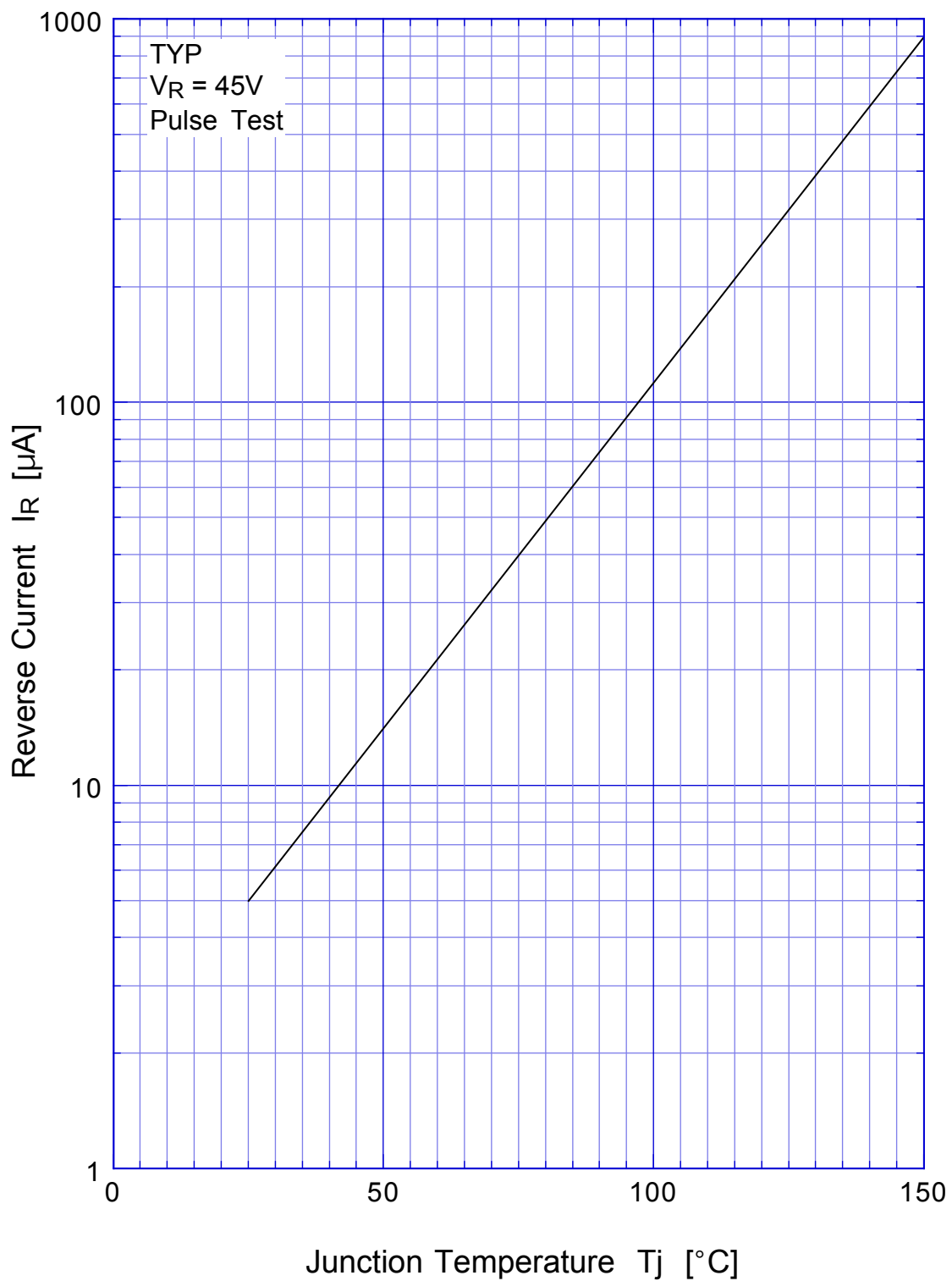
### ● Absolute Maximum Ratings (Tl=25°C)

Item	Symbol	Conditions	Ratings	Unit
Storage Temperature	T <sub>stg</sub>		-55~150	°C
Operating Junction Temperature	T <sub>j</sub>		150	°C
Maximum Surge Reverse Power	P <sub>RSM</sub>	10 × 1000 μ s, Non-repetitive	300	W
Maximum Surge Reverse Current	I <sub>RSM</sub>	10 × 1000 μ s, Non-repetitive	4	A
Maximum Reverse Voltage	V <sub>RM</sub>		45	V

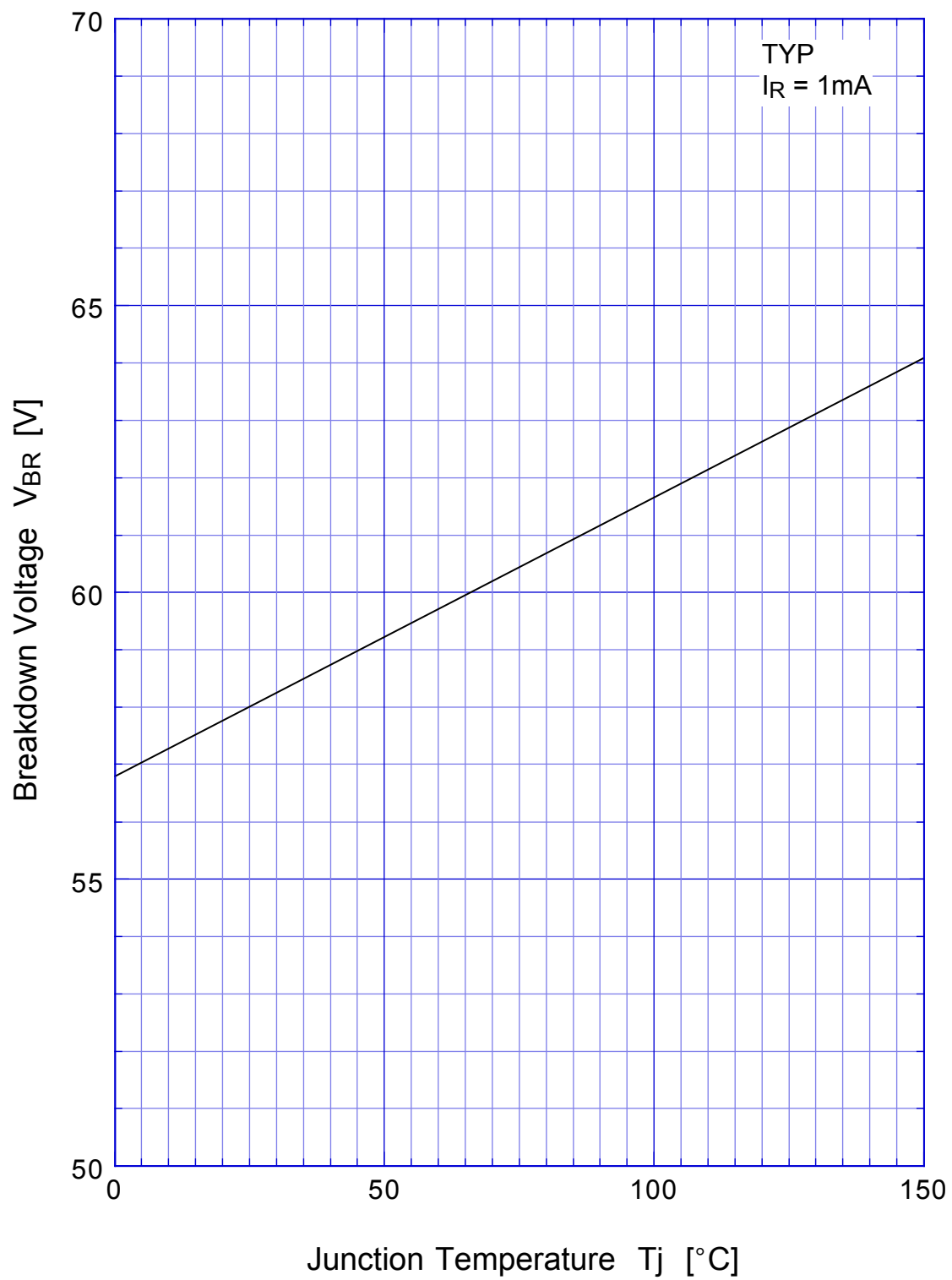
### ● Electrical Characteristics (Tl=25°C)

Item	Symbol	Conditions	Ratings	Unit
Movement Start Voltage	V <sub>BR</sub>	I <sub>R</sub> = 1mA	52~64	V
Restriction Voltage	V <sub>CL</sub>	I <sub>pp</sub> = 4A, I <sub>pp</sub> Def	MAX 80	V
Leakage Current	I <sub>R</sub>	V <sub>R</sub> = 45V	MAX 5	μ A

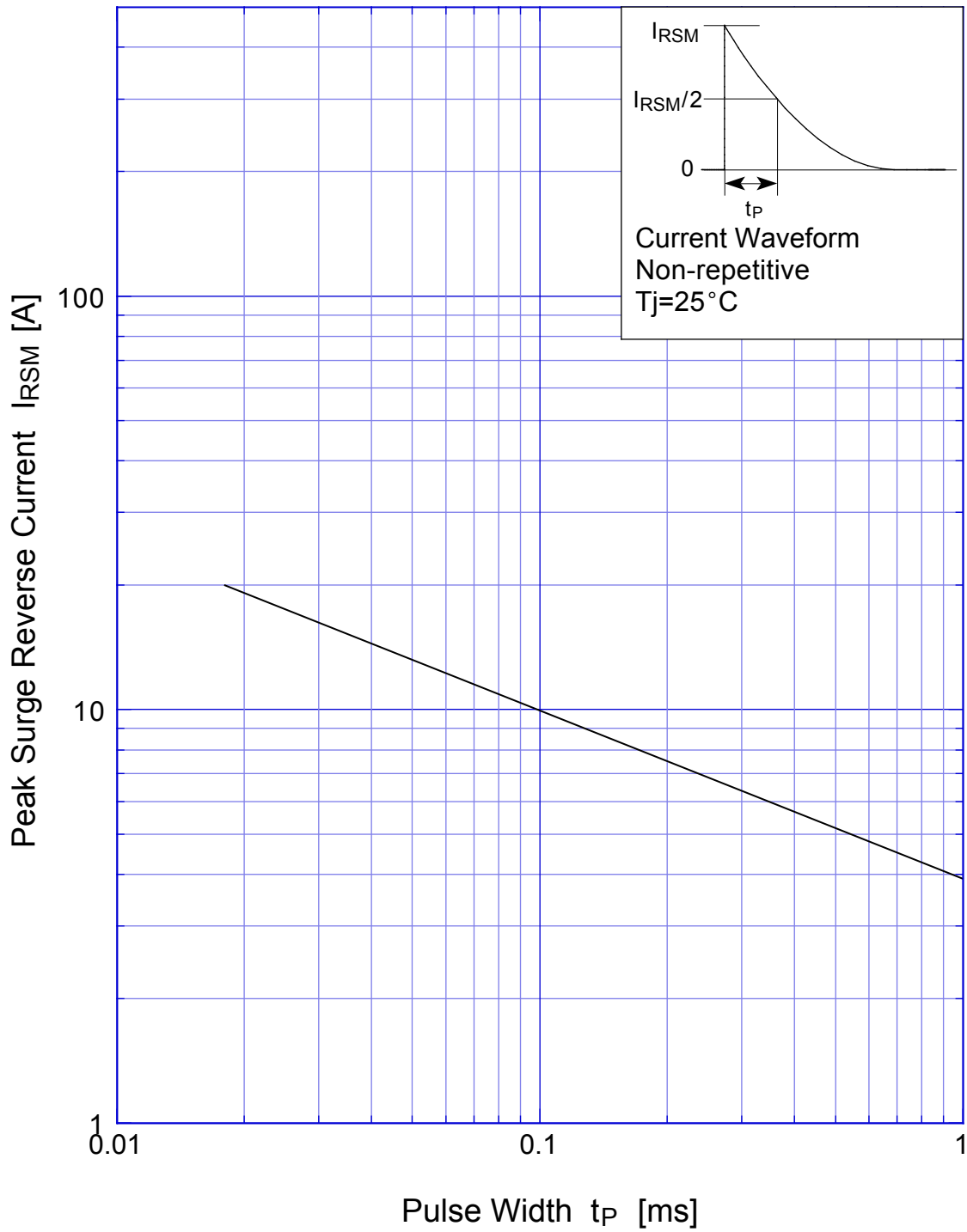
# ST03-58F1 Reverse Current



# ST03-58F1 Breakdown Voltage



# ST03-58F1 Peak Surge Reverse Current



ST03-58F1

Clamping Voltage

