

**Silicon PNP Power Transistors**

**NS50P**

**DESCRIPTION**

www.datasheet4u.com

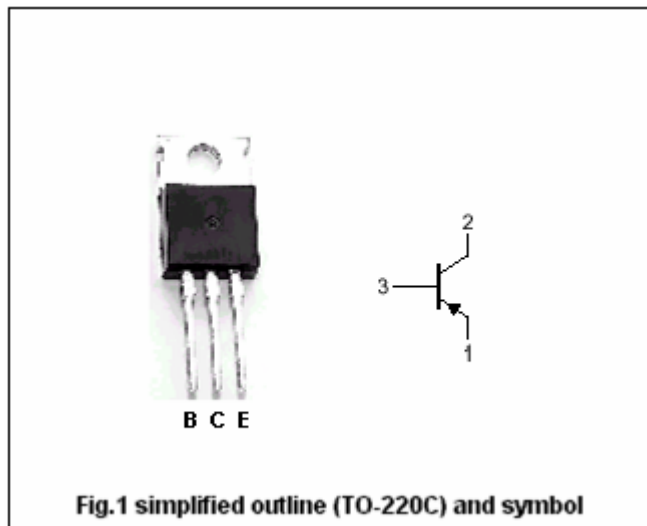
- With TO-220C package
- Complement to type NS50N

**APPLICATIONS**

- For medium power linear amplifier applications

**PINNING**

PIN	DESCRIPTION
1	Emitter
2	Collector;connected to mounting base
3	Base



**ABSOLUTE MAXIMUM RATINGS(T<sub>c</sub>=25 °C)**

SYMBOL	PARAMETER	CONDITIONS	VALUE	UNIT
V <sub>CBO</sub>	Collector-base voltage	Open emitter	-60	V
V <sub>CEO</sub>	Collector-emitter voltage	Open base	-60	V
V <sub>EBO</sub>	Emitter-base voltage	Open collector	-5	V
I <sub>C</sub>	Collector current (DC)		-6	A
I <sub>CM</sub>	Collector current-Pulse		-10	A
I <sub>B</sub>	Base current		-2	A
P <sub>C</sub>	Collector power dissipation	T <sub>c</sub> =25 °C	65	W
		T <sub>a</sub> =25 °C	2	
T <sub>j</sub>	Junction temperature		150	°C
T <sub>stg</sub>	Storage temperature		-65~150	°C

## Silicon PNP Power Transistors

## NS50P

## CHARACTERISTICS

T<sub>j</sub>=25°C unless otherwise specified

www.datasheet4u.com

SYMBOL	PARAMETER	CONDITIONS	MIN	TYP.	MAX	UNIT
V <sub>CEO(SUS)</sub>	Collector-emitter sustaining voltage	I <sub>C</sub> =-30mA; I <sub>B</sub> =0	-60			V
V <sub>CE(sat)</sub>	Collector-emitter saturation voltage	I <sub>C</sub> =-6A ; I <sub>B</sub> =-0.6A			-1.5	V
V <sub>BE</sub>	Base-emitter on voltage	I <sub>C</sub> =-6A ; V <sub>CE</sub> =-4V			-2.0	V
I <sub>CES</sub>	Collector cut-off current	V <sub>CE</sub> =-60V; V <sub>EB</sub> =0			-0.4	mA
I <sub>CEO</sub>	Collector cut-off current	V <sub>CE</sub> =-30V; I <sub>B</sub> =0			-0.7	mA
I <sub>EBO</sub>	Emitter cut-off current	V <sub>EB</sub> =-5V; I <sub>C</sub> =0			-1.0	mA
h <sub>FE-1</sub>	DC current gain	I <sub>C</sub> =-0.3A ; V <sub>CE</sub> =-4V	50		160	
h <sub>FE-2</sub>	DC current gain	I <sub>C</sub> =-3A ; V <sub>CE</sub> =-4V	15			
f <sub>T</sub>	Transition frequency	I <sub>C</sub> =-0.5A ; V <sub>CE</sub> =-10V	3			MHz

◆ h<sub>FE-1</sub> Classifications

A	B
50-100	80-160

PACKAGE OUTLINE

www.datasheet4u.com

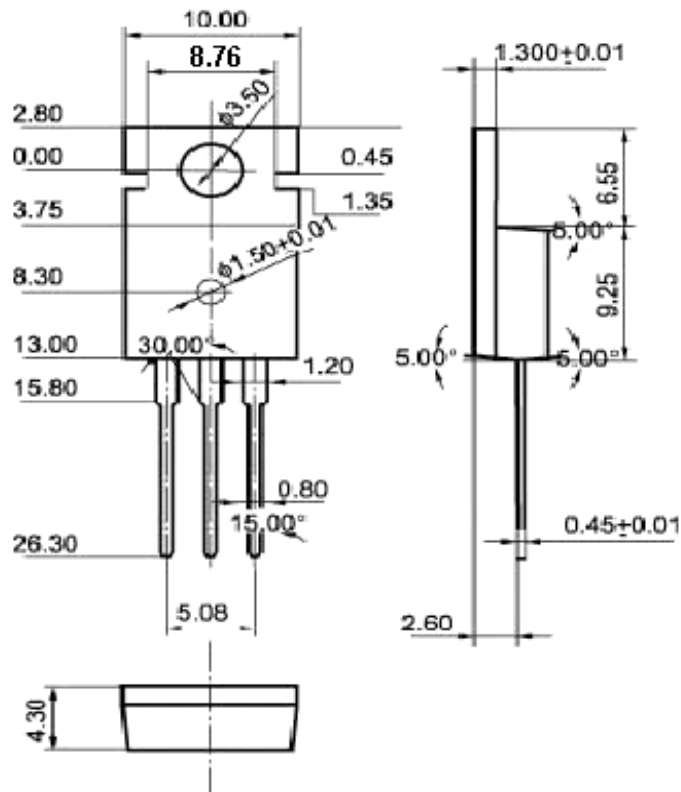


Fig.2 Outline dimensions