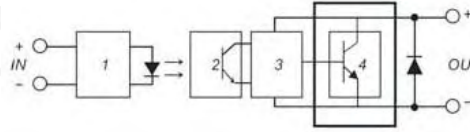
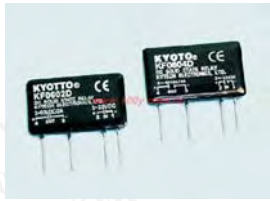




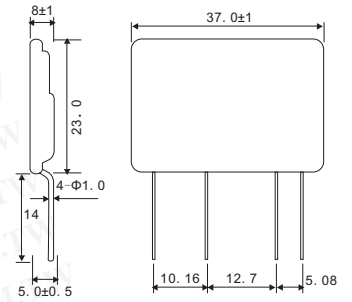
# Relays & Solenoids

## Plug-In Interface DC To DC Solid State Relays

Detailed product specifications are available on: [us.100y.com.tw](http://us.100y.com.tw)



1. INPUT CIRCUIT
2. PHOTO DETECTOR
3. AMPLIFIER
4. PROTECTED CIRCUIT

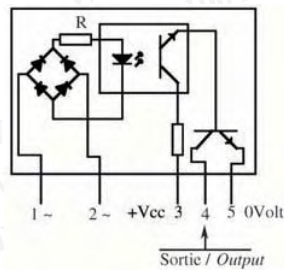
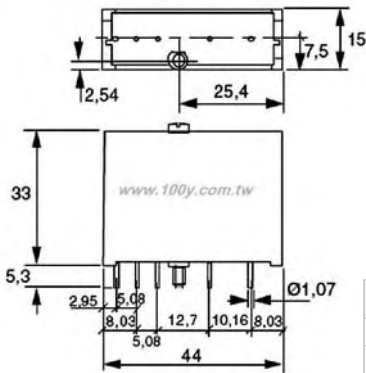


### SPECIFICATIONS

Model No.	Control voltage range	Must turn off voltage	Input Impedance	Max load current	Load voltage range	Min blocking voltage	Max off-state leakage	Frequency range	MAX 1-CYCLE PEAK SURGE
KF0602D	3 TO 32 VDC	MAX1.0VDC	1.5Kohm	2A	3-60 VDC	80VDC	LESS 1 mA	47~70HZ	3A
KF0604D	3 TO 32 VDC	MAX1.0VDC	1.5Kohm	4A	3-60 VDC	80VDC	LESS 1 mA	47~70HZ	8.5A

Model NO.	Isolation Impedence	Medium voltage resistance input-output	Action time	Release time	Capacitance in-out	Weight (g)
KF0602D	10 <sup>9</sup> ohm	2500 VACrm	LESS 2 mSec	LESS 1/2 cycle	LESS 15 PF	10g
KF0604D	10 <sup>9</sup> ohm	2500 VACrm	LESS 2 mSec	LESS 1/2 cycle	LESS 15 PF	12g

Part No.	Product No.	Manufacturer	Description	Vin	Irms	Vrms	Switching Type
6340	KF0602D	KYOTTO	DC-DC SSR	3-32Vdc	2A	3-60Vdc	No Built-in Zero Cross
7756	KF0604D	KYOTTO	DC-DC SSR	3-32Vdc	4A	3-60Vdc	No Built-in Zero Cross



- HOMOLOGUE UL
- CARTES SUPPORTS disponibles (EBS)
- UL APPROVED
- SOCKETS available ( EBS)

Part No.	Product No.	Manufacturer	Description	Vin	Irms	Vrms
17720	SEC05003	Celduc	DC / time delay input SSR	10-32Vdc	NPN 25mA	5V
17719	SEC05101	Celduc	DC quick input SSR	3-10Vdc	NPN 25mA	5V

Dimension in mm: 45x58.5x30



Part No.	Product No.	Manufacturer	Description	Vin	Irms	Vrms
41020	SO963460	Celduc	DC quick input SSR	3-32	13mA	3V

### DC-DC SSR



Part No.	Product No.	Description	Vin	Irms	Vrms	Switching Type
11898	SSR-PCB-DDC-2A	DC-DC SSR	3-24Vdc	2A	3-60Vdc	No ZERO-CROSS

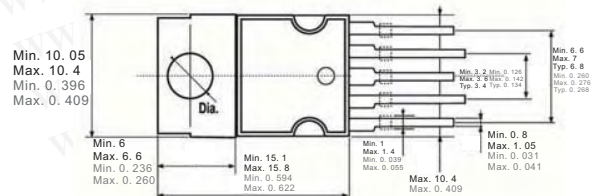
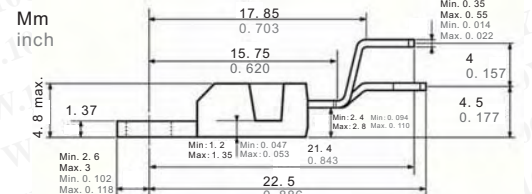


- OUTPUT CURRENT (CONTINUOUS): 6A @ Tc=25°C
- 5V LOGIC LEVEL COMPATIBLE INPUT
- THERMAL SHUT-DOWN
- UNDER VOLTAGE SHUT-DOWN
- OPEN DRAIN DIAGNOSTIC OUTPUT
- VERY LOW STAND-BY POWER DISSIPATION

### DESCRIPTION

The VN02H is a monolithic devices made using STMicroelectronics VIPower Technology, intended for driving resistive or inductive loads with one side grounded. Built-in thermal shut-down protects the chip from over temperature and short circuit. The input control is 5V logic level compatible. The open drain diagnostic output indicates open circuit (no load) and over temperature status.

Part No.	Product No.	Manufacturer	Description
38140	VN02H	ST(SGS)	HIGH SIDE SMART POWER SOLID STATE RELAY



T E L : Taiwan : 886-3-5753170  
 F A X : Taiwan : 886-3-5753172  
 E-mail : Taiwan : [us\\_sale@100y.com.tw](mailto:us_sale@100y.com.tw)

Shenzhen : 86-755-83298787  
 Shenzhen : 86-755-83640655  
 Shenzhen : 100y@163.com

Shanghai : 86-21-54151736  
 Shanghai : [www.DataSheet4U.com](http://www.DataSheet4U.com)  
 Shanghai : 100y-1@163.com