

## FEATURES

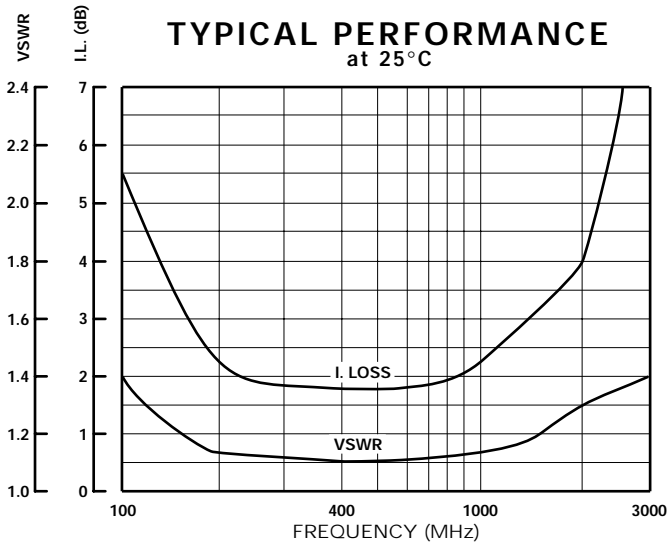
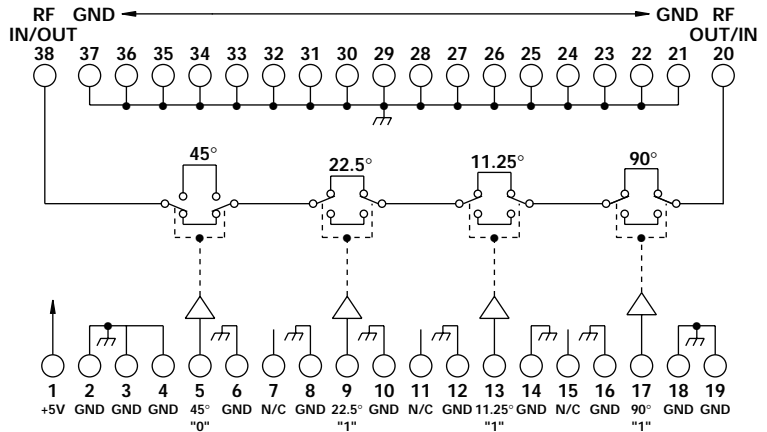
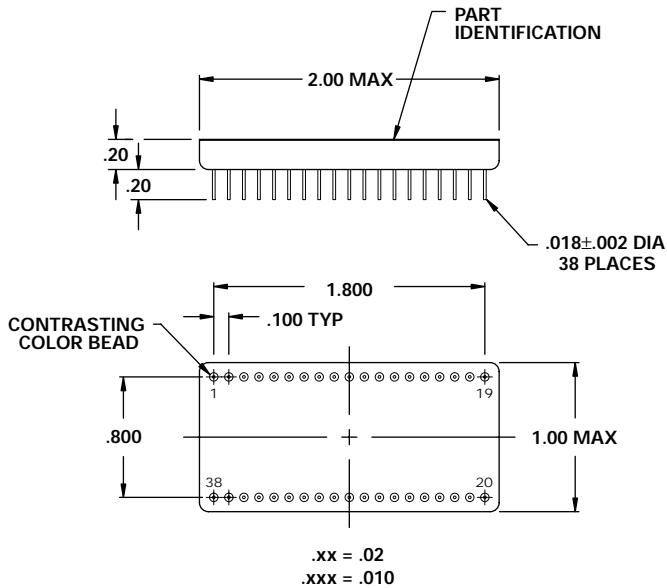
- 500 - 1000 MHz
- Multiple Bit Phase Shifter in Small Package
- 38 Pin DIP



MODEL NO.  
DPS42028

Phase Shifter 4 Section

4 BIT



## GUARANTEED PERFORMANCE

Parameter	Min	Typ	Max	Units	Conditions
Operating Frequency	500	700	1000	MHz	
DC Current		47	100	mA	At +5 VDC Supply
Control Type		TTL			4 Line Logic "0" = Thru Logic "1" = Phase
Control Current	High Low	±10 ±10		µA µA	V <sub>IH</sub> = +2.7 V V <sub>IL</sub> = +0.5 V
Insertion Loss		2.1	3.0	dB	
Phase	LSB Range Accuracy	0	11.25 168.75 ±5 ±10	DEG DEG DEG DEG	11.25, 22.5, 45, 90 DEG At 700 MHz Any One Bit Any Combination
VSWR		1.10/1	1.35/1		
Impedance		50		OHMS	
Switching Speed		140	500	nSec	50% TTL to 90% / 10% RF
Transition (Rise/Fall) Time		70		nSec	90% / 10% or 10% / 90% RF
Switching (Video) Transients		300		mV	Peak Value
Intercept Points	2nd 3rd	+71 +32		dBm dBm	300 MHz / 200 MHz 350 MHz / 200 MHz
RF Power	Operate No Damage	+13 +23	+10 +23	dBm dBm	0.1 dB Compression
Operating Temperature	-55	+25	+85	°C	TA