

PLEASE CHECK WWW.MOLEX.COM FOR LATEST PART INFORMATION

Part Number: [0588660002](#)
Status: **Active**
Description: HMC™ Rectangular Industrial End Bell Cap Assembly, PG36, 14.00 to 18.00mm (.551 to .709") dia. Wire Size, Blue Bush, for External Threaded Hoods

Documents:

3D Model	Product Specification PS-58719-006 (PDF)
Drawing (PDF)	RoHS Certificate of Compliance (PDF)
Product Specification PS-58719-005 (PDF)	

Agency Certification

TUV R72081037

General

Product Family	I/O Connectors
Series	58866
Application	Panel-Mount
Component Type	Bell Cap Assembly
Product Name	HMC™
Type	N/A

Physical

Circuits (Loaded)	48, 72
Color - Resin	Blue
Lock to Mating Part	Yes
Material - Metal	Brass
Material - Plating Mating	n/a
Material - Resin	PVC
Orientation	Vertical
Packaging Type	Bag
Panel Mount	N/A
Pitch - Mating Interface (in)	0.000 In
Pitch - Mating Interface (mm)	0.00 mm
Polarized to Mating Part	Yes
Termination Interface: Style	N/A
Waterproof / Dustproof	Yes
Waterproof / Dustproof Type	IP65

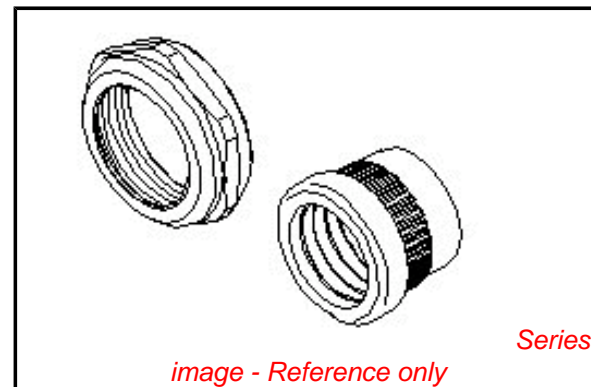
Electrical

Current - Maximum per Contact N/A

Material Info

Reference - Drawing Numbers

Product Specification	PS-58719-005, PS-58719-006, RPS-58719-003, RPS-58719-004, RPS-58719-006, RPS-58719-007, RPS-58719-008
Sales Drawing	SD-58866-002



EU RoHS

RoHS Compliant by Exemption
REACH SVHC Not Reviewed
Halogen-Free Status Not Reviewed

China RoHS



Need more information on product environmental compliance?

Email productcompliance@molex.com
 For a multiple part number RoHS Certificate of Compliance, [click here](#)

Please visit the [Contact Us](#) section for any non-product compliance questions.

Search Parts in this Series

58866Series

Use With

58723-0010 hood

DWG. NO. SD-58866-002

F

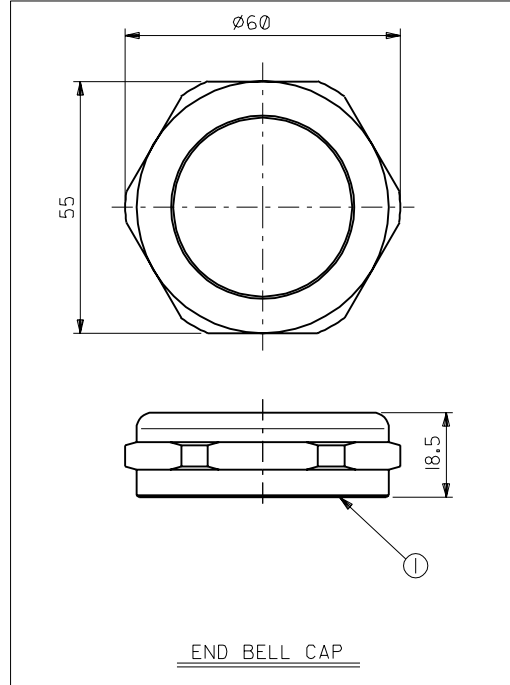
D

V

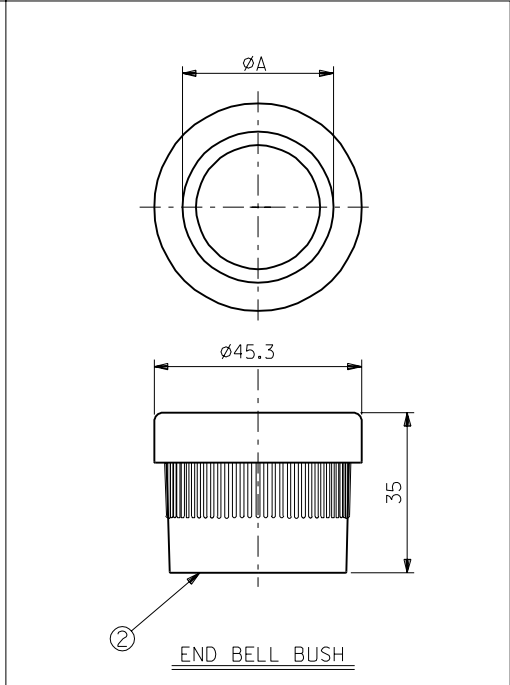
C

B

DO NOT SCALE DRAWING



END BELL CAP



END BELL BUSH

部番 NO.	部品名 PARTS NAME	個数 QUAN.	材質 MATERIAL
①	ケーブル キャップ CABLE CAP	1	黄銅、ニッケルメッキ BRASS, NI PLATING
②	ブッシュ BUSH	1	ポリ塩化ビニル PVC

橙 ORANGE	φ20~φ25	25	58866-0003	58866-****
青 BLUE	φ14~φ18	18	58866-0002	
黄 YELLOW	φ24~φ28	28	58866-0001	
黒 BLACK	φ29~φ33	33	58866-0000	
ブッシュ色 BUSH COLOR	適用電線径 WIRE SIZE	A	MATERIAL NO.	MODEL NO.
製品番号				

EC NO.	DRWN:	CHK:	APPR:
REVISED '01/05/14	EC No. JD2001-1521	DRWN: S.AKIYAMA	CHK: J.MIYAZAWA
APPR: H.IKESUGI	REVISED '01/01/22	EC No. JD2001-0972	DRWN: S.AKIYAMA
	APPR: H.IKESUGI	CHK: J.MIYAZAWA	APPR: H.IKESUGI
REVISED '99/10/06	EC No. JD2000-0333	DRWN: S.AKIYAMA	CHK: J.MIYAZAWA
	APPR: H.IKESUGI	APPR: H.IKESUGI	
RELEASED	EC No. JD90700'98/11/0	DRWN: Y.TETSUKA	CHK: S.AKIYAMA/YO.ITO
	APPR: H.IKESUGI	APPR: H.IKESUGI	
REV	DESCRIPTION	MATERIAL 材料	FINISH 仕上付
0	SEE CHART		#
INS. RANGE 被覆外径	WIRE RANGE 適用電線径	GENERAL TOLERANCES: (UNLESS SPECIFIED) 一般公差	ANGLE 角度
#	#	10 UNDER 未満 ±0.2	3°
		10 OVER 以上 30 UNDER 未満 ±0.25	
		30 OVER 以上 ±0.3	

SCALE 1-1	DESIGN UNITS <input checked="" type="checkbox"/> mm <input type="checkbox"/> INCH	DIMENSIONS: <input type="checkbox"/> mm <input type="checkbox"/> INCH <input checked="" type="checkbox"/> mm ONLY	SHT REV
		THIRD ANGLE PROJECTION	REVISE ON CAD ONLY
DRAWN BY & DATE Y.TETSUKA '98/11/10		TITLE: POWER CONN. END BELL CAP SET (PG36)	
CHECKED BY & DATE S. Akiyama/Y.Ito '98/11/12		APPROVED BY & DATE H. Ikessugi '98/11/12	
CAD FILE NAME 58866002.S01		MATERIAL NO. SEE CHART	
		DRAWING NO. SD-58866-002	
		SHEET NO. 1 OF 1	

THIS DRAWING CONTAINS INFORMATION THAT IS PROPRIETARY TO MOLEX INCORPORATED AND SHOULD NOT BE USED WITHOUT WRITTEN PERMISSION.				SIZE B
--	--	--	--	--------

A 58866002.S01