

PLEASE CHECK WWW.MOLEX.COM FOR LATEST PART INFORMATION

Part Number: [0588660001](#)
Status: **Active**
Description: HMC™ Rectangular Industrial End Bell Cap Assembly, PG36, 24.00 to 28.00mm (.945 to 1.102") dia. Wire Size, Yellow Bush, for External Threaded Hoods

Documents:

[3D Model](#)
[Drawing \(PDF\)](#)
[Product Specification PS-58719-005 \(PDF\)](#)
[Product Specification PS-58719-006 \(PDF\)](#)
[RoHS Certificate of Compliance \(PDF\)](#)

Agency Certification

TUV R72081037

General

Product Family I/O Connectors
 Series 58866
 Application Panel-Mount
 Component Type Bell Cap Assembly
 Product Name HMC™
 Type N/A

Physical

Circuits (Loaded) 48, 72
 Lock to Mating Part Yes
 Material - Plating Mating n/a
 Orientation Vertical
 Packaging Type Bag
 Panel Mount N/A
 Pitch - Mating Interface (in) 0.000 In
 Pitch - Mating Interface (mm) 0.00 mm
 Polarized to Mating Part Yes
 Termination Interface: Style N/A
 Waterproof / Dustproof Yes
 Waterproof / Dustproof Type IP65

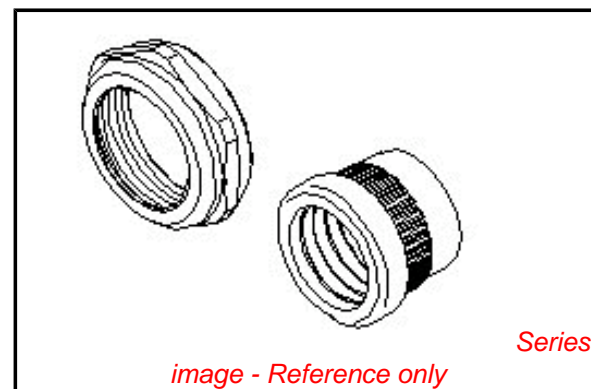
Electrical

Current - Maximum per Contact N/A

Material Info

Reference - Drawing Numbers

Product Specification PS-58719-005, PS-58719-006, RPS-58719-003, RPS-58719-004, RPS-58719-006, RPS-58719-007, RPS-58719-008
 Sales Drawing SD-58866-002



EU RoHS

RoHS Compliant by Exemption
REACH SVHC Not Reviewed
Halogen-Free Status Not Reviewed

China RoHS



Need more information on product environmental compliance?

Email productcompliance@molex.com
 For a multiple part number RoHS Certificate of Compliance, [click here](#)

Please visit the [Contact Us](#) section for any non-product compliance questions.

Search Parts in this Series

58866Series

Use With

58723-0010 hood

DWG. NO. SD-58866-002

F

D

V

C

B

DO NOT SCALE DRAWING

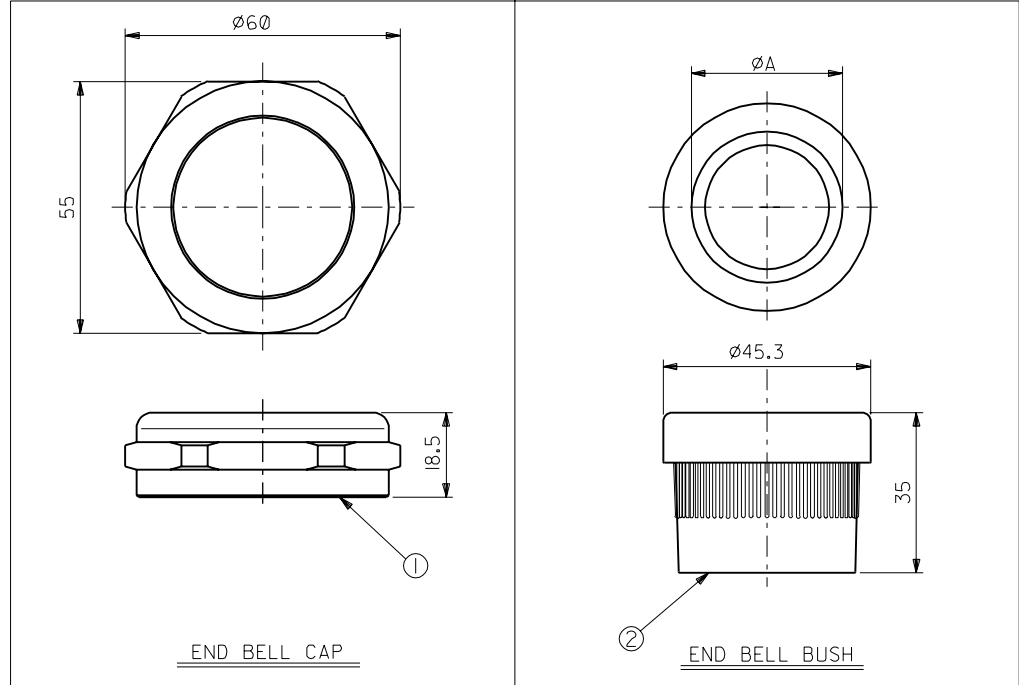
EC NO. DRWN: CHK: APPR:	REVISED '01/05/14 EC No. JD2001-1521 DRWN: S.AKIYAMA CHK: J.MIYAZAWA APPR: H.IKESUGI	REVISED '01/01/22 EC No. JD2001-0972 DRWN: S.AKIYAMA CHK: J.MIYAZAWA APPR: H.IKESUGI	REVISED '99/10/06 EC No. JD2000-0333 DRWN: S.AKIYAMA CHK: J.MIYAZAWA APPR: H.IKESUGI	RELEASED EC No. JD90700'98/11/0 DRWN: Y.TETSUKA CHK: S.AKIYAMA/YO.ITO APPR: H.IKESUGI
REV	DESCRIPTION			
INS. RANGE 被覆外径	MATERIAL 材料			
	FINISH 仕上付			
	WIRE RANGE 適用電線径			

REV	DESCRIPTION	MATERIAL 材料
	SEE CHART	
	FINISH 仕上付	
	WIRE RANGE 適用電線径	
	INS. RANGE 被覆外径	

GENERAL TOLERANCES: (UNLESS SPECIFIED) 一般公差		SCALE 1-1	DESIGN UNITS <input checked="" type="checkbox"/> mm <input type="checkbox"/> INCH	DIMENSIONS: THIRD ANGLE PROJECTION	SHT REV
10 UNDER 未満	±0.2			<input type="checkbox"/> mm <input type="checkbox"/> INCH <input type="checkbox"/> mm <input checked="" type="checkbox"/> mm ONLY	REVISE ON CAD ONLY
10 OVER 以上	±0.25				
30 OVER 以上	±0.3				
ANGLE 角度	±3°				

DRAWN BY & DATE Y.TETSUKA '98/11/10		CHECKED BY & DATE <i>S. Akiyama</i> '98/11/12		APPROVED BY & DATE <i>H. Ikessugi</i> '98/11/12	
CAD FILE NAME 58866002.S01		MATERIAL NO. SEE CHART		DRAWING NO. SD-58866-002	
SHEET NO. 1 OF 1		SIZE B		THIS DRAWING CONTAINS INFORMATION THAT IS PROPRIETARY TO MOLEX INCORPORATED AND SHOULD NOT BE USED WITHOUT WRITTEN PERMISSION.	

橙 ORANGE	φ20~φ25	25	58866-0003	58866-****
青 BLUE	φ14~φ18	18	58866-0002	
黄 YELLOW	φ24~φ28	28	58866-0001	
黒 BLACK	φ29~φ33	33	58866-0000	
ブッシュ色 BUSH COLOR	適用電線径 WIRE SIZE	A	MATERIAL NO.	MODEL NO.
製品番号				



部番 NO.	部品名 PARTS NAME	個数 QUAN.	材質 MATERIAL
①	ケーブル キャップ CABLE CAP	1	黄銅、ニッケルメッキ BRASS, NI PLATING
②	ブッシュ BUSH	1	ポリ塩化ビニル PVC