

PLEASE CHECK WWW.MOLEX.COM FOR LATEST PART INFORMATION

Part Number: [0875378812](#)

Status: **Active**

Description: 1.27mm (.050") Pitch EBBI™ 50D Receptacle, Through Hole, Right Angle, Blind Mate, with Beveled Metal Pin and Plastic Peg, 0.76µm (30µ") Gold (Au) Selective Plating, 68 Circuits, 2.00mm (.079") PC Tail Length, Low Profile, Leadfree

Documents:

[3D Model](#)

[Drawing \(PDF\)](#)

[RoHS Certificate of Compliance \(PDF\)](#)

General

Product Family	PCB Receptacles
Series	87537
Application	Board-to-Board
Comments	No Lubricant at the Contact Z-Height: 2.54mm (.100)
Product Name	EBBI™

Physical

Circuits (Loaded)	68
Color - Resin	Black
Durability (mating cycles max)	2,000
Glow-Wire Compliant	No
Guide to Mating Part	Yes
Lock to Mating Part	None
Material - Metal	Phosphor Bronze
Material - Plating Mating	Gold
Material - Plating Termination	Tin
Material - Resin	High Temperature Thermoplastic
Number of Rows	2
Orientation	Right Angle
PC Tail Length (in)	0.079 In
PC Tail Length (mm)	2.00 mm
PCB Locator	Yes
PCB Retention	Yes
PCB Thickness Recommended (in)	0.062 In
PCB Thickness Recommended (mm)	1.60 mm
Packaging Type	Tray
Pitch - Mating Interface (in)	0.050 In
Pitch - Mating Interface (mm)	1.27 mm
Plating min: Mating (µin)	30.4
Plating min: Mating (µm)	0.76
Plating min: Termination (µin)	101.6
Plating min: Termination (µm)	2.54
Polarized to Mating Part	Yes
Polarized to PCB	Yes
Surface Mount Compatible (SMC)	Yes
Temperature Range - Operating	-40°C to +105°C
Termination Interface: Style	Through Hole

Electrical

Current - Maximum per Contact	1A
Voltage - Maximum	30V

Solder Process Data

Duration at Max. Process Temperature (seconds)	5
--	---

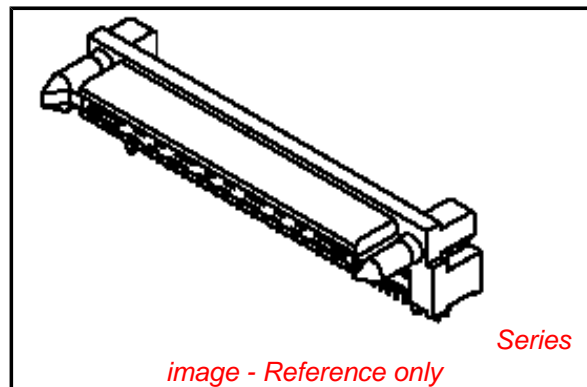


image - Reference only

EU RoHS

ELV and RoHS Compliant

REACH SVHC

Contains SVHC: No

Halogen-Free

Status

Not Reviewed

China RoHS



Need more information on product environmental compliance?

Email productcompliance@molex.com
For a multiple part number RoHS Certificate of Compliance, [click here](#)

Please visit the [Contact Us](#) section for any non-product compliance questions.

Search Parts in this Series

[87537Series](#)

Mates With

[71661 EBBI™ Right Angle Blind Mate Plug](#),
[EBBI™ Vertical Blind Mate Plug](#)

Lead-free Process Capability	SMC & Wave Capable (TH only)
Max. Cycles at Max. Process Temperature	1
Process Temperature max. C	265

Material Info

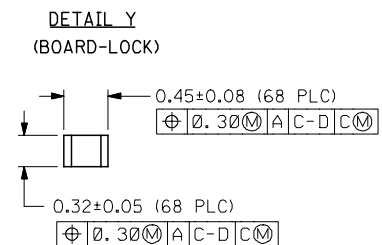
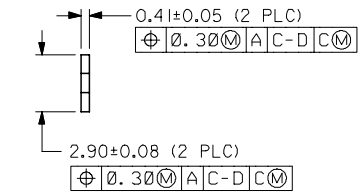
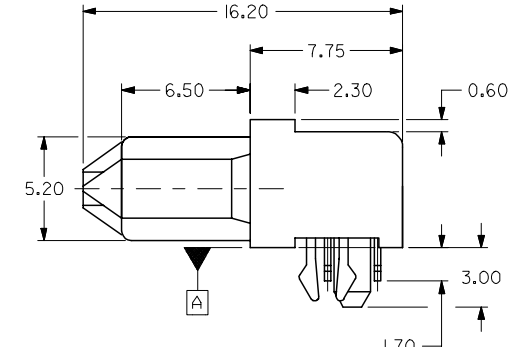
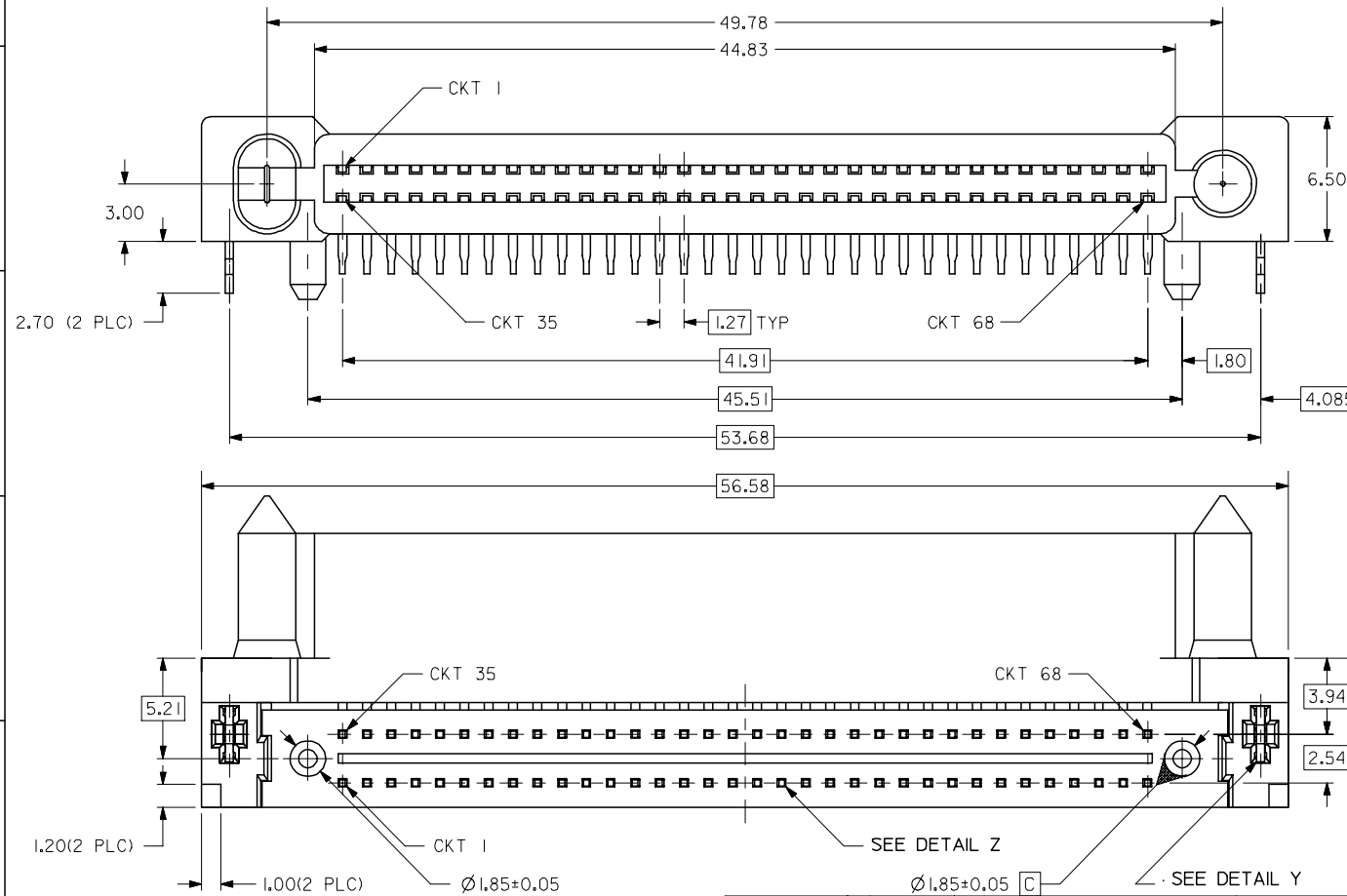
Reference - Drawing Numbers

Sales Drawing	SD-87537-6812
---------------	---------------

This document was generated on 03/18/2010

PLEASE CHECK WWW.MOLEX.COM FOR LATEST PART INFORMATION

PART STATUS	PART NO. (PACKED IN CARTON)	CKT SIZE	CONTACTS LUBRICATION	WITH KAPTON TAPE
TOOLED	87537-8813	68	NIL	NO
TOOLED	87537-8819	68	YES	NO
TOOLED	87537-8822	68	YES	YES



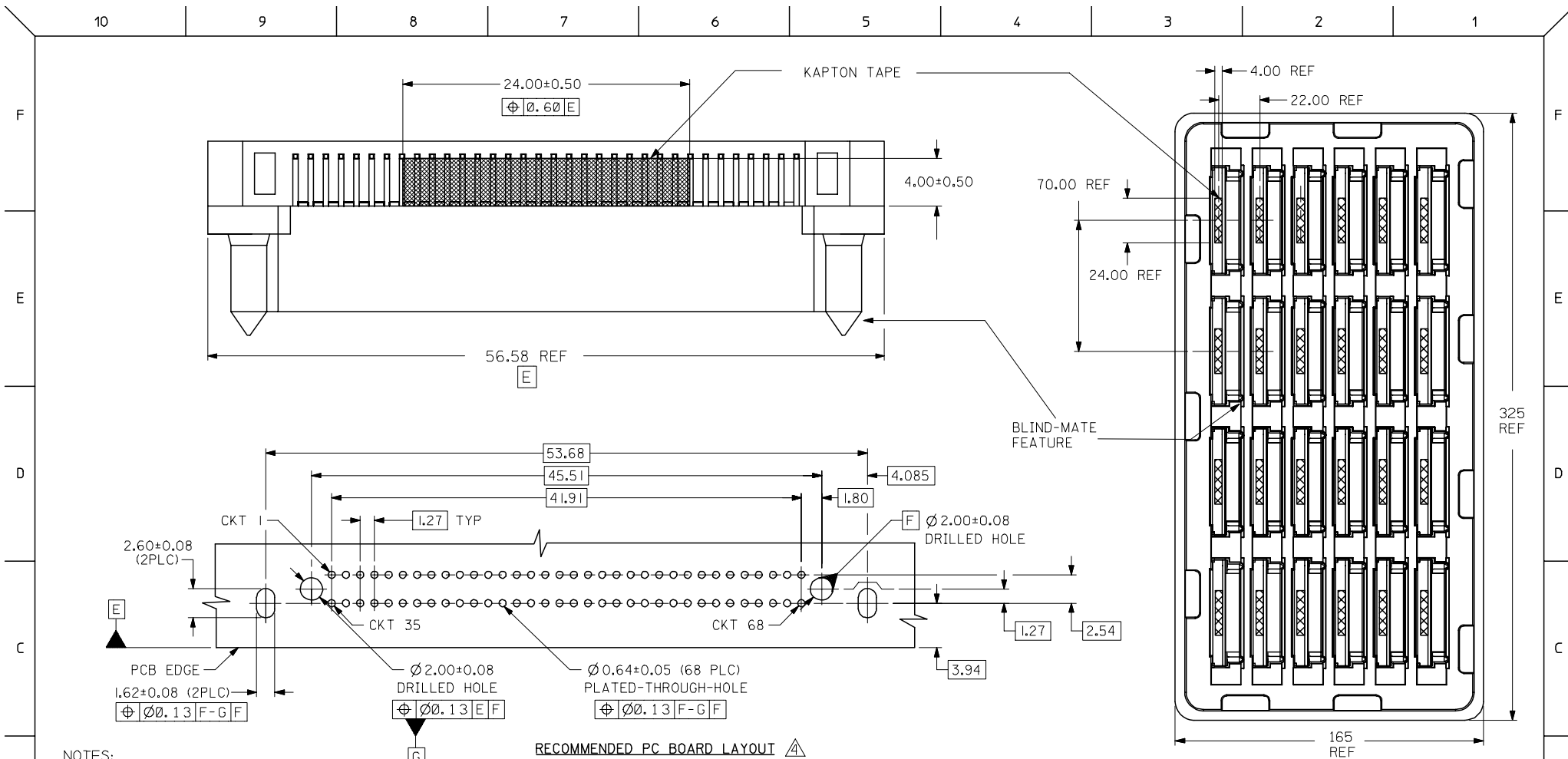
QUALITY SYMBOLS	DESCRIPTION
$\nabla = 0$	
$\triangle = 0$	

UPDATE NOTE1	DESCRIPTION
EC NO: S2007-0852	2007/04/03
DRWN:YKH	2007/04/03
CHKD:GTAN	2007/04/03
APPR:KCLING	2007/04/03

GENERAL TOLERANCES (UNLESS SPECIFIED)	DIMENSION STYLE
4 PLACES ± --- ± ---	MM ONLY
3 PLACES ± --- ± ---	
2 PLACES ± 0.25 ± ---	
1 PLACE ± --- ± ---	
ANGULAR ± 3 °	

DRAWN BY	DATE
PTL IM	1999/01/05
CHECKED BY	DATE
KCLING	1999/01/14
APPROVED BY	DATE
SKTOH	1999/01/15

SCALE	DESIGN UNITS	THIRD ANGLE PROJECTION
NTS	METRIC	
TITLE		
RECEPTACLE, CONNECTOR		
1.27MM CTR, 68 CKTS, BTB		
BLIND-MATE, 3MM HT., R/A		
MOLEX INCORPORATED		
DOCUMENT NO.		SHEET NO.
SD-87537-002		1 OF 2



NOTES:

- 1 MATERIALS:
HOUSING - LCP, GLASS FILLED, UL 94V-0, COLOR BLACK
TERMINAL - COPPER ALLOY
- 2 PLATING:
0.76µM MIN. GOLD IN SELECTIVE CONTACT AREA AND
2.54µM MIN. TIN IN SOLDER TAIL AREA,
BOTH OVER 1.27µM MIN. NICKEL
- 3 PRODUCT SPECIFICATION: PS-87537-0001
- 4 RECOMMENDED P.C. BOARD THICKNESS IS 1.20±0.05MM
- 5 CIRCUIT #58 TO BE RECESSED 0.50MM BEHIND
ALL OTHER CONTACTS
- 6 PART IS LUBRICATED AT TERMINAL CONTACTS TO
MINIMIZE UNMATE FORCE

RECOMMENDED PC BOARD LAYOUT COMPONENT SIDE

PART ORIENTATION IN TRAY
FOR PART NUMBER 87537-6822 ONLY
QUANTITY PER TRAY: 24 PIECES

UPDATE NOTE1 EC NO: S2007-0852 DRWN:YKOH 2007/04/03 CHKD:CGTAN 2007/04/03 APPR:KCLING 2007/04/03	DESCRIPTION QUALITY SYMBOLS ▽=0 ◻=0	GENERAL TOLERANCES (UNLESS SPECIFIED)		DIMENSION STYLE MM ONLY		SCALE NTS	DESIGN UNITS METRIC	THIRD ANGLE PROJECTION		
			mm	INCH	DRAWN BY PTLIM	DATE 1999/01/05	TITLE RECEPTACLE, CONNECTOR 1.27MM CTR, 68 CKTS, BTB BLIND-MATE, 3MM HT., R/A			
		4 PLACES	± ---	± ---	CHECKED BY KCLING	DATE 1999/01/14	MOLEX INCORPORATED DOCUMENT NO. SD-87537-002 SHEET NO. 2 OF 2			
		3 PLACES	± ---	± ---	APPROVED BY SKTOH	DATE 1999/01/15				
2 PLACES	± 0.25	± ---	ANGULAR ± 3 °		DRAFT WHERE APPLICABLE MUST REMAIN WITHIN DIMENSIONS					
1 PLACE	± ---	± ---	SEE TABLE		THIS DRAWING CONTAINS INFORMATION THAT IS PROPRIETARY TO MOLEX INCORPORATED AND SHOULD NOT BE USED WITHOUT WRITTEN PERMISSION					