

PLEASE CHECK WWW.MOLEX.COM FOR LATEST PART INFORMATION

Part Number: [0875378811](#)

Status: **Active**

Description: 1.27mm (.050") Pitch EBBI™ 50D Receptacle, Through Hole, Right Angle, Blind Mate, with Beveled Metal Pin and Plastic Peg, 0.76µm (30µ") Gold (Au) Selective Plating, 68 Circuits, 2.00mm (.079") PC Tail Length, Leadfree

Documents:

[3D Model](#)

[Drawing \(PDF\)](#)

[RoHS Certificate of Compliance \(PDF\)](#)

General

Product Family	PCB Receptacles
Series	87537
Application	Board-to-Board
Comments	No Lubricant at the Contact Z-Height: 8.20mm (.323)
Product Name	EBBI™

Physical

Circuits (Loaded)	68
Color - Resin	Black
Durability (mating cycles max)	2,000
Glow-Wire Compliant	No
Guide to Mating Part	Yes
Lock to Mating Part	None
Material - Metal	Phosphor Bronze
Material - Plating Mating	Gold
Material - Plating Termination	Tin
Material - Resin	High Temperature Thermoplastic
Number of Rows	2
Orientation	Right Angle
PC Tail Length (in)	0.079 In
PC Tail Length (mm)	2.00 mm
PCB Locator	Yes
PCB Retention	Yes
PCB Thickness Recommended (in)	0.062 In
PCB Thickness Recommended (mm)	1.60 mm
Packaging Type	Tray
Pitch - Mating Interface (in)	0.050 In
Pitch - Mating Interface (mm)	1.27 mm
Plating min: Mating (µin)	30.4
Plating min: Mating (µm)	0.76
Plating min: Termination (µin)	101.6
Plating min: Termination (µm)	2.54
Polarized to Mating Part	Yes
Polarized to PCB	Yes
Surface Mount Compatible (SMC)	Yes
Temperature Range - Operating	-40°C to +105°C
Termination Interface: Style	Through Hole

Electrical

Current - Maximum per Contact	1A
Voltage - Maximum	30V

Solder Process Data

Duration at Max. Process Temperature (seconds)	5
--	---

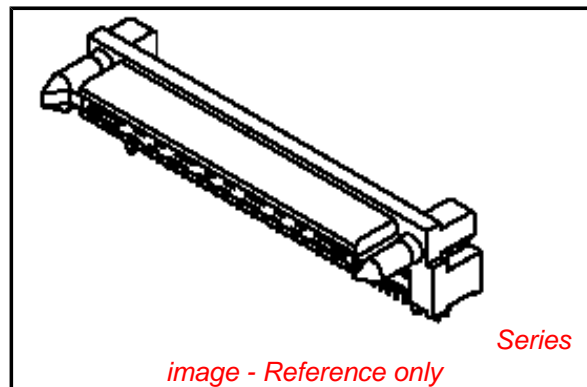


image - Reference only

EU RoHS

ELV and RoHS Compliant

REACH SVHC

Contains SVHC: No

Halogen-Free

Status

Halogen-Free

China RoHS



Need more information on product environmental compliance?

Email productcompliance@molex.com
For a multiple part number RoHS Certificate of Compliance, [click here](#)

Please visit the [Contact Us](#) section for any non-product compliance questions.

Search Parts in this Series

[87537Series](#)

Mates With

[71661 EBBI™ Right Angle Blind Mate Plug](#),
[EBBI™ Vertical Blind Mate Plug](#)

Lead-free Process Capability	SMC & Wave Capable (TH only)
Max. Cycles at Max. Process Temperature	1
Process Temperature max. C	265

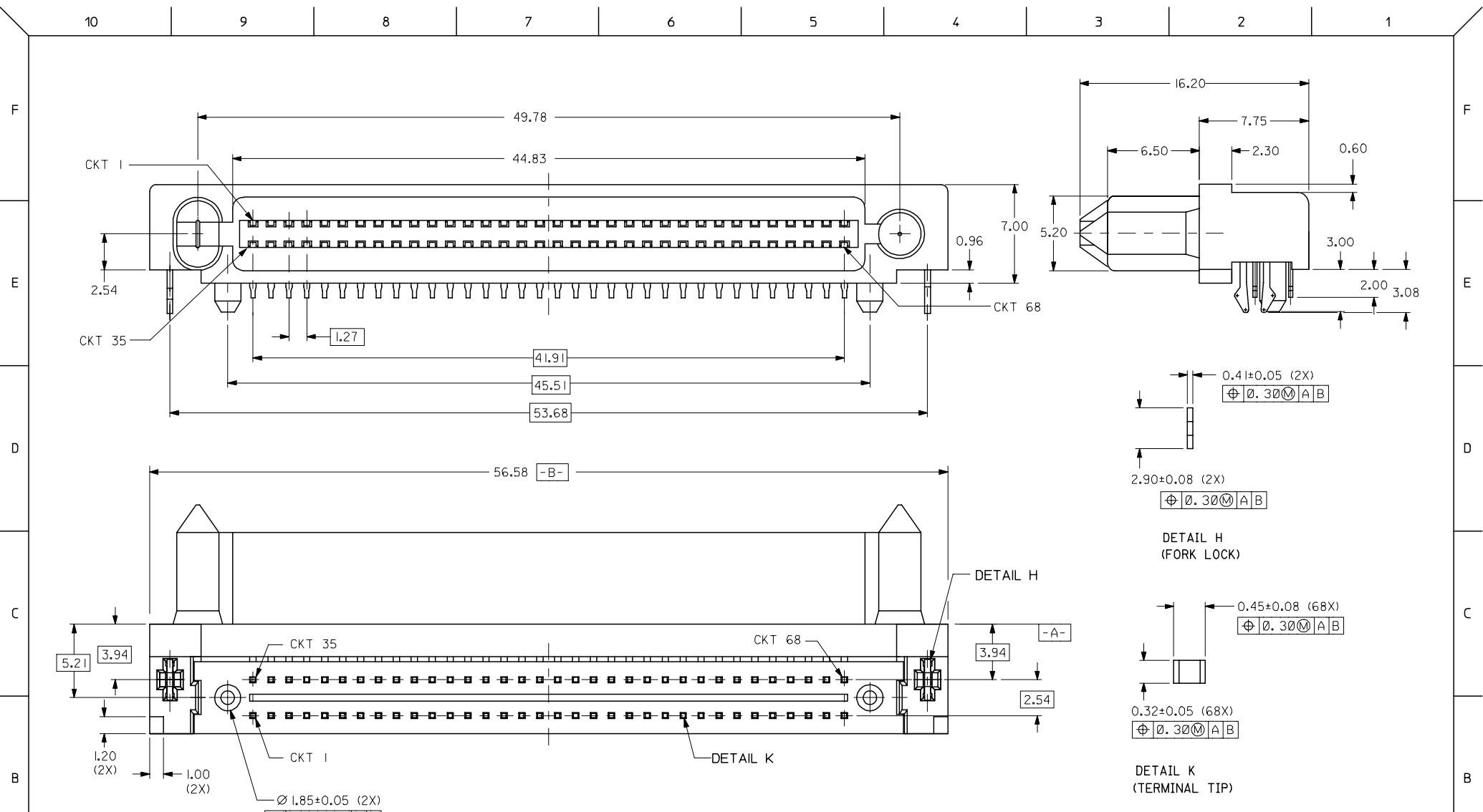
Material Info

Reference - Drawing Numbers

Sales Drawing	SD-87537-6811
---------------	---------------

This document was generated on 03/18/2010

PLEASE CHECK WWW.MOLEX.COM FOR LATEST PART INFORMATION



PART NO. (PACKED IN CARTON)	PART NO. (PACKED IN BIN)	CONTACTS LUBRICATION	CKT SIZE
87537-8814	87537-8834	YES	68
87537-8812	87537-8832	NO	68

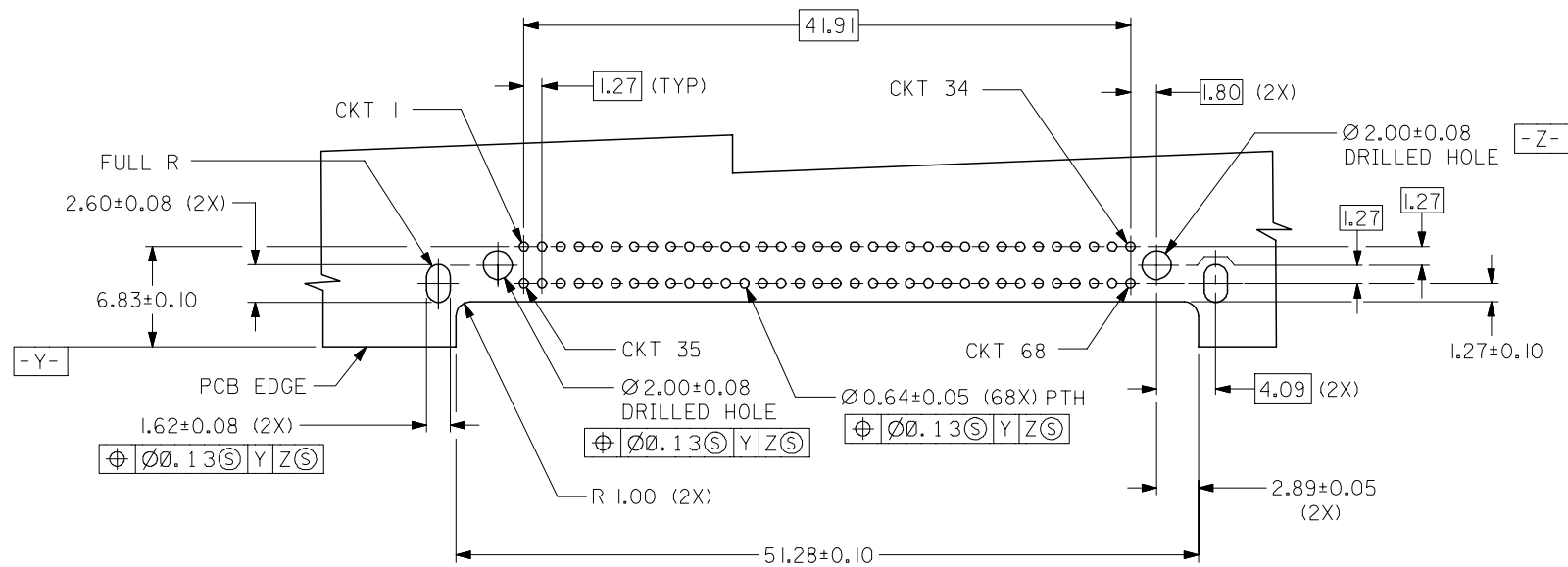
OBS TIN/LEAD P/N
 EC NO: S2006-0729
 DRWN:MLONG 2006/02/27
 CHKD:SHONG 2006/02/27
 APPR:KCLING 2006/02/28

QUALITY SYMBOLS
 ▽=0
 ▽=0

	GENERAL TOLERANCES (UNLESS SPECIFIED)	
	mm	INCH
4 PLACES	± ---	± ---
3 PLACES	± ---	± ---
2 PLACES	± 0.25	± ---
1 PLACE	± ---	± ---
ANGULAR ± 3°		
DRAFT WHERE APPLICABLE MUST REMAIN WITHIN DIMENSIONS		

DIMENSION STYLE MM ONLY	
DRAWN BY	DATE
PTL IM	1995/12/28
CHECKED BY	DATE
SKTOH	1996/03/26
APPROVED BY	DATE
ROY	1996/03/26
MATERIAL NO.	SEE TABLE

SCALE	DESIGN UNITS	THIRD ANGLE PROJECTION
NTS	METRIC	☉
TITLE		
EBBI, RECEPTACLE, CONN. 1.27MM CTR, 68 CKTS, BTB B/MATE, 2.54 HT., R/A		
MOLEX INCORPORATED		
DOCUMENT NO.	SHEET NO.	
SD-87537-6812	1 OF 2	



RECOMMENDED PC BOARD LAYOUT 3
COMPONENT SIDE

NOTES:

- 1 MATERIALS:
HOUSING- LCP, 30% GLASS FILLED, UL94V-0, BLACK.
TERMINALS- PHOSPHOR BRONZE.
- 2 PLATING:
0.76µm MIN. GOLD IN SELECTIVE CONTACT AREA AND
2.54µm MIN. TIN IN SOLDER TAIL AREA, BOTH
OVER 1.27µm MIN. NICKEL.
- 3 RECOMMENDED P.C. BOARD THICKNESS IS 1.57+/-0.13MM.
- 4 CIRCUIT #58 TO BE RECESSED 0.50mm BEHIND
ALL OTHER CONTACTS.
- 5 PART IS LUBRICATED AT TERMINAL CONTACTS TO MINIMISE
UNMATE FORCE.

OBS TIN/LEAD P/N	EC NO: S2006-0729	DRWN:MLONG	CHKD:SHONG	APPR:KCLING	REV
2006/02/27	2006/02/27	2006/02/27	2006/02/28	DESCRIPTION	QUALITY SYMBOLS
					$\nabla = 0$ $\triangle = 0$

GENERAL TOLERANCES (UNLESS SPECIFIED)	
mm	INCH
4 PLACES ± ---	± ---
3 PLACES ± ---	± ---
2 PLACES ± 0.25	± ---
1 PLACE ± ---	± ---
ANGULAR ± 3°	
DRAFT WHERE APPLICABLE MUST REMAIN WITHIN DIMENSIONS	

DIMENSION STYLE	
MM ONLY	
DRAWN BY	DATE
PTL IM	1995/12/28
CHECKED BY	DATE
SKT0H	1996/03/26
APPROVED BY	DATE
ROY	1996/03/26
MATERIAL NO.	
SEE TABLE	
SIZE	A3
THIS DRAWING CONTAINS INFORMATION THAT IS PROPRIETARY TO MOLEX INCORPORATED AND SHOULD NOT BE USED WITHOUT WRITTEN PERMISSION	

SCALE	DESIGN UNITS	THIRD ANGLE PROJECTION
NTS	METRIC	
TITLE		
EBBI, RECEPTACLE, CONN. 1.27MM CTR, 68 CKTS, BTB B/MATE, 2.54 HT., R/A		
MOLEX INCORPORATED		
DOCUMENT NO.		SHEET NO.
SD-87537-6812		2 OF 2