



R070LD10

LINEAR INTEGRATED CIRCUIT

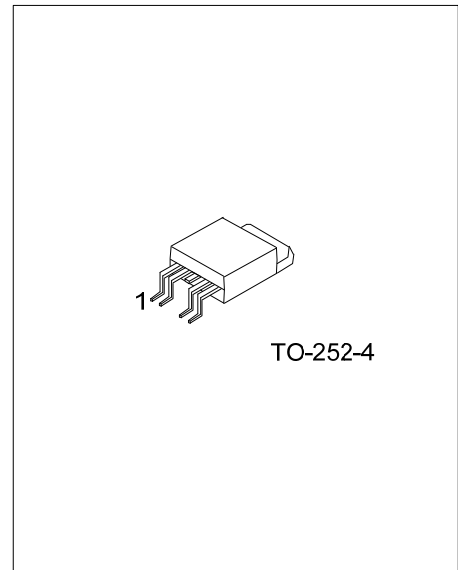
VOLTAGE REGULATOR

DESCRIPTION

As the UTC linear integrated LDO, the UTC **R070LD10** shows a high current, high accuracy, low-dropout voltage which built in on/off function. The features are: low dropout voltage, very low ground current. Cause the series have been designed for high current loads, so they are also used in lower current, extremely low dropout-critical systems (in which their tiny dropout voltage and ground current values are important attributes).

FEATURES

- * Built-in ON/OFF Function
- * Over Current Protection Function
- * Over Heat Protection Function
- * Adjustable DC Output Voltage



ORDERING INFORMATION

Ordering Number		Package	Packing
Lead Free	Halogen Free		
R070LD10L-xx-TN4-R	R070LD10G-xx-TN4-R	TO-252-4	Tape Reel

Note: xx: Output Voltage, refer to Marking Information.

<p>R070LD10L-xx-TN4-R</p> <p>(1) Packing Type (2) Package Type (3) Output Voltage Code (4) Lead Free</p>	<p>(1) R: Tape Reel (2) TN4: TO-252-4 (3) xx: Refer to Marking Information (4) G: Halogen Free, L: Lead Free</p>
--	--

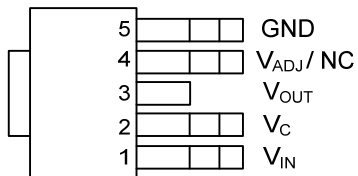
R070LD10

LINEAR INTEGRATED CIRCUIT

MARKING INFORMATION

PACKAGE	VOLTAGE CODE	MARKING
TO-252-4	18 : 1.8V 25 : 2.5V 50 : 5.0V AD : ADJ	<p> UTC R070LD10 Voltage Code L: Lead Free G: Halogen Free LOT Code Date Code 1 2 3 4 5 </p>

PIN CONFIGURATION



PIN DESCRIPTION

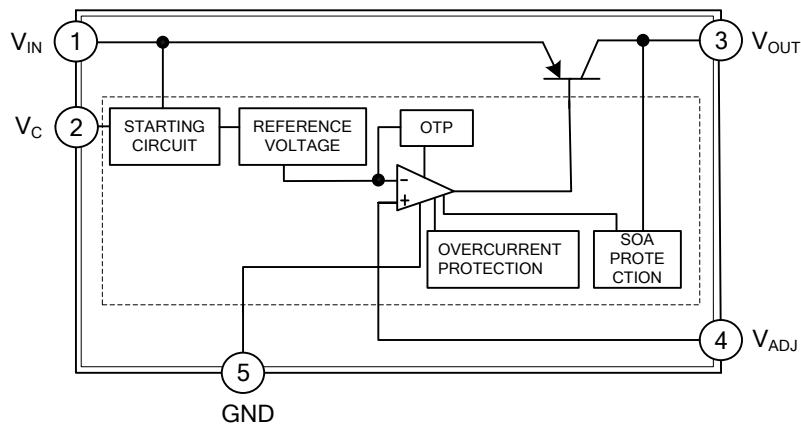
PIN NO.	PIN NAME	FUNCTION
1	V_{IN}	DC input
2	V_C	ON/OFF control
3	V_{OUT}	DC output
4	V_{ADJ}/NC	Output voltage adjustment / No Connection
5	GND	Ground

R070LD10

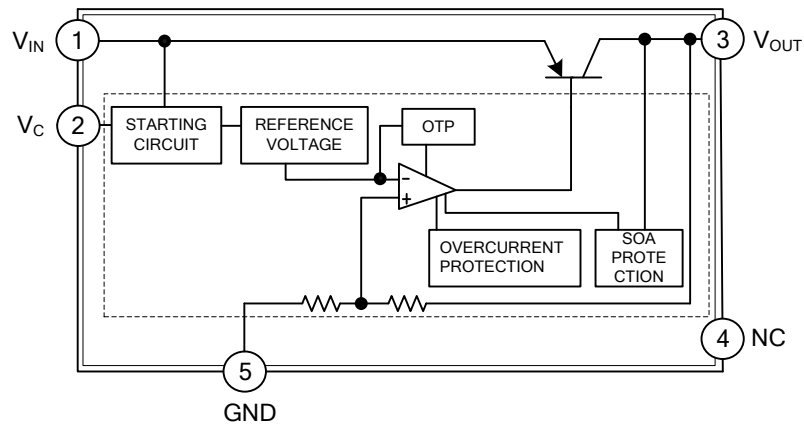
LINEAR INTEGRATED CIRCUIT

■ BLOCK DIAGRAM

For Adjustable Version



For Fixed Version



■ ABSOLUTE MAXIMUM RATINGS

PARAMETER	SYMBOL	RATINGS	UNITS
Input Voltage (Note 2)	V_{IN}	10	V
ON/OFF Control Voltage (Note 2)	V_C	10	V
Output Adjustment pin Voltage (Note 2)	V_{ADJ}	5	V
Output Current	I_{OUT}	1	A
Power Dissipation	P_D	8	W
Junction Temperature	T_J	150	°C
Operating Temperature	T_{OPR}	-40 ~ +85	°C
Storage Temperature	T_{STG}	-40 ~ +150	°C

Note: 1. Absolute maximum ratings are those values beyond which the device could be permanently damaged.

Absolute maximum ratings are stress ratings only and functional device operation is not implied.

2. All are open except GND and applicable terminals.

■ ELECTRICAL CHARACTERISTICS

For Adjustable Version

($V_{IN}=5V$, $V_{OUT}=3.3V$ ($R_1=1K\Omega$), $I_{OUT}=500mA$, $V_C=2.7V$, $T_a=25^\circ C$, unless otherwise specified)

PARAMETER	SYMBOL	CONDITIONS	MIN	TYP	MAX	UNITS
Input Voltage	V_{IN}		2.35		10.0	V
Output Voltage	V_{OUT}		1.5		7.0	V
Load Regulation	ΔV_{OUT}	$I_{OUT}=5mA\sim 1A$		0.2	1	%
Line Regulation	ΔV_{OUT}	$V_{IN}=4\sim 8V$, $I_{OUT}=5mA$		0.2	1	%
Ripple Rejection	RR			60		dB
Dropout Voltage	V_D	$I_{OUT}=500mA$, $V_{IN}=2.85V$			0.5	V
Reference Voltage	V_{REF}		1.206	1.23	1.254	V
Temperature Coefficient of Reference Voltage	$T_C V_{REF}$	$T_J=0\sim 125^\circ C$, $I_{OUT}=5mA$		± 1.0		%
ON-State Voltage for Control	$V_{C(ON)}$	(Note)	2.0			V
ON-State Current for Control	$I_{C(ON)}$				200	μA
OFF-State Voltage for Control	$V_{C(OFF)}$	$I_{OUT}=0A$			0.6	V
OFF-State Current for Control	$I_{C(OFF)}$	$I_{OUT}=0A$, $V_C=0.4V$			5	μA
Quiescent Current	I_Q	$I_{OUT}=0A$		1	2	mA
Output Off-State Consumption Current	I_{QS}	$V_C=0.4V$			5	μA

Note: In case that the control terminal (2th pin) is non-connection, output voltage should be OFF state.

For Fixed Version

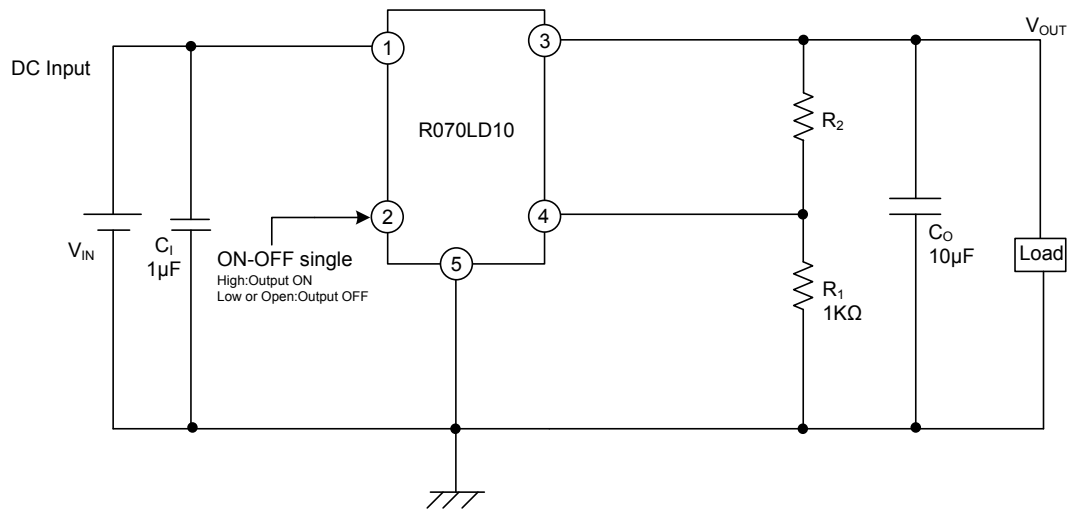
($V_{IN}=V_{OUT}+1V$, $I_{OUT}=500mA$, $V_C=2.0V$, $T_a=25^\circ C$, unless otherwise specified)

PARAMETER	SYMBOL	CONDITIONS	MIN	TYP	MAX	UNITS
Input Voltage	V_{IN}				10.0	V
Output Voltage	V_{OUT}		$V_{OUT}\times 0.98$	V_{OUT}	$V_{OUT}\times 1.02$	V
Load Regulation	ΔV_{OUT}	$I_{OUT}=5mA\sim 1A$		0.2	1	%
Line Regulation	ΔV_{OUT}	$V_{IN}=V_{OUT}+0.5V\sim 8V$, $I_{OUT}=5mA$		0.2	1	%
Ripple Rejection	RR			60		dB
Dropout Voltage	V_D	$I_{OUT}=500mA$			0.5	V
Temperature Coefficient of Reference Voltage	$T_C V_{REF}$	$T_J=0\sim 125^\circ C$, $I_{OUT}=5mA$		± 1.0		%
ON-State Voltage for Control	$V_{C(ON)}$	(Note)	2.0			V
ON-State Current for Control	$I_{C(ON)}$				200	μA
OFF-State Voltage for Control	$V_{C(OFF)}$	$I_{OUT}=0A$			0.6	V
OFF-State Current for Control	$I_{C(OFF)}$	$I_{OUT}=0A$, $V_C=0.4V$			5	μA
Quiescent Current	I_Q	$I_{OUT}=0A$		1	2	mA
Output Off-State Consumption Current	I_{QS}	$V_C=0.4V$			5	μA

Note: In case that the control terminal (2th pin) is non-connection, output voltage should be OFF state.

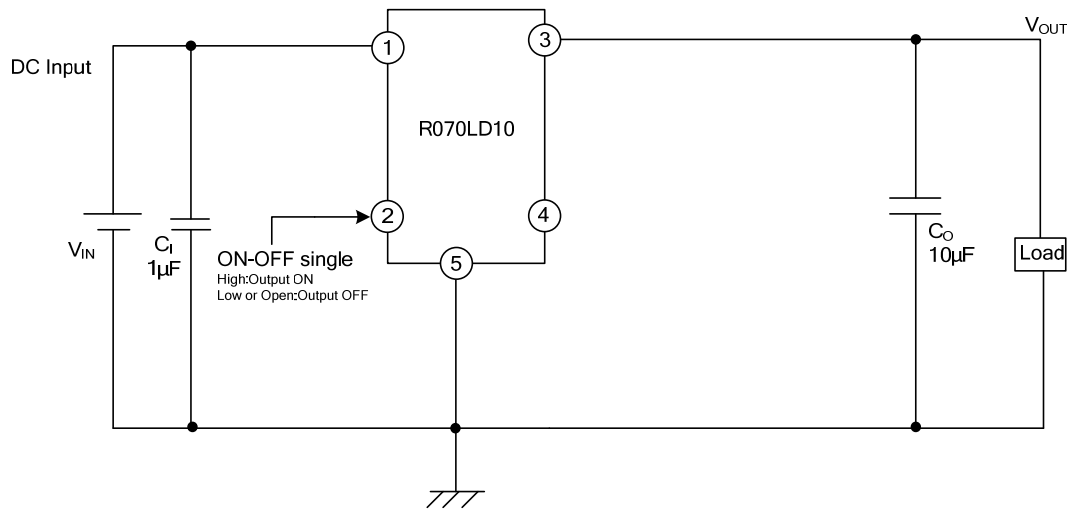
■ TYPICAL APPLICATION CIRCUITS

Adjustable Voltage:



Note: There is no oscillation when both C_{IN} and C_{OUT} are removed, if applications are properly matched.

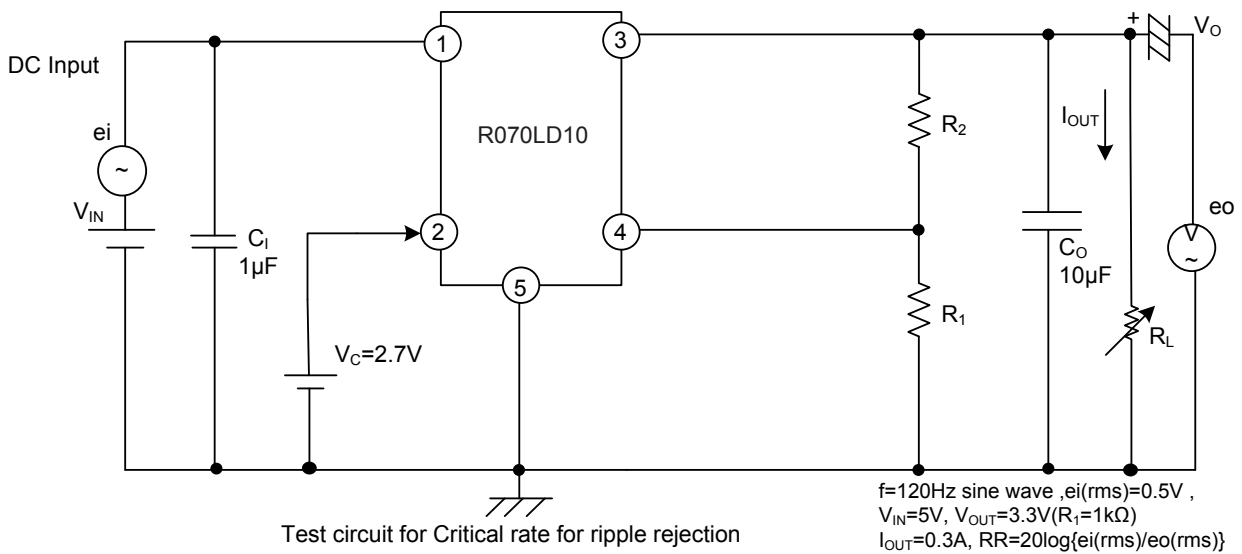
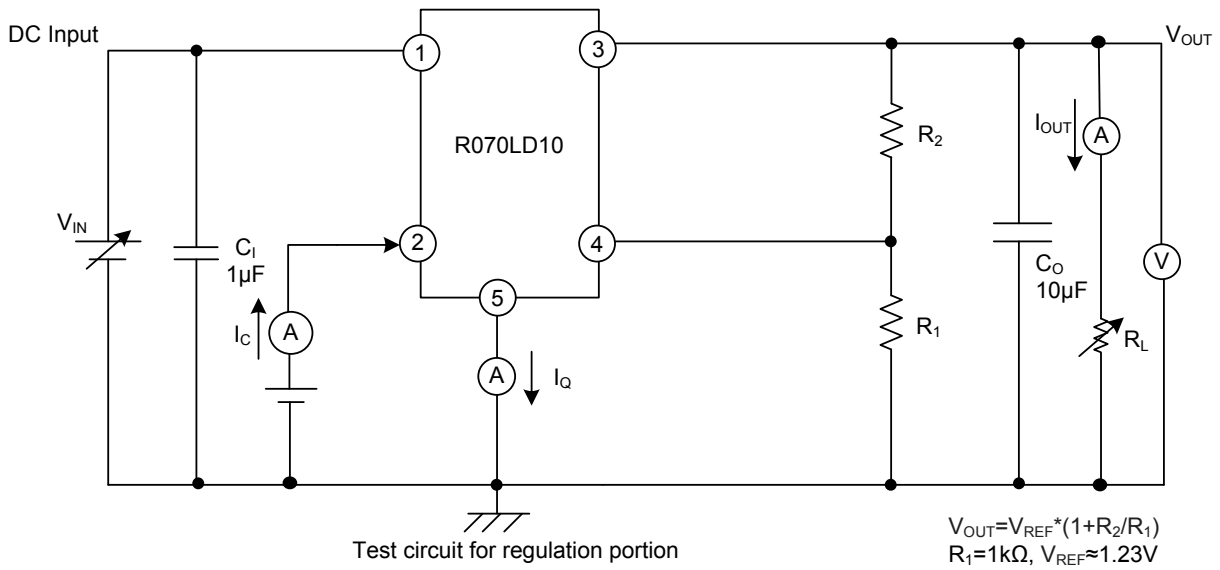
Fixed Voltage:



Note: There is no oscillation when both C_{IN} and C_{OUT} are removed, if applications are properly matched.

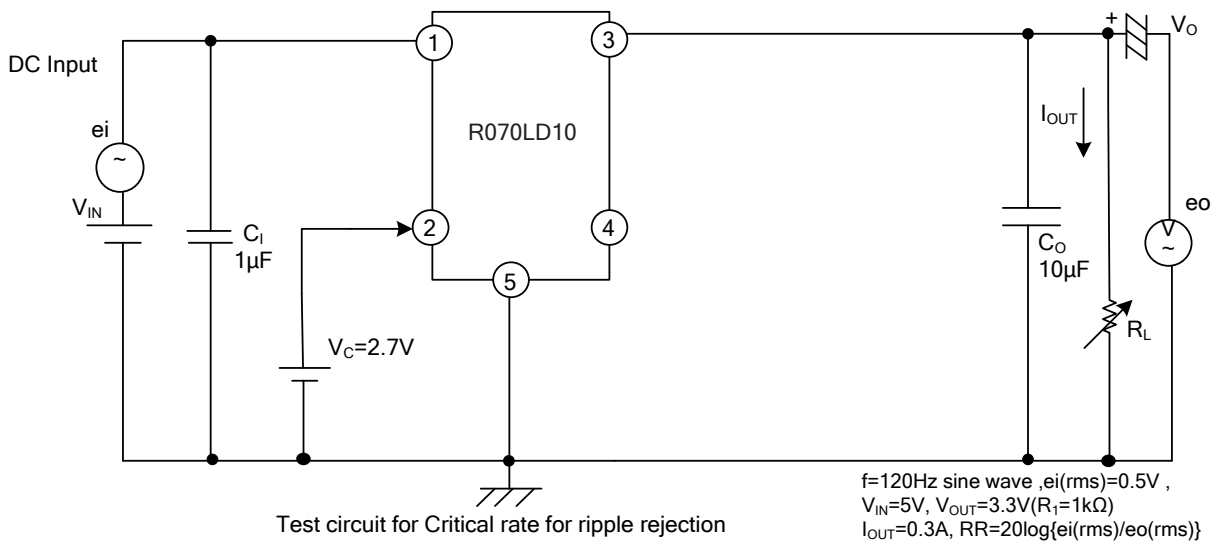
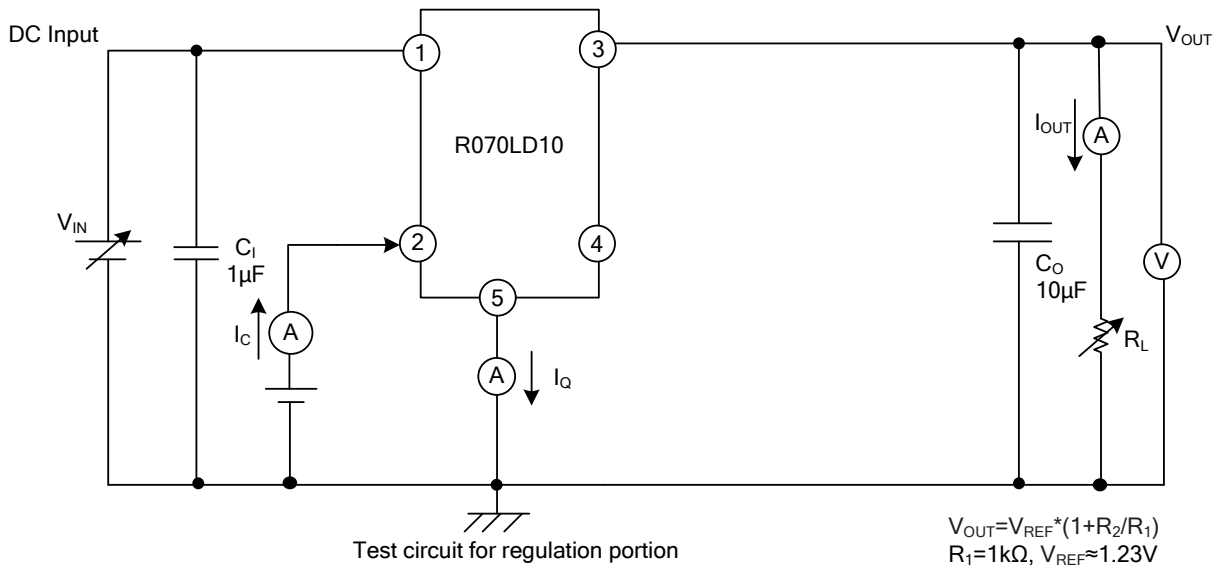
ELECTRICAL CHARACTERISTICS MEASURING CIRCUITS

Adjustable Voltage:

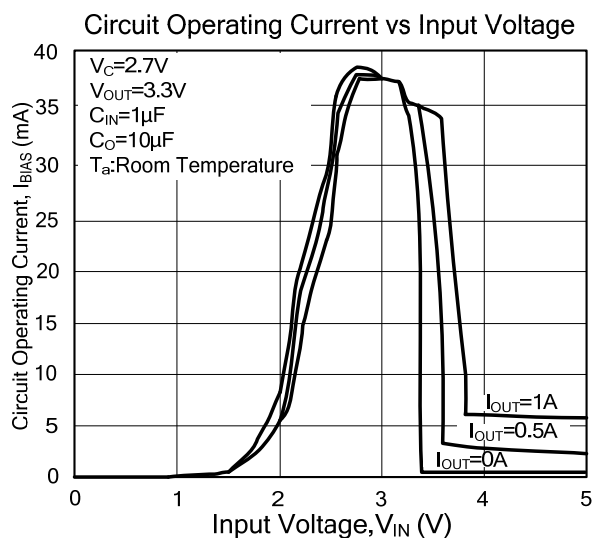
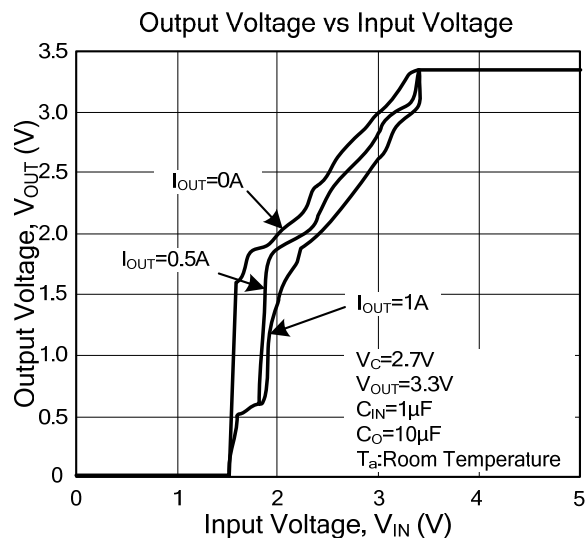
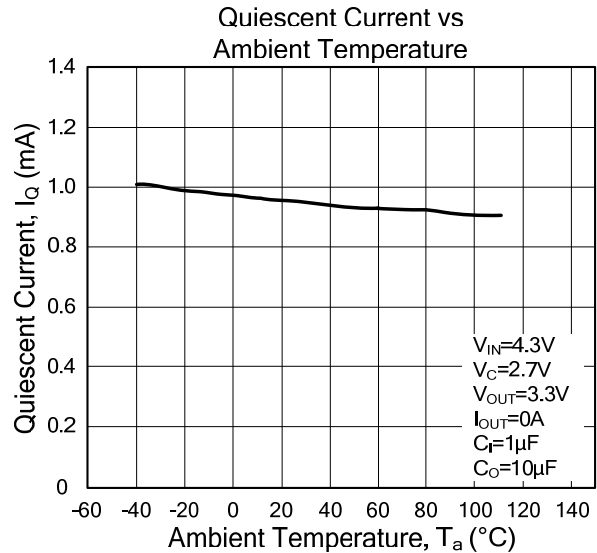
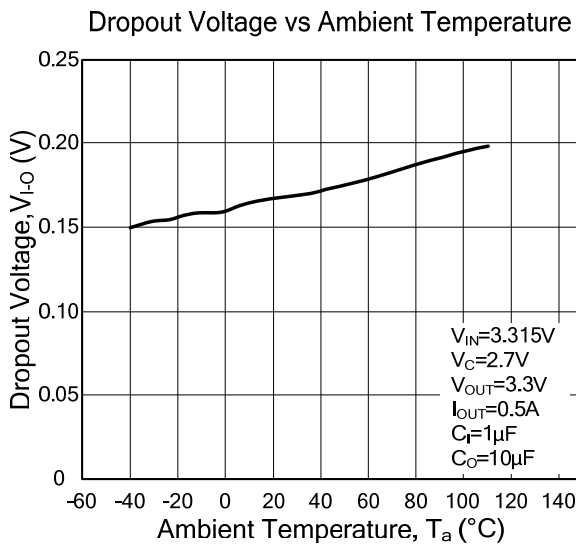
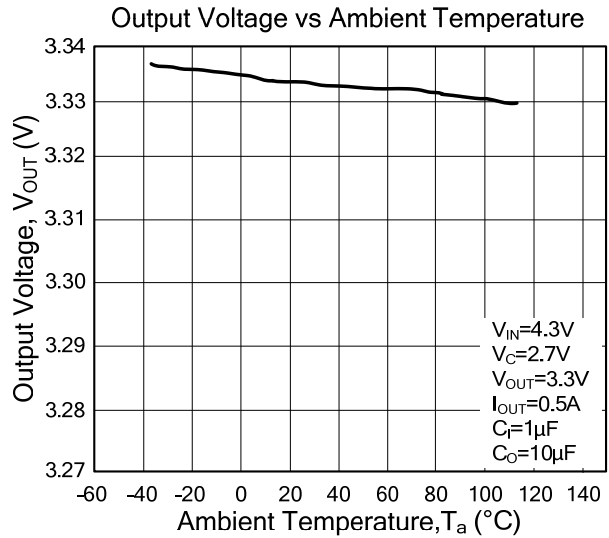
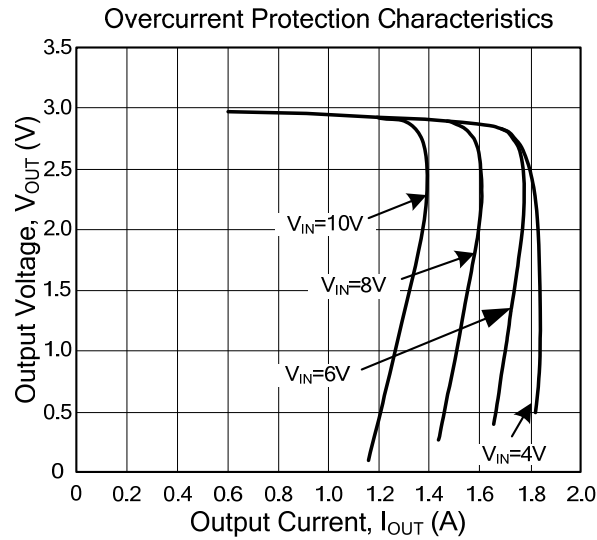


■ ELECTRICAL CHARACTERISTICS MEASURING CIRCUITS(Cont.)

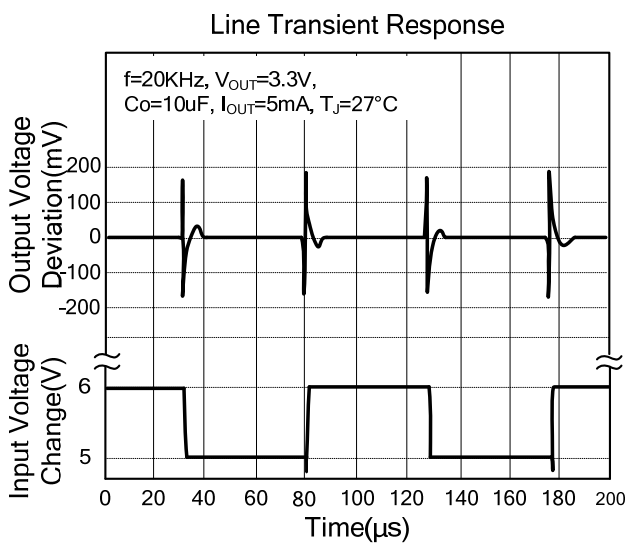
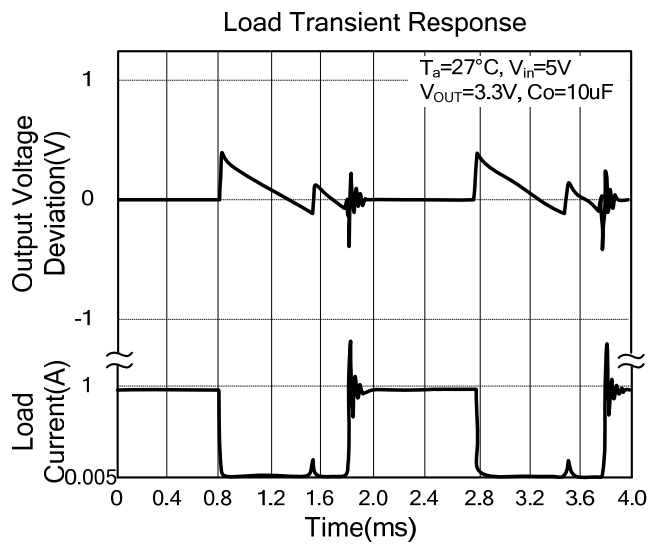
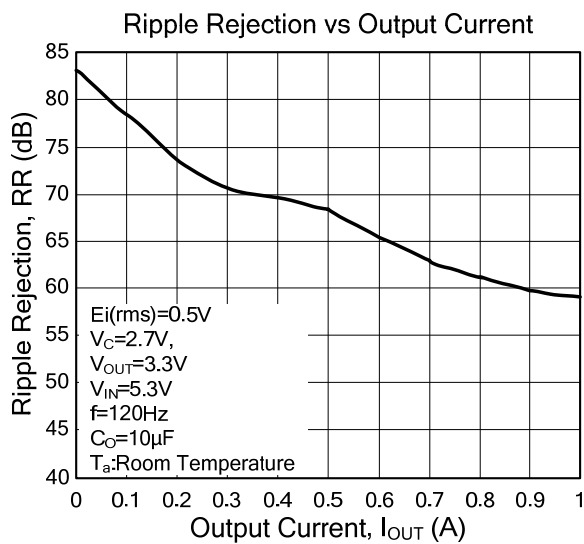
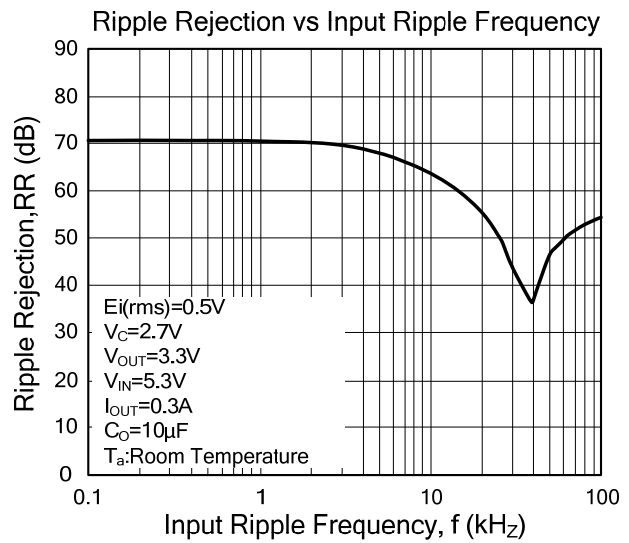
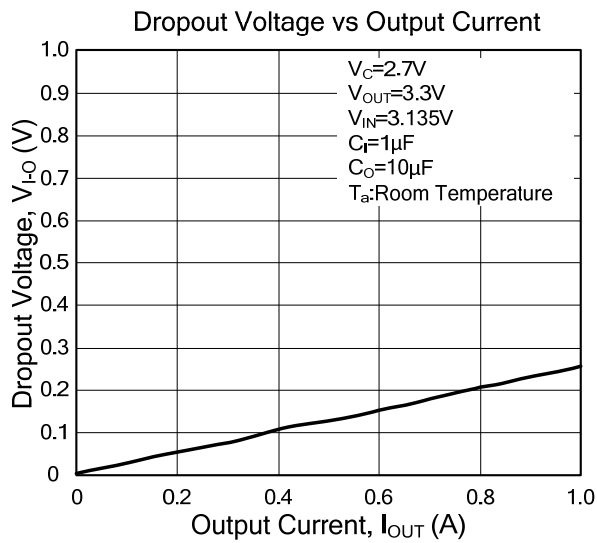
Fixed Voltage:



TYPICAL CHARACTERISTICS



TYPICAL CHARACTERISTICS(Cont.)



UTC assumes no responsibility for equipment failures that result from using products at values that exceed, even momentarily, rated values (such as maximum ratings, operating condition ranges, or other parameters) listed in products specifications of any and all UTC products described or contained herein. UTC products are not designed for use in life support appliances, devices or systems where malfunction of these products can be reasonably expected to result in personal injury. Reproduction in whole or in part is prohibited without the prior written consent of the copyright owner. The information presented in this document does not form part of any quotation or contract, is believed to be accurate and reliable and may be changed without notice.