

PLEASE CHECK WWW.MOLEX.COM FOR LATEST PART INFORMATION

Part Number: **0791098609**
Status: **Active**
Description: 2.00mm (.079") Pitch Milli-Grid™ Receptacle, Surface Mount, Vertical, Top/Bottom Entry, with Press-fit Plastic Pegs, with Cap, Embossed Tape on Reel, 0.38µm (15µ") Gold (Au) Selective, 20 Circuits, Leadfree

Documents:

[3D Model](#) [Product Specification PS-79107 \(PDF\)](#)
[Drawing \(PDF\)](#) [RoHS Certificate of Compliance \(PDF\)](#)

Agency Certification

CSA LR19980
 UL E29179

General

Product Family PCB Receptacles
 Series [79109](#)
 Application Board-to-Board
 Comments With Cap
 Product Name Milli-Grid™

Physical

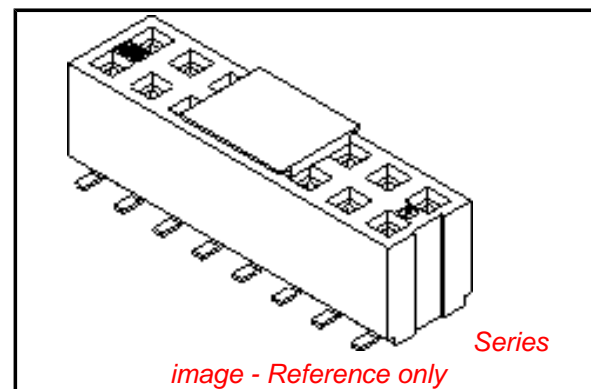
Circuits (Loaded) 20
 Color - Resin Black, Natural
 Durability (mating cycles max) 50
 Flammability 94V-0
 Glow-Wire Compliant No
 Lock to Mating Part None
 Material - Metal Phosphor Bronze
 Material - Plating Mating Gold
 Material - Plating Termination Tin
 Material - Resin High Temperature Thermoplastic
 Number of Rows 2
 Orientation Vertical
 PCB Locator Yes
 PCB Retention Yes
 Packaging Type Embossed Tape on Reel
 Pitch - Mating Interface (in) 0.079 In
 Pitch - Mating Interface (mm) 2.00 mm
 Plating min: Mating (µin) 15
 Plating min: Mating (µm) 0.38
 Plating min: Termination (µin) 75
 Plating min: Termination (µm) 1.875
 Polarized to Mating Part No
 Polarized to PCB No
 Surface Mount Compatible (SMC) N/A
 Temperature Range - Operating -55°C to +105°C
 Termination Interface: Style Surface Mount

Electrical

Current - Maximum per Contact 1A
 Voltage - Maximum 125V

Solder Process Data

Duration at Max. Process Temperature (seconds) 10
 Lead-free Process Capability Reflow Capable (SMT only)
 Max. Cycles at Max. Process Temperature 1



EU RoHS

ELV and RoHS Compliant
REACH SVHC
 Not Reviewed
Halogen-Free Status
Not Reviewed

China RoHS



Need more information on product environmental compliance?

Email productcompliance@molex.com
 For a multiple part number RoHS Certificate of Compliance, [click here](#)

Please visit the [Contact Us](#) section for any non-product compliance questions.

Search Parts in this Series

[79109Series](#)

Mates With

[87833](#) , [87832](#) , [87831](#) , [87758](#) , [87759](#) , [87760](#)

Process Temperature max. C

260

Material Info

Reference - Drawing Numbers

Product Specification

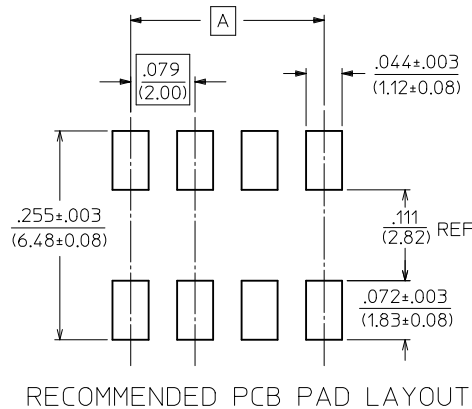
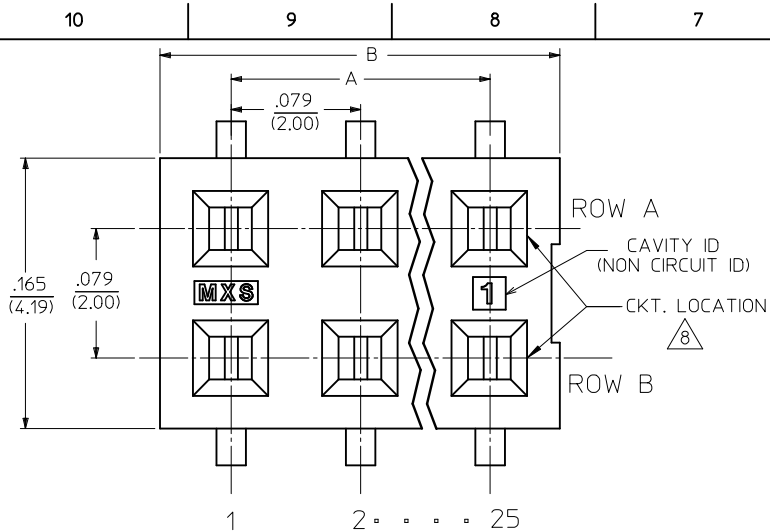
PS-79107

Sales Drawing

SDA-79109-****

This document was generated on 04/09/2010

PLEASE CHECK WWW.MOLEX.COM FOR LATEST PART INFORMATION

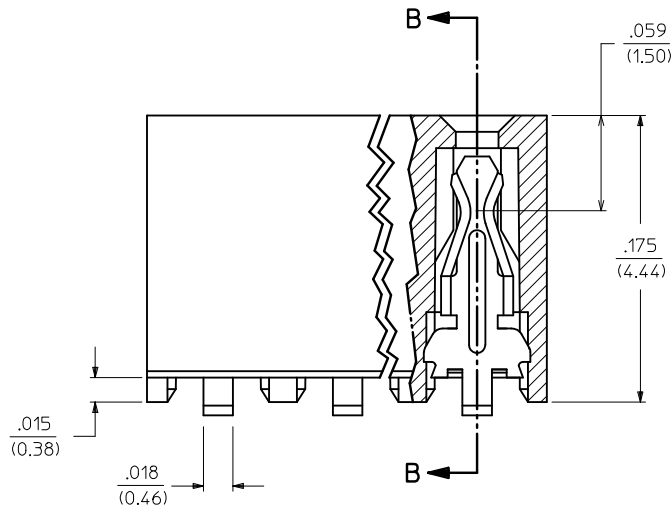


NOTES:

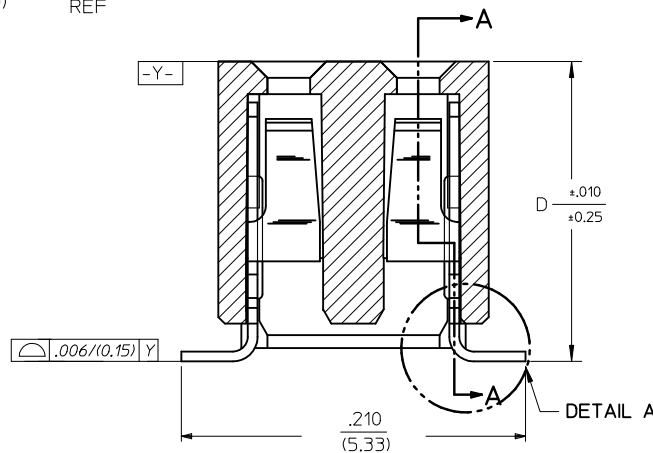
1. HOUSING MATERIAL:
LCP, GLASS FILLED, UL 94V-0
COLOUR BLACK.
2. TERMINAL MATERIAL:
PHOSPHOR BRONZE
3. SEE APPROPRIATE SHEET FOR CIRCUIT SIZE,
PART NUMBERS AND OVERALL DIMENSIONS.
4. FOR ILLUSTRATION, 6 CKT ASSY SHOWN.
5. REFER TO PRODUCT SPEC PS-79107.
6. TUBE PACKAGING PER PK-70873-0217 OR
TAPE PACKAGING PER PK-70873-0259
7. SEE SHT 3 FOR PEG OPTION ASSEMBLIES.
8. CKT LOCATIONS ARE NUMBERED FROM LEFT TO
RIGHT WHEN VIEWING ASSY FROM TOP WITH
THE GATE RECESS ON THE RIGHT AS SHOWN.
9. SEE SHT 5 & 6 FOR VOIDED CIRCUIT PART NUMBERS.
10. MEASUREMENT IS TAKEN BETWEEN THE TANGENT OF
THE TOE TO TIP OF THE TERMINAL.

PLATING OPTION:

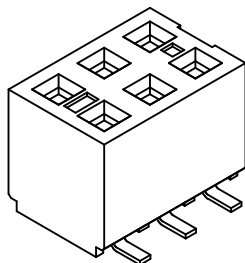
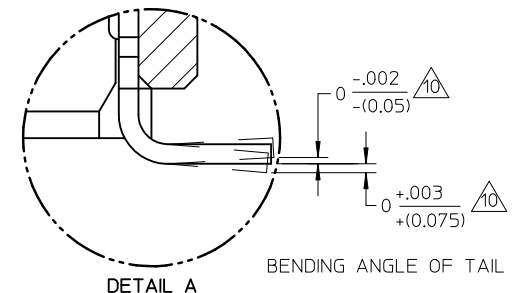
4. 30u* (0.75um) MIN. GOLD PLATE IN SELECTED AREA AND
75u* (1.88um) MIN. TIN PLATE IN SELECTED AREA OVER
50u* (1.25um) MIN. NICKEL OVERALL.
5. 15u* (0.38um) MIN. GOLD PLATE IN SELECTED AREA AND
75u* (1.88um) MIN. TIN PLATE IN SELECTED AREA OVER
50u* (1.25um) MIN. NICKEL OVERALL.
6. 5u* (0.13um) MIN. GOLD PLATE IN SELECTED AREA AND
75u* (1.88um) MIN. TIN PLATE IN SELECTED AREA OVER
50u* (1.25um) MIN. NICKEL OVERALL.



SECTION A-A

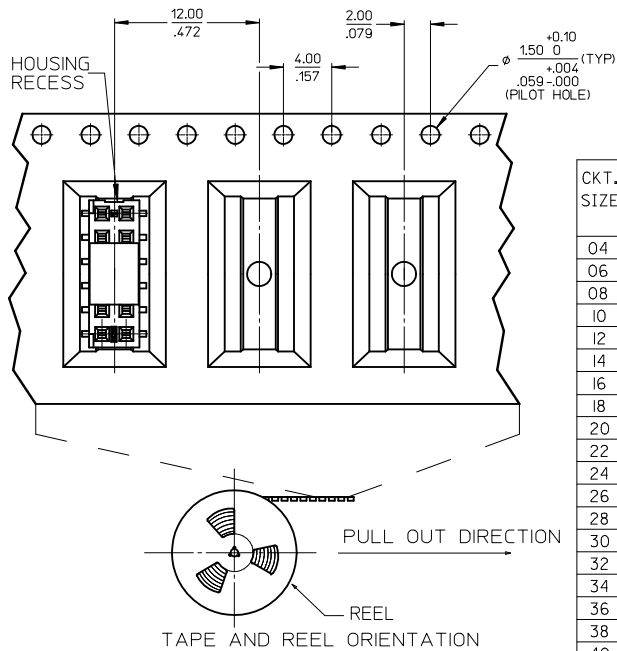


SECTION B-B



| | | | | | | | | | | | |
|---|--|--|--------|-----------------|---|-----------------------------|--------------|---------------------------------------|--|--|--|
| REVISED EC NO: S2010-0566 DRWN:SKANG CHYKD:ATSEE APPR:MLONG 2010/01/05 2010/02/03 2010/02/19 | QUALITY SYMBOLS $F_A=0$ $F_C=0$ $F_B=0$ | GENERAL TOLERANCES (UNLESS SPECIFIED) | | DIMENSION STYLE | | SCALE | DESIGN UNITS | THIRD ANGLE PROJECTION | | | |
| | | | | IN/MM | | NTS | INCH | | | | |
| | | | | mm | INCH | DRAWN BY | DATE | TITLE | | | |
| | | | | 4 PLACES ± --- | ± --- | AAB | 1989/05/15 | 2MM DUAL ROW VERTICAL RECEPTACLE, SMT | | | |
| | | 3 PLACES ± --- | ± 0.10 | CHECKED BY | DATE | MOLEX INCORPORATED | | | | | |
| | | 2 PLACES ± 0.25 | ± 0.15 | MJM | 1989/05/15 | | | | | | |
| | | 1 PLACE ± 0.38 | ± --- | APPROVED BY | DATE | DOCUMENT NO. SDA-79109-**** | | | | | |
| | | ANGULAR ± 3 ° | | MLONG | 2010/02/18 | | | | | | |
| | | DRAFT WHERE APPLICABLE MUST REMAIN WITHIN DIMENSIONS | | MATERIAL NO. | SHEET NO. 1 OF 10 | | | | | | |
| | | | | SIZE | THIS DRAWING CONTAINS INFORMATION THAT IS PROPRIETARY TO MOLEX INCORPORATED AND SHOULD NOT BE USED WITHOUT WRITTEN PERMISSION | | | | | | |
| | | | | A3 | | | | | | | |

WITHOUT PEG OPTION

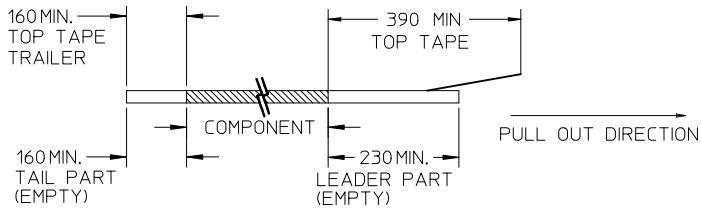


| CKT. SIZE | DIM. "A" | | DIM. "B" | | DIM. "D" | | PLATING OPTION 5 | | PLATING OPTION 4 | | PLATING OPTION 6 | | |
|-----------|----------|---------|----------|---------|----------|--------|------------------------------------|-----------------------------------|------------------------------------|-----------------------------------|------------------------------------|-----------------------------------|---|
| | INCH | MM | INCH | MM | INCH | MM | ITEM NO. TUBE PACKED (WITHOUT CAP) | ITEM NO. TAPE PACKED (WITH CAP A) | ITEM NO. TUBE PACKED (WITHOUT CAP) | ITEM NO. TAPE PACKED (WITH CAP A) | ITEM NO. TUBE PACKED (WITHOUT CAP) | ITEM NO. TAPE PACKED (WITH CAP A) | |
| 04 | .079 | (2.00) | .165 | (4.19) | .183 | (4.65) | 79109-1001 | 79109-8401 | 79109-1051 | 79109-8451 | X | 79109-1101 | - |
| 06 | .157 | (4.00) | .244 | (6.19) | .183 | (4.65) | 79109-1002 | 79109-8402 | 79109-1052 | 79109-8452 | X | 79109-1102 | - |
| 08 | .236 | (6.00) | .322 | (8.19) | .183 | (4.65) | 79109-1003 | 79109-8403 | 79109-1053 | 79109-8453 | X | 79109-1103 | - |
| 10 | .315 | (8.00) | .401 | (10.19) | .183 | (4.65) | 79109-1004 | 79109-8404 | 79109-1054 | 79109-8454 | X | 79109-1104 | - |
| 12 | .394 | (10.00) | .480 | (12.19) | .183 | (4.65) | 79109-1005 | 79109-8405 | 79109-1055 | 79109-8455 | X | 79109-1105 | - |
| 14 | .472 | (12.00) | .559 | (14.19) | .183 | (4.65) | 79109-1006 | 79109-8406 | 79109-1056 | 79109-8456 | X | 79109-1106 | - |
| 16 | .551 | (14.00) | .637 | (16.19) | .183 | (4.65) | 79109-1007 | 79109-8407 | 79109-1057 | 79109-8457 | X | 79109-1107 | - |
| 18 | .630 | (16.00) | .716 | (18.19) | .183 | (4.65) | 79109-1008 | 79109-8408 | 79109-1058 | 79109-8458 | X | 79109-1108 | - |
| 20 | .709 | (18.00) | .795 | (20.19) | .183 | (4.65) | 79109-1009 | 79109-8409 | 79109-1059 | 79109-8459 | X | 79109-1109 | - |
| 22 | .787 | (20.00) | .874 | (22.19) | .183 | (4.65) | 79109-1010 | 79109-8410 | 79109-1060 | 79109-8460 | X | 79109-1110 | - |
| 24 | .866 | (22.00) | .952 | (24.19) | .183 | (4.65) | 79109-1011 | 79109-8411 | 79109-1061 | 79109-8461 | X | 79109-1111 | - |
| 26 | .945 | (24.00) | 1.031 | (26.19) | .183 | (4.65) | 79109-1012 | 79109-8412 | 79109-1062 | 79109-8462 | X | 79109-1112 | - |
| 28 | 1.024 | (26.00) | 1.110 | (28.19) | .183 | (4.65) | 79109-1013 | 79109-8413 | 79109-1063 | 79109-8463 | X | 79109-1113 | - |
| 30 | 1.102 | (28.00) | 1.188 | (30.19) | .183 | (4.65) | 79109-1014 | 79109-8414 | 79109-1064 | 79109-8464 | X | 79109-1114 | - |
| 32 | 1.181 | (30.00) | 1.267 | (32.19) | .183 | (4.65) | 79109-1015 | 79109-8415 | 79109-1065 | 79109-8465 | X | 79109-1115 | - |
| 34 | 1.260 | (32.00) | 1.346 | (34.19) | .183 | (4.65) | 79109-1016 | 79109-8416 | 79109-1066 | 79109-8466 | X | 79109-1116 | - |
| 36 | 1.338 | (34.00) | 1.425 | (36.19) | .183 | (4.65) | 79109-1017 | 79109-8417 | 79109-1067 | 79109-8467 | X | 79109-1117 | - |
| 38 | 1.417 | (36.00) | 1.504 | (38.19) | .183 | (4.65) | 79109-1018 | 79109-8418 | 79109-1068 | 79109-8468 | X | 79109-1118 | - |
| 40 | 1.496 | (38.00) | 1.582 | (40.19) | .183 | (4.65) | 79109-1019 | 79109-8419 | 79109-1069 | 79109-8469 | X | 79109-1119 | - |
| 42 | 1.575 | (40.00) | 1.661 | (42.19) | .183 | (4.65) | 79109-1020 | 79109-8420 | 79109-1070 | 79109-8470 | X | 79109-1120 | - |
| 44 | 1.654 | (42.00) | 1.740 | (44.19) | .183 | (4.65) | 79109-1021 | 79109-8421 | 79109-1071 | 79109-8471 | X | 79109-1121 | - |
| 46 | 1.732 | (44.00) | 1.818 | (46.19) | .183 | (4.65) | 79109-1022 | 79109-8422 | 79109-1072 | 79109-8472 | X | 79109-1122 | - |
| 48 | 1.811 | (46.00) | 1.897 | (48.19) | .183 | (4.65) | 79109-1023 | 79109-8423 | 79109-1073 | 79109-8473 | X | 79109-1123 | - |
| 50 | 1.890 | (48.00) | 1.976 | (50.19) | .183 | (4.65) | 79109-1024 | 79109-8424 | 79109-1074 | 79109-8474 | X | 79109-1124 | - |

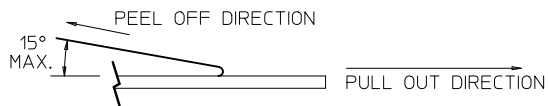
X INDICATES TOOLING NOT AVAILABLE

NOTES:

1. LEADER AND TRAILER TAPE



2. PEELING OFF FORCE OF THE TOP TAPE: 20-80gf. (PEELING DIRECTION AS SHOWN IN FOLLOWING FIGURE)



3. PACKAGING STANDARD IS AS PER EIA-481.

4. TAPE & REEL QUANTITY = 500 PCS/REEL

SPECIAL PACKAGING (TAPE PACKED WITHOUT CAP)

| CKT. SIZE | DIM. "A" | | DIM. "B" | | DIM. "D" | | ITEM NO. | PLATING OPTION SEE SHEET 1 |
|-----------|----------|---------|----------|---------|----------|--------|------------|----------------------------|
| | INCH | MM | INCH | MM | INCH | MM | | |
| 06 | .157 | (4.00) | .244 | (6.19) | .183 | (4.65) | 79109-9004 | 5 |
| 20 | .709 | (18.00) | .795 | (20.19) | .183 | (4.65) | 79109-9005 | 5 |
| 50 | 1.890 | (48.00) | 1.976 | (50.19) | .183 | (4.65) | 79109-9006 | 5 |
| 34 | 1.260 | (32.00) | 1.346 | (34.19) | .183 | (4.65) | 79109-9007 | 5 |

| | | | | | | | | | | | | | |
|--|--|---|--|--|--|---|--|--|--|------------------------|--|-------------------|--|
| REVISED EC NO: S2010-0566 DRWN:SKANG CHYD:ATSEE APPR:MLONG 2010/01/05 2010/02/03 2010/02/19 | QUALITY SYMBOLS $F_A=0$ $F_C=0$ $F_P=0$ | GENERAL TOLERANCES (UNLESS SPECIFIED) | | DIMENSION STYLE IN/MM | | SCALE NTS | | DESIGN UNITS INCH | | THIRD ANGLE PROJECTION | | | |
| | | 4 PLACES ± --- ± --- 3 PLACES ± --- ± .010 2 PLACES ± 0.25 ± .015 1 PLACE ± 0.38 ± --- | | DRAWN BY: AAB DATE: 1989/05/15 | | CHECKED BY: MJM DATE: 1989/05/15 | | APPROVED BY: MLONG DATE: 2010/02/18 | | MATERIAL NO. SEE TABLE | | SHEET NO. 2 OF 10 | |
| | | ANGULAR ± 3° | | DRAFT WHERE APPLICABLE MUST REMAIN WITHIN DIMENSIONS | | THIS DRAWING CONTAINS INFORMATION THAT IS PROPRIETARY TO MOLEX INCORPORATED AND SHOULD NOT BE USED WITHOUT WRITTEN PERMISSION | | MOLEX INCORPORATED | | SDA-79109-**** | | SHEET NO. 2 OF 10 | |
| | | M6 | | REV | | SIZE A3 | | MOLEX INCORPORATED | | SDA-79109-**** | | SHEET NO. 2 OF 10 | |

ASSEMBLIES WITHOUT PEGS

VOIDED CIRCUIT OPTION

| CKT. SIZE | ASSEMBLY (WITHOUT CAP IN TUBE) | VOID LOCATION(S) SEE SHEET 1 FOR CONVENTION | | PLATING OPTION | DIM. "A" | | DIM. "B" | | DIM. "D" | |
|-----------|-----------------------------------|--|-------------|----------------|----------|---------|----------|---------|----------|--------|
| | PART NUMBER | ROW | CKT. NO.(s) | | INCH | MM | INCH | MM | INCH | MM |
| 22 | 79109-5011 | A | 2 | 4 | .787 | (20.00) | .874 | (22.19) | .183 | (4.65) |
| 6 | 79109-5012 | A | 2 | 5 | .157 | (4.00) | .244 | (6.19) | .183 | (4.65) |

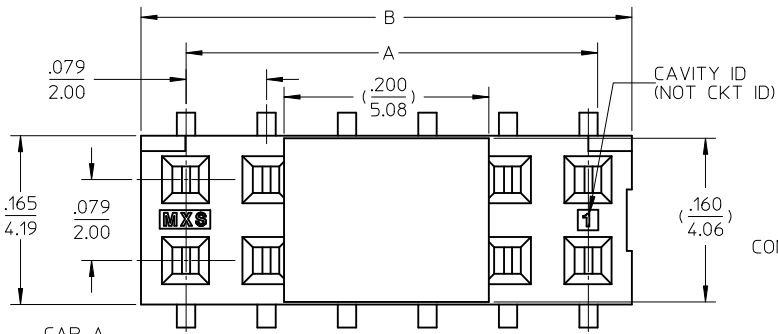
| CKT SIZE | ASSEMBLY (WITH CAP A IN T&R) | VOID LOCATION(S) SEE SHEET 1 FOR CONVENTION | | PLATING OPTION | DIM A | | DIM B | | DIM D | |
|----------|---------------------------------|--|---------|----------------|-------|---------|-------|---------|-------|--------|
| | PART NUMBER | ROW | CKT NO. | | INCH | MM | INCH | MM | INCH | MM |
| 50 | 79109-8924 | A | 13, 23 | 5 | 1.890 | (48.00) | 1.976 | (50.19) | .183 | (4.65) |
| | | B | 23 | | | | | | | |

NOTES:

1. TERMINALS WILL BE PRESENT IN VOIDED LOCATIONS. HOWEVER, PIN WINDOWS WILL BE CLOSED.
2. VOIDS CAN ONLY BE PRESENT IN ONE ROW OF A CONNECTOR.

| | | | | | | | | | |
|--|-----------------|--|-----------------------|--------------------------|---|---------------------------------------|----------------------|------------------------|--|
| REVISED EC NO: S2010-0566 DRWN:SKANG CHKD:ATSEE APPR:MLONG 2010/01/05 2010/02/03 2010/02/19 | QUALITY SYMBOLS | GENERAL TOLERANCES (UNLESS SPECIFIED) | | DIMENSION STYLE IN/MM | | SCALE NTS | DESIGN UNITS INCH | THIRD ANGLE PROJECTION | |
| | $F_A=0$ | mm | INCH | DRAWN BY | DATE | TITLE | | | |
| | $F_G=0$ | 4 PLACES ± --- ± --- | 3 PLACES ± --- ± .010 | AAB | 1989/05/15 | 2MM DUAL ROW VERTICAL RECEPTACLE, SMT | | | |
| | $F_P=0$ | 2 PLACES ± 0.25 ± .015 | 1 PLACE ± 0.38 ± --- | MJM | 1989/05/15 | MOLEX INCORPORATED | | | |
| | ANGULAR ± 3 ° | DRAFT WHERE APPLICABLE MUST REMAIN WITHIN DIMENSIONS | | APPROVED BY | DATE | DOCUMENT NO. | | SHEET NO. | |
| | | | | MLONG | 2010/02/18 | SDA-79109-**** | | 3 OF 10 | |
| | | | | MATERIAL NO. | SEE TABLE | | | | |
| | | | | SIZE | THIS DRAWING CONTAINS INFORMATION THAT IS PROPRIETARY TO MOLEX INCORPORATED AND SHOULD NOT BE USED WITHOUT WRITTEN PERMISSION | | | | |
| | | | | A3 | | | | | |

PEG OPTION



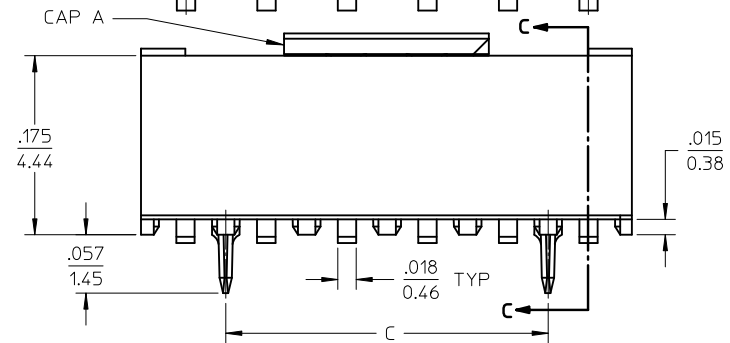
CONNECTOR WITH CAP

PLATING OPTION:

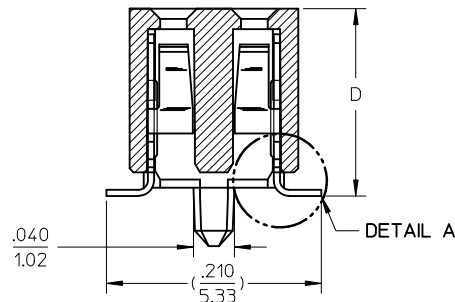
- (4) 30uIn (0.75um) MIN. GOLD PLATE IN SELECTED AREA AND 75uIn (1.88um) MIN. TIN IN SELECTED AREA OVER 50uIn (1.25um) MIN. NICKEL OVER-ALL.
- (5) 15uIn (0.38um) MIN. GOLD PLATE IN SELECTED AREA AND 75uIn (1.88um) MIN. TIN IN SELECTED AREA OVER 50uIn (1.25um) MIN. NICKEL OVER-ALL.
- (6) 5uIn (0.13um) MIN. GOLD PLATE IN SELECTED AREA AND 75uIn (1.88um) MIN. TIN IN SELECTED AREA OVER 50uIn (1.25um) MIN. NICKEL OVER-ALL.

NOTES:

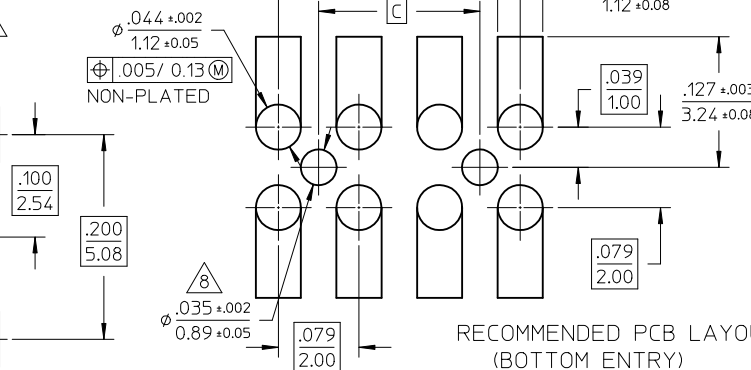
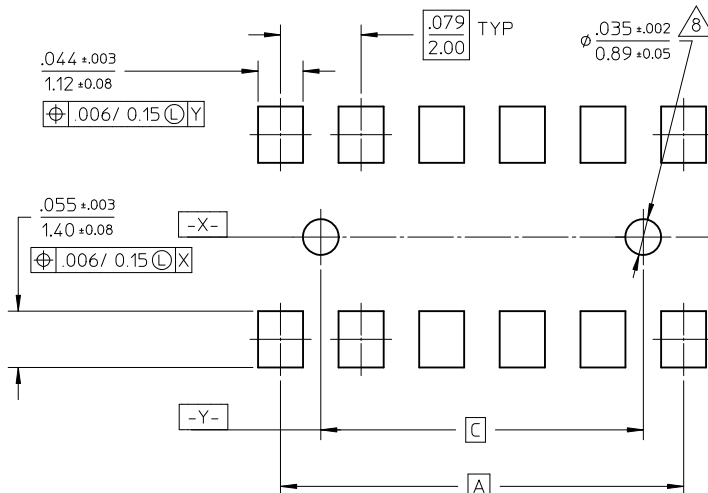
- 1 - HOUSING MATERIAL: GLASS FILLED HIGH TEMP. THERMOPLASTIC. COLOR: BLACK.
- 2 - TERMINAL MATERIAL: PHOSPHOR BRONZE
- 3 - SEE APPROPRIATE SHEET FOR CIRCUIT SIZE, PART NUMBERS AND OVER-ALL DIMENSIONS.
- 4 - FOR ILLUSTRATION, 6&12 CIRCUIT ASSEMBLY SHOWN.
- 5 - REFER TO PRODUCT SPECIFICATION PS-79107.
- 6 - TUBE PACKAGING PER PK-70873-0217 OR TAPE PACKAGING PER PK-70873-0259.
- 7 - SEE PSX-79107 FOR SUGGESTED BOTTOM ENTRY PIN LENGTHS.
- 8 - .035 DIA. FOR PRESS FIT ONLY. USE .039±.002 FOR ALIGNMENT PURPOSES ON PICK AND PLACE.
- 9 - MEASUREMENT IS TAKEN BETWEEN THE TANGENT OF THE TOE TO TIP OF THE TERMINAL.



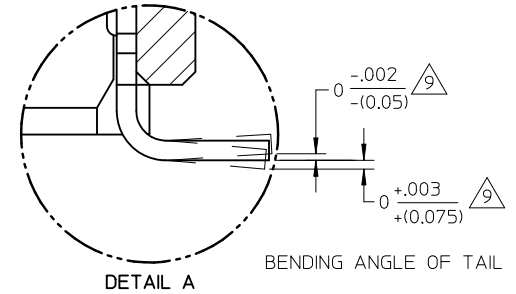
SECTION C-C



DETAIL A



RECOMMENDED PCB LAYOUT (BOTTOM ENTRY)



BENDING ANGLE OF TAIL

RECOMMENDED PCB LAYOUT

| | | | | | | |
|--|--|---|--|--|--|--|
| REVISED EC NO: S2010-0566 DRWN:SKANG CHKD:ATSEE APPR:MLONG 2010/01/05 2010/02/03 2010/02/19 | QUALITY SYMBOLS $F_A=0$ $F_C=0$ $F_P=0$ | GENERAL TOLERANCES (UNLESS SPECIFIED) mm INCH 4 PLACES ± --- ± --- 3 PLACES ± --- ± .010 2 PLACES ± 0.25 ± .015 1 PLACE ± 0.38 ± --- ANGULAR ± 3 ° | DIMENSION STYLE IN/MM DRAWN BY DATE AAB 1989/05/15 CHECKED BY DATE MJM 1989/05/15 APPROVED BY DATE MLONG 2010/02/18 | SCALE NTS DESIGN UNITS INCH THIRD ANGLE PROJECTION | TITLE 2MM DUAL ROW VERTICAL RECEPTACLE, SMT MOLEX INCORPORATED DOCUMENT NO. SDA-79109-**** SHEET NO. 4 OF 10 | |
| | DRAFT WHERE APPLICABLE MUST REMAIN WITHIN DIMENSIONS | SEE TABLE | MATERIAL NO. SIZE A3 THIS DRAWING CONTAINS INFORMATION THAT IS PROPRIETARY TO MOLEX INCORPORATED AND SHOULD NOT BE USED WITHOUT WRITTEN PERMISSION | | | |
| | M6 | REV | | | | |
| | | | | | | |

PEG OPTION

| CKT. SIZE | DIM. "A" | | DIM. "B" | | DIM. "C" | | DIM. "D" | | PLATING OPTION 5 | | PLATING OPTION 4 | | PLATING OPTION 6 | | |
|-----------|----------|---------|----------|---------|----------|---------|----------|--------|------------------------------------|-----------------------------------|------------------------------------|-----------------------------------|------------------------------------|-----------------------------------|---|
| | INCH | MM | INCH | MM | INCH | MM | INCH | MM | ITEM NO. TUBE PACKED (WITHOUT CAP) | ITEM NO. TAPE PACKED (WITH CAP A) | ITEM NO. TUBE PACKED (WITHOUT CAP) | ITEM NO. TAPE PACKED (WITH CAP A) | ITEM NO. TUBE PACKED (WITHOUT CAP) | ITEM NO. TAPE PACKED (WITH CAP A) | |
| 04 | .079 | (2.00) | .165 | (4.19) | - | - | .183 | (4.65) | 79109-1201 | 79109-8601 | 79109-1251 | 79109-8651 | X | 79109-1301 | - |
| 06 | .157 | (4.00) | .244 | (6.19) | .079 | (2.00) | .183 | (4.65) | 79109-1202 | 79109-8602 | 79109-1252 | 79109-8652 | X | 79109-1302 | - |
| 08 | .236 | (6.00) | .322 | (8.19) | .157 | (4.00) | .183 | (4.65) | 79109-1203 | 79109-8603 | 79109-1253 | 79109-8653 | X | 79109-1303 | - |
| 10 | .315 | (8.00) | .401 | (10.19) | .236 | (6.00) | .183 | (4.65) | 79109-1204 | 79109-8604 | 79109-1254 | 79109-8654 | X | 79109-1304 | - |
| 12 | .394 | (10.00) | .480 | (12.19) | .315 | (8.00) | .183 | (4.65) | 79109-1205 | 79109-8605 | 79109-1255 | 79109-8655 | X | 79109-1305 | - |
| 14 | .472 | (12.00) | .559 | (14.19) | .394 | (10.00) | .183 | (4.65) | 79109-1206 | 79109-8606 | 79109-1256 | 79109-8656 | X | 79109-1306 | - |
| 16 | .551 | (14.00) | .637 | (16.19) | .472 | (12.00) | .183 | (4.65) | 79109-1207 | 79109-8607 | 79109-1257 | 79109-8657 | X | 79109-1307 | - |
| 18 | .630 | (16.00) | .716 | (18.19) | .551 | (14.00) | .183 | (4.65) | 79109-1208 | 79109-8608 | 79109-1258 | 79109-8658 | X | 79109-1308 | - |
| 20 | .709 | (18.00) | .795 | (20.19) | .630 | (16.00) | .183 | (4.65) | 79109-1209 | 79109-8609 | 79109-1259 | 79109-8659 | X | 79109-1309 | - |
| 22 | .787 | (20.00) | .874 | (22.19) | .709 | (18.00) | .183 | (4.65) | 79109-1210 | 79109-8610 | 79109-1260 | 79109-8660 | X | 79109-1310 | - |
| 24 | .866 | (22.00) | .952 | (24.19) | .787 | (20.00) | .183 | (4.65) | 79109-1211 | 79109-8611 | 79109-1261 | 79109-8661 | X | 79109-1311 | - |
| 26 | .945 | (24.00) | 1.031 | (26.19) | .866 | (22.00) | .183 | (4.65) | 79109-1212 | 79109-8612 | 79109-1262 | 79109-8662 | X | 79109-1312 | - |
| 28 | 1.024 | (26.00) | 1.110 | (28.19) | .945 | (24.00) | .183 | (4.65) | 79109-1213 | 79109-8613 | 79109-1263 | 79109-8663 | X | 79109-1313 | - |
| 30 | 1.102 | (28.00) | 1.188 | (30.19) | 1.024 | (26.00) | .183 | (4.65) | 79109-1214 | 79109-8614 | 79109-1264 | 79109-8664 | X | 79109-1314 | - |
| 32 | 1.181 | (30.00) | 1.267 | (32.19) | 1.102 | (28.00) | .183 | (4.65) | 79109-1215 | 79109-8615 | 79109-1265 | 79109-8665 | X | 79109-1315 | - |
| 34 | 1.260 | (32.00) | 1.346 | (34.19) | 1.181 | (30.00) | .183 | (4.65) | 79109-1216 | 79109-8616 | 79109-1266 | 79109-8666 | X | 79109-1316 | - |
| 36 | 1.338 | (34.00) | 1.425 | (36.19) | 1.260 | (32.00) | .183 | (4.65) | 79109-1217 | 79109-8617 | 79109-1267 | 79109-8667 | X | 79109-1317 | - |
| 38 | 1.417 | (36.00) | 1.504 | (38.19) | 1.338 | (34.00) | .183 | (4.65) | 79109-1218 | 79109-8618 | 79109-1268 | 79109-8668 | X | 79109-1318 | - |
| 40 | 1.496 | (38.00) | 1.582 | (40.19) | 1.417 | (36.00) | .183 | (4.65) | 79109-1219 | 79109-8619 | 79109-1269 | 79109-8669 | X | 79109-1319 | - |
| 42 | 1.575 | (40.00) | 1.661 | (42.19) | 1.496 | (38.00) | .183 | (4.65) | 79109-1220 | 79109-8620 | 79109-1270 | 79109-8670 | X | 79109-1320 | - |
| 44 | 1.654 | (42.00) | 1.740 | (44.19) | 1.575 | (40.00) | .183 | (4.65) | 79109-1221 | 79109-8621 | 79109-1271 | 79109-8671 | X | 79109-1321 | - |
| 46 | 1.732 | (44.00) | 1.818 | (46.19) | 1.654 | (42.00) | .183 | (4.65) | 79109-1222 | 79109-8622 | 79109-1272 | 79109-8672 | X | 79109-1322 | - |
| 48 | 1.811 | (46.00) | 1.897 | (48.19) | 1.732 | (44.00) | .183 | (4.65) | 79109-1223 | 79109-8623 | 79109-1273 | 79109-8673 | X | 79109-1323 | - |
| 50 | 1.890 | (48.00) | 1.976 | (50.19) | 1.811 | (46.00) | .183 | (4.65) | 79109-1224 | 79109-8624 | 79109-1274 | 79109-8674 | X | 79109-1324 | - |

*X INDICATES TOOLING NOT AVAILABLE

| | | | | | | | |
|--|--|---|------------------------------------|---|-----------------------------|--------------------------------|--|
| REVISED EC NO: S2010-0566 DRWN:SKANG CHKD:ATSEE APPR:MLONG 2010/01/05 2010/02/03 2010/02/19 | QUALITY SYMBOLS | GENERAL TOLERANCES (UNLESS SPECIFIED) | DIMENSION STYLE | SCALE | DESIGN UNITS | THIRD ANGLE PROJECTION | |
| | $F_A=0$ $F_C=0$ $F_P=0$ | mm INCH 4 PLACES ± --- ± --- 3 PLACES ± --- ± .010 2 PLACES ± 0.25 ± .015 1 PLACE ± 0.38 ± --- ANGULAR ± 3 ° | IN/MM | NTS DATE 1989/05/15 | INCH | TITLE | 2MM DUAL ROW VERTICAL RECEPTACLE, SMT |
| | DRAFT WHERE APPLICABLE MUST REMAIN WITHIN DIMENSIONS | CHECKED BY DATE MJM 1989/05/15 | DRAWN BY DATE AAB 1989/05/15 | APPROVED BY DATE MLONG 2010/02/18 | MOLEX MOLEX INCORPORATED | DOCUMENT NO. SDA-79109-**** | SHEET NO. 5 OF 10 |
| | SIZE A3 THIS DRAWING CONTAINS INFORMATION THAT IS PROPRIETARY TO MOLEX INCORPORATED AND SHOULD NOT BE USED WITHOUT WRITTEN PERMISSION | | | | | | |

PEG OPTION

SPECIAL PACKAGING (TAPE PACKED WITHOUT CAP)

| CKT. SIZE | DIM. "A" | | DIM. "B" | | DIM. "C" | | DIM. "D" | | ITEM NO. | PLATING OPTION SEE SHEET 1 |
|-----------|----------|---------|----------|---------|----------|---------|----------|--------|------------|-------------------------------|
| | INCH | MM | INCH | MM | INCH | MM | INCH | MM | | |
| 50 | 1.890 | (48.00) | 1.976 | (50.19) | 1.811 | (46.00) | .183 | (4.65) | 79109-9103 | 5 |

| | | | | | |
|---|--|--|--|---|--|
| REVISED EC NO: S2010-0566 2010/01/05 DRWN:SKANG 2010/02/03 CHKD:ATSEE 2010/02/19 APPR:MLONG | QUALITY SYMBOLS $F_A=0$ $F_C=0$ $F_P=0$ | GENERAL TOLERANCES (UNLESS SPECIFIED) mm INCH 4 PLACES \pm --- \pm --- 3 PLACES \pm --- \pm .010 2 PLACES \pm 0.25 \pm .015 1 PLACE \pm 0.38 \pm --- ANGULAR \pm 3 ° | DIMENSION STYLE IN/MM DRAWN BY DATE AAB 1989/05/15 CHECKED BY DATE MJM 1989/05/15 APPROVED BY DATE MLONG 2010/02/18 | SCALE NTS DESIGN UNITS INCH THIRD ANGLE PROJECTION | TITLE 2MM DUAL ROW VERTICAL RECEPTACLE, SMT MOLEX INCORPORATED DOCUMENT NO. SDA-79109-**** SHEET NO. 6 OF 10 |
| | DRAFT WHERE APPLICABLE MUST REMAIN WITHIN DIMENSIONS | SEE TABLE | MATERIAL NO. | THIS DRAWING CONTAINS INFORMATION THAT IS PROPRIETARY TO MOLEX INCORPORATED AND SHOULD NOT BE USED WITHOUT WRITTEN PERMISSION | |
| | M6 | REV | SIZE A3 | THIS DRAWING CONTAINS INFORMATION THAT IS PROPRIETARY TO MOLEX INCORPORATED AND SHOULD NOT BE USED WITHOUT WRITTEN PERMISSION | |
| | | | | | |

ASSEMBLIES WITH PEGS VOIDED CIRCUIT OPTION

| CKT. SIZE | ASSEMBLY (WITHOUT CAP IN TUBE) | VOID LOCATION(S) SEE SHEET 1 FOR CONVENTION | | PLATING OPTION | DIM. "A" | | DIM. "B" | | DIM. "C" | | DIM. "D" | |
|-----------|-----------------------------------|--|-------------|----------------|----------|---------|----------|---------|----------|---------|----------|--------|
| | ITEM NO. | ROW | CKT. NO.(s) | | INCH | MM | INCH | MM | INCH | MM | INCH | MM |
| 48 | 79109-6011 | ROW A | 1, 24 | 5 | 1.811 | (46.00) | 1.897 | (48.19) | 1.732 | (44.00) | .183 | (4.65) |
| 44 | 79109-6012 | ROW B | 10 | 5 | 1.654 | (42.00) | 1.740 | (44.19) | 1.575 | (42.00) | .183 | (4.65) |

NOTES:

1. TERMINALS WILL BE PRESENT IN VOIDED LOCATIONS. HOWEVER, PIN WINDOWS WILL BE CLOSED.
2. VOIDS CAN ONLY BE PRESENT IN ONE ROW OF A CONNECTOR.

| | | | | | | | | | |
|--|--|--------------------|--|--|--------------------------|--------------------|---|------------------------|--|
| REVISED EC NO: S2010-0566 DRWN:SKANG CHKD:ATSEE APPR:MLONG | 2010/01/05 2010/02/03 2010/02/19 | DESCRIPTION REV | QUALITY SYMBOLS $F_A=0$ $F_C=0$ $F_P=0$ | GENERAL TOLERANCES (UNLESS SPECIFIED) | DIMENSION STYLE IN/MM | SCALE NTS | DESIGN UNITS INCH | THIRD ANGLE PROJECTION | |
| | | | DRAFT WHERE APPLICABLE MUST REMAIN WITHIN DIMENSIONS | 4 PLACES ± --- ± --- 3 PLACES ± --- ± .010 2 PLACES ± 0.25 ± .015 1 PLACE ± 0.38 ± --- ANGULAR ± 3 ° | DRAWN BY AAB | DATE 1989/05/15 | TITLE 2MM DUAL ROW VERTICAL RECEPTACLE, SMT | | |
| | | | MATERIAL NO. SEE TABLE | APPROVED BY MLONG | DATE 2010/02/18 | MOLEX INCORPORATED | | | |
| | | | SIZE A3 | THIS DRAWING CONTAINS INFORMATION THAT IS PROPRIETARY TO MOLEX INCORPORATED AND SHOULD NOT BE USED WITHOUT WRITTEN PERMISSION | | | DOCUMENT NO. SDA-79109-**** | SHEET NO. 7 OF 10 | |

SPECIAL - CUSTOM TERMINAL FEET

PEG OPTION

| CKT. SIZE | DIM. "A" | | DIM. "B" | | DIM. "C" | | DIM. "D" | | PLATING OPTION 5 | | | |
|-----------|----------|---------|----------|---------|----------|---------|----------|--------|------------------------------------|-----------------------------------|-----------------------------------|--------------|
| | INCH | MM | INCH | MM | INCH | MM | INCH | MM | ITEM NO. TUBE PACKED (WITHOUT CAP) | ITEM NO. TAPE PACKED (WITH CAP A) | ITEM NO. TUBE PACKED (WITH CAP A) | |
| 04 | .079 | (2.00) | .165 | (4.19) | - | - | .185 | (4.70) | X | - | X 79109-8751 | X - |
| 06 | .157 | (4.00) | .244 | (6.19) | .079 | (2.00) | .185 | (4.70) | X | - | X 79109-8752 | X - |
| 08 | .236 | (6.00) | .322 | (8.19) | .157 | (4.00) | .185 | (4.70) | X | - | X 79109-8753 | X - |
| 10 | .315 | (8.00) | .401 | (10.19) | .236 | (6.00) | .185 | (4.70) | X | - | X 79109-8754 | X - |
| 12 | .394 | (10.00) | .480 | (12.19) | .315 | (8.00) | .185 | (4.70) | X | - | X 79109-8755 | X - |
| 14 | .472 | (12.00) | .559 | (14.19) | .394 | (10.00) | .185 | (4.70) | X | - | X 79109-8756 | X - |
| 16 | .551 | (14.00) | .637 | (16.19) | .472 | (12.00) | .185 | (4.70) | X | - | X 79109-8757 | X - |
| 18 | .630 | (16.00) | .716 | (18.19) | .551 | (14.00) | .185 | (4.70) | X | - | X 79109-8758 | X - |
| 20 | .709 | (18.00) | .795 | (20.19) | .630 | (16.00) | .185 | (4.70) | X | - | X 79109-8759 | X - |
| 22 | .787 | (20.00) | .874 | (22.19) | .709 | (18.00) | .185 | (4.70) | X | - | X 79109-8760 | X - |
| 24 | .866 | (22.00) | .952 | (24.19) | .787 | (20.00) | .185 | (4.70) | X | - | X 79109-8761 | X - |
| 26 | .945 | (24.00) | 1.031 | (26.19) | .866 | (22.00) | .185 | (4.70) | X | - | X 79109-8762 | X - |
| 28 | 1.024 | (26.00) | 1.110 | (28.19) | .945 | (24.00) | .185 | (4.70) | X | - | X 79109-8763 | X - |
| 30 | 1.102 | (28.00) | 1.188 | (30.19) | 1.024 | (26.00) | .185 | (4.70) | | 79109-7010 | 79109-8764 | X 79109-7065 |
| 32 | 1.181 | (30.00) | 1.267 | (32.19) | 1.102 | (28.00) | .185 | (4.70) | X | - | X 79109-8765 | X - |
| 34 | 1.260 | (32.00) | 1.346 | (34.19) | 1.181 | (30.00) | .185 | (4.70) | X | - | X 79109-8766 | X - |
| 36 | 1.338 | (34.00) | 1.425 | (36.19) | 1.260 | (32.00) | .185 | (4.70) | X | - | X 79109-8767 | X - |
| 38 | 1.417 | (36.00) | 1.504 | (38.19) | 1.338 | (34.00) | .185 | (4.70) | X | - | X 79109-8768 | X - |
| 40 | 1.496 | (38.00) | 1.582 | (40.19) | 1.417 | (36.00) | .185 | (4.70) | X | - | X 79109-8769 | X - |
| 42 | 1.575 | (40.00) | 1.661 | (42.19) | 1.496 | (38.00) | .185 | (4.70) | X | - | X N.A. | X - |
| 44 | 1.654 | (42.00) | 1.740 | (44.19) | 1.575 | (40.00) | .185 | (4.70) | | 79109-7016 | X N.A. | X - |
| 46 | 1.732 | (44.00) | 1.818 | (46.19) | 1.654 | (42.00) | .185 | (4.70) | X | - | X N.A. | X - |
| 48 | 1.811 | (46.00) | 1.897 | (48.19) | 1.732 | (44.00) | .185 | (4.70) | X | - | X N.A. | X - |
| 50 | 1.890 | (48.00) | 1.976 | (50.19) | 1.811 | (46.00) | .185 | (4.70) | | 79109-7015 | X N.A. | X - |

X INDICATES TOOLING NOT AVAILABLE

| | | | | | | | |
|--|-------------------------------|---|-----------------|---|--------------|------------------------|---|
| REVISED EC NO: S2010-0566 DRWN:SKANG CHKD:ATSEE APPR:MLONG 2010/01/05 2010/02/03 2010/02/19 | QUALITY SYMBOLS | GENERAL TOLERANCES (UNLESS SPECIFIED) | DIMENSION STYLE | SCALE | DESIGN UNITS | THIRD ANGLE PROJECTION | |
| | $F_A=0$ $F_C=0$ $F_P=0$ | mm INCH 4 PLACES ± --- ± --- 3 PLACES ± --- ± .010 2 PLACES ± 0.25 ± .015 1 PLACE ± 0.38 ± --- ANGULAR ± 3 ° | IN/MM | DRAWN BY DATE AAB 1989/05/15 CHECKED BY DATE MJM 1989/05/15 APPROVED BY DATE MLONG 2010/02/18 | NTS | INCH | TITLE 2MM DUAL ROW VERTICAL RECEPTACLE, SMT |
| | M6 | DRAFT WHERE APPLICABLE MUST REMAIN WITHIN DIMENSIONS | SEE TABLE | MATERIAL NO. MOLEX INCORPORATED SDA-79109-**** | | | SHEET NO. 8 OF 10 |
| | | | | SIZE A3 THIS DRAWING CONTAINS INFORMATION THAT IS PROPRIETARY TO MOLEX INCORPORATED AND SHOULD NOT BE USED WITHOUT WRITTEN PERMISSION | | | |

SPECIAL - CUSTOM TERMINAL FEET
VOIDED CIRCUIT OPTION

| CKT. SIZE | ASSEMBLY | | VOID LOCATION(S) SEE SHEET 1 FOR CONVENTION | | PLATING OPTION | DIM. "A" | | DIM. "B" | | DIM. "C" | | DIM. "D" | | PEG OPTION |
|-----------|--|---|--|-------------|----------------|---------------|---------------|---------------|-------------|----------|----|----------|----|------------|
| | ITEM NO. TUBE PACKED (WITHOUT CAP) | ITEM NO. TAPE PACKED (WITH CAP A) | ROW | CKT. NO.(s) | | INCH | MM | INCH | MM | INCH | MM | INCH | MM | |
| | | | | | | | | | | | | | | |
| 48 | 79109-7011 | X 79109-8385 | ROW A | 1, 24 | 5 | 1.811 (46.00) | 1.897 (48.19) | 1.732 (44.00) | .185 (4.70) | YES | | | | |
| 42 | 79109-7012 | X 79109-8386 | ROW A | 1, 21 | 5 | 1.575 (40.00) | 1.661 (42.19) | 1.496 (38.00) | .185 (4.70) | YES | | | | |
| 20 | 79109-7013 | 79109-8387 | ROW A | 1, 10 | 5 | .709 (18.00) | .795 (20.19) | .630 (16.00) | .185 (4.70) | YES | | | | |
| 50 | 79109-7014 | X 79109-8388 | ROW B | 13 | 5 | 1.890 (48.00) | 1.976 (50.19) | 1.811 (46.00) | .185 (4.70) | YES | | | | |
| 50 | 79109-7017 | 79109-8988 | ROW B | 13 | 5 | 1.890 (48.00) | 1.976 (50.19) | 1.811 (46.00) | .185 (4.70) | NO | | | | |

X INDICATES TOOLING IS NOT AVAILABLE

NOTES:

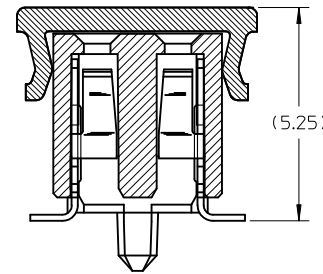
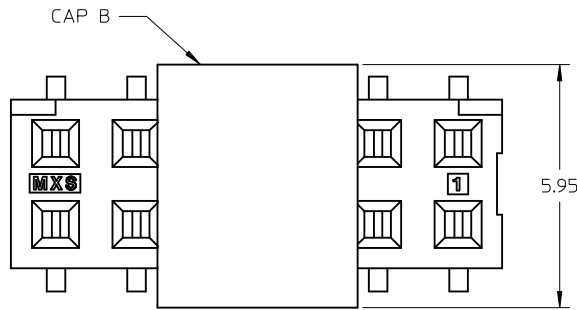
1. TERMINALS WILL BE PRESENT IN VOIDED LOCATIONS. HOWEVER, PIN WINDOWS WILL BE CLOSED.
2. VOIDS CAN ONLY BE PRESENT IN ONE ROW OF A CONNECTOR.

| | | | | | | |
|--|--|--|--------------------|---------------------------------------|--------------|------------------------|
| REVISED EC NO: S2010-0566 DRWN:SKANG CHKD:ATSEE APPR:MLONG 2010/01/05 2010/02/03 2010/02/19 | QUALITY SYMBOLS | GENERAL TOLERANCES (UNLESS SPECIFIED) | DIMENSION STYLE | SCALE | DESIGN UNITS | THIRD ANGLE PROJECTION |
| | $F_A=0$ $F_C=0$ $F_P=0$ | mm INCH 4 PLACES ± --- ± --- 3 PLACES ± --- ± .010 2 PLACES ± 0.25 ± .015 1 PLACE ± 0.38 ± --- ANGULAR ± 3 ° | IN/MM | NTS | INCH | |
| | DESCRIPTION | DRAWN BY | DATE | TITLE | | |
| | M6 DRAFT WHERE APPLICABLE MUST REMAIN WITHIN DIMENSIONS | AAB | 1989/05/15 | 2MM DUAL ROW VERTICAL RECEPTACLE, SMT | | |
| | CHECKED BY | DATE | MOLEX INCORPORATED | | | |
| | APPROVED BY | DATE | SDA-79109-**** | | | |
| | MATERIAL NO. | DOCUMENT NO. | SHEET NO. | | | |
| | SEE TABLE | | 9 OF 10 | | | |
| | SIZE | THIS DRAWING CONTAINS INFORMATION THAT IS PROPRIETARY TO MOLEX INCORPORATED AND SHOULD NOT BE USED WITHOUT WRITTEN PERMISSION | | | | |
| | A3 | | | | | |

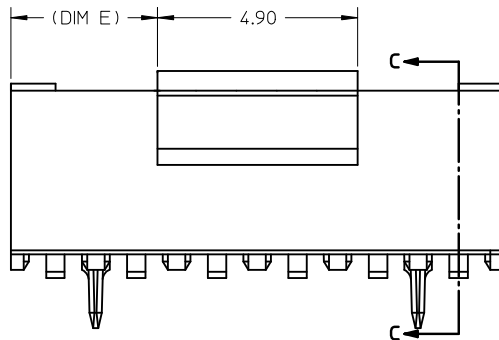
SPECIAL - ASSEMBLIES WITH CAP B (TAPE PACKED WITH CAP)

PEG OPTION

| CKT. SIZE | DIM. "A" | | DIM. "B" | | DIM. "C" | | DIM. "D" | | DIM. "E" | | ITEM NO. | PLATING OPTION SEE SHEET 1 |
|-----------|----------|---------|----------|---------|----------|---------|----------|--------|----------|--------|------------|-------------------------------|
| | INCH | MM | INCH | MM | INCH | MM | INCH | MM | INCH | MM | | |
| 8 | .236 | (6.00) | .322 | (8.19) | .157 | (4.00) | .183 | (4.65) | .065 | (1.65) | 79109-9108 | 4 |
| 18 | .630 | (16.00) | .716 | (18.19) | .551 | (14.00) | .183 | (4.65) | .262 | (6.65) | 79109-9118 | 4 |



SECTION C-C



| | | | | | |
|---|---|--|--|--|---|
| REVISED EC NO: S2010-0566 DRWN:SKANG CHKD:ATSEE APPR:MLONG 2010/01/05 2010/02/03 2010/02/19 | QUALITY SYMBOLS $F_A=0$ $F_C=0$ $F_P=0$ | GENERAL TOLERANCES (UNLESS SPECIFIED) mm INCH 4 PLACES ± --- ± --- 3 PLACES ± --- ± .010 2 PLACES ± 0.25 ± .015 1 PLACE ± 0.38 ± --- ANGULAR ± 3 ° | DIMENSION STYLE IN/MM DRAWN BY DATE AAB 1989/05/15 CHECKED BY DATE MJM 1989/05/15 APPROVED BY DATE MLONG 2010/02/18 | SCALE NTS DESIGN UNITS INCH THIRD ANGLE PROJECTION | TITLE 2MM DUAL ROW VERTICAL RECEPTACLE, SMT |
| | M6 | DRAFT WHERE APPLICABLE MUST REMAIN WITHIN DIMENSIONS | MATERIAL NO. SEE TABLE | MOLEX INCORPORATED DOCUMENT NO. SDA-79109-**** | SHEET NO. 10 OF 10 |
| | THIS DRAWING CONTAINS INFORMATION THAT IS PROPRIETARY TO MOLEX INCORPORATED AND SHOULD NOT BE USED WITHOUT WRITTEN PERMISSION | | | | |
| | SIZE A3 | | | | |