

# 2.00mm (0.079") PITCH CONNECTOR

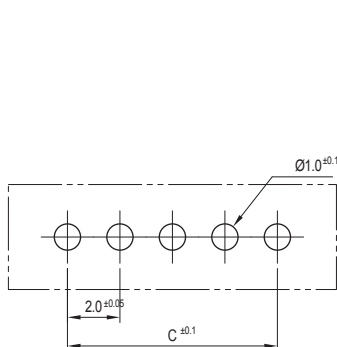
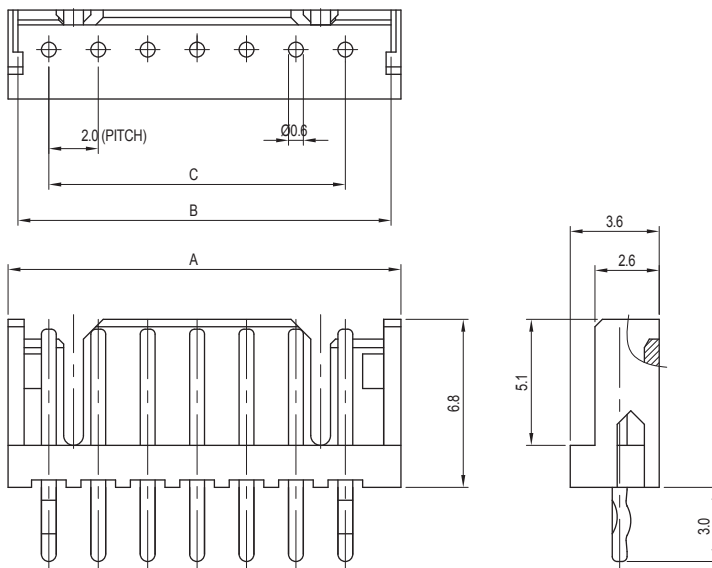
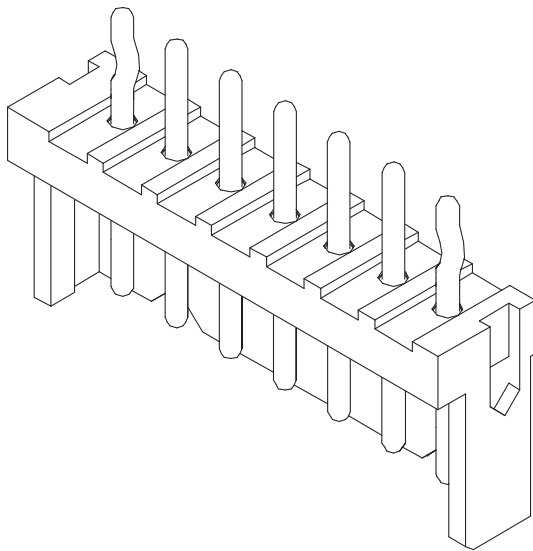


Wire-to-Board  
Wafer

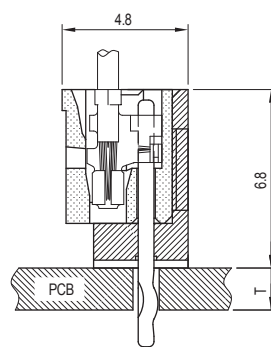
**YW200 Series**

**DIP**

**Straight**



PCB LAYOUT



PCB ASS'Y

## Material

I/NO	DESCRIPTION	TITLE	MATERIAL
1	WAFER	YW200	PA66, UL 94V Grade
2	PIN		Brass, Tin plated

## Available Pin

PARTS NO.	A	B	C
YW200-02	5.9	5.1	2.0
YW200-03	7.9	7.1	4.0
YW200-04	9.9	9.1	6.0
YW200-05	11.9	11.1	8.0
YW200-06	13.9	13.1	10.0
YW200-07	15.9	15.1	12.0
YW200-08	17.9	17.1	14.0
YW200-09	19.9	19.1	16.0
YW200-10	21.9	21.1	18.0
YW200-11	23.9	23.1	20.0
YW200-12	25.9	25.1	22.0
YW200-13	27.9	27.1	24.0
YW200-14	29.9	29.1	26.0
YW200-15	31.9	31.1	28.0

## Specification

ITEM	SPEC
Voltage Rating	AC/DC 125V
Current Rating	AC/DC 3A
Operating Temperature	-25°C~+85°C
Contact Resistance	30mΩ MAX
Withstanding Voltage	AC1000V/1min
Insulation Resistance	1000MΩ MIN
Applicable Wire	-
Applicable P.C.B	1.2~1.6mm
Applicable FPC/FFC	-
Solder Height	-
Crimp Tensile Strength	-
UL FILE NO	E108706