

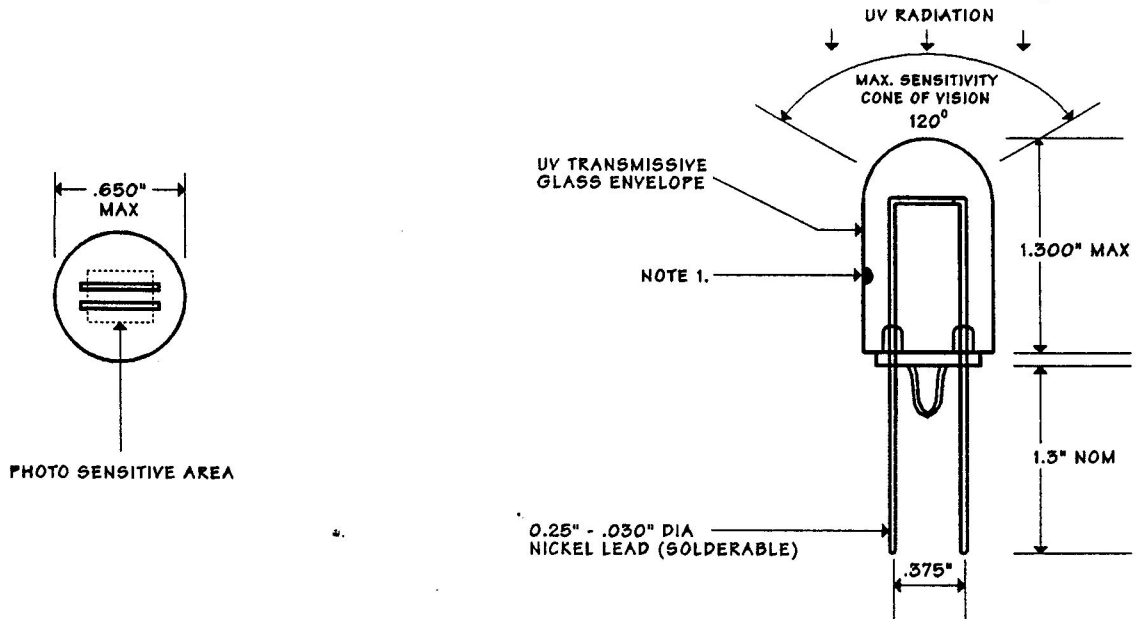
# MAIER ELECTRONICS INC.

## ELECTRON TUBE, SENSOR DIVISION

# U.V. DETECTOR TUBE

## PX 334 Hamamatsu

### Replacement for Type R-334



NOTE 1. FOR THE DC OPERATION OF THE TUBE, THE LEAD CLOSE TO THE BLACK DOT ON THE BODY SHOULD BE NEGATIVE (CATHODE).

#### Typical Characteristics:

Spectral response:	<b>PX334</b>
Wavelength of maximum response:	~ 180 to 250 nm
Tube Voltage Drop:	210 ± 10 nm
Sensitivity: Pulses or counts when	205 ± 10 Volts
- Tube is operated on 350 Vrms and	
- Tube is exposed to a standard candle	120 Counts
1 inch dia. at a distance of 12 inches.	
Background Noise Response: At average room light intensity	
- Tube exposed to 100 Watt incand. bulb	< 10 Counts/Min.
powered at 90 VAC from a distance of 12 inches.	
- Tube heated to 100° C exposed to 100 Watt incand.	< 10 Counts/Min.
bulb powered at 90 VAC from a distance of 12 inches.	
- Tube operating at 400 VDC:	< 20 counts/Min.

#### Operating Characteristics:

Operating voltage: minimum:	400 Vrms
standard:	575 Vrms
maximum:	750 Vrms
Photo cathode current: normal:	1 mA
maximum:	2 mA
Ambient temperature:	- 20° C to +100° C

#### Average Life:

10,000 hours at 1 mA operating current and 100° C.

#### Measuring Circuit used for Data:

