

PLEASE CHECK WWW.MOLEX.COM FOR LATEST PART INFORMATION

Part Number: [0398800403](#)
Status: **Active**
Description: 5.08mm (.200") Pitch Beau™ Eurostyle™ Low Profile, Fixed Block, 35° Wire Entry, Modular, 3 Circuits

Documents:

[3D Model](#) [RoHS Certificate of Compliance \(PDF\)](#)
[Drawing \(PDF\)](#)

General

Product Family	Terminal Blocks
Series	39880
Application	Wire-to-Board
Component Type	One Piece
Product Literature Order No	USA-260
Product Name	Eurostyle™ Fixed Mount
Type	Euro Block

Physical

Circuits (Loaded)	3
Entry Angle	35° Angle
Flammability	94V-0
Lock to Mating Part	None
Number of Rows	1
Orientation	Vertical
PC Tail Length (in)	0.150 In
PC Tail Length (mm)	3.80 mm
PCB Retention	None
PCB Thickness Recommended (in)	0.102 In
PCB Thickness Recommended (mm)	2.60 mm
Panel Mount	No
Pitch - Mating Interface (in)	0.200 In
Pitch - Mating Interface (mm)	5.08 mm
Pitch - Term. Interface (in)	0.200 In
Pitch - Term. Interface (mm)	5.08 mm
Polarized to Mating Part	N/A
Shrouded	Fully
Stackable	Yes
Temperature Range - Operating	105°C
Wire Size AWG	12, 14, 16, 18, 20, 22, 24, 26, 28, 30
Wire Size mm²	0.05 - 2.50

Electrical

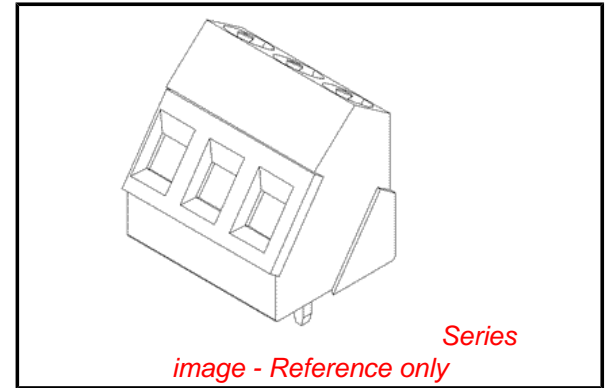
Current - Maximum per Contact	17.5A
UL	E48521
Voltage - Maximum	300V

Material Info

Old Part Number	880203
-----------------	--------

Reference - Drawing Numbers

Sales Drawing	SD-39880-004
---------------	--------------



EU RoHS

ELV and RoHS Compliant
REACH SVHC
 Not Reviewed
Halogen-Free Status

China RoHS



Not Reviewed

Need more information on product environmental compliance?

Email productcompliance@molex.com
 For a multiple part number RoHS Certificate of Compliance, [click here](#)

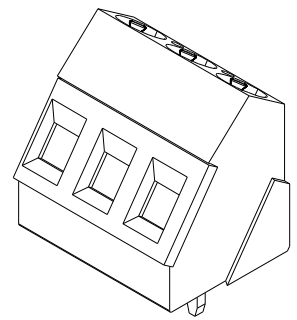
Please visit the [Contact Us](#) section for any non-product compliance questions.

Search Parts in this Series

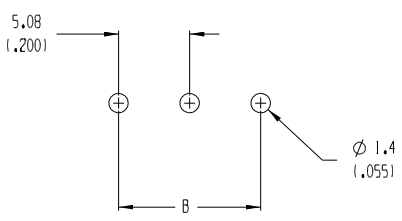
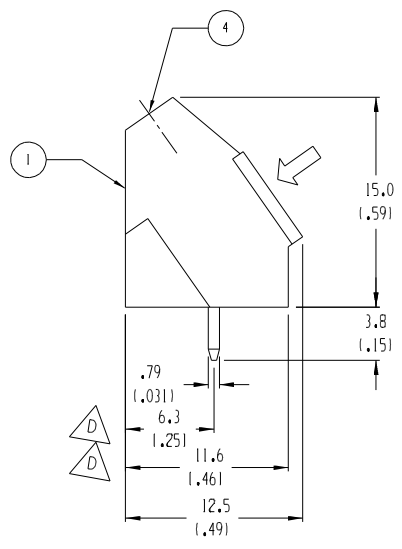
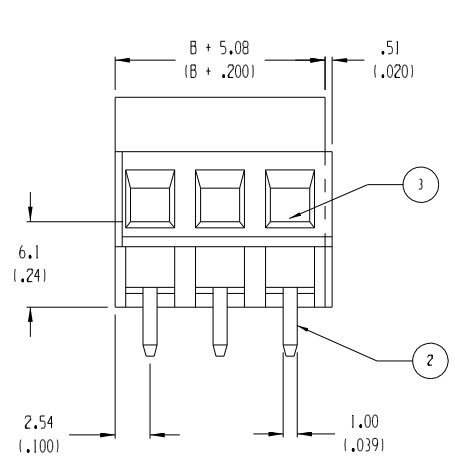
[39880Series](#)

Mates With

N/A



MATERIAL NO.	NO. OF CIRCUITS	ENG NO. (BEAU NO.)	DIM. "B"	
	"XX"		IN.	MM
39880-04XX	"XX"	8802XX		
39880-0402	02	880202	.20	5.1
39880-0403	03	880203	.40	10.2
39880-0404	04	880204	.60	15.2
39880-0405	05	880205	.80	20.3
39880-0406	06	880206	1.00	25.4
39880-0407	07	880207	1.20	30.5
39880-0408	08	880208	1.40	35.6
39880-0409	09	880209	1.60	40.6
39880-0410	10	880210	1.80	45.7
39880-0411	11	880211	2.00	50.8
39880-0412	12	880212	2.20	55.9
39880-0413	13	880213	2.40	61.0
39880-0414	14	880214	2.60	66.0
39880-0415	15	880215	2.80	71.1
39880-0416	16	880216	3.00	76.2
39880-0417	17	880217	3.20	81.3
39880-0418	18	880218	3.40	86.4
39880-0419	19	880219	3.60	91.4
39880-0420	20	880220	3.80	96.5
39880-0421	21	880221	4.00	101.6
39880-0422	22	880222	4.20	106.7
39880-0423	23	880223	4.40	111.8
39880-0424	24	880224	4.60	116.8
39880-0425	25	880225	4.80	121.9



ITEM	QTY.	DESCRIPTION	MATERIAL	FINISH
4	XX	SCREW, M3	COPPER	NICKEL
3	XX	CAGE CLAMP	COPPER	NICKEL
2	XX	TERMINAL, PC	COPPER	HOT TIN DIP
1	1	INSULATOR	POLYAMIDE	BLACK

EC NO. ECN# 3883
 DRWN: RK 10-20-04
 CH'K:
 APPR:

DESCRIPTION

MAJOR

CRITICAL

SPC

S

REV

QUALITY SYMBOLS	
MAJOR	CRITICAL
SPC	S

GENERAL TOLERANCES: (UNLESS SPECIFIED)	
mm	INCH
4 PLACES	±.0015
3 PLACES	±.038 ±.005
2 PLACES	±.13 ±.01
1 PLACE	±.3
ANGULAR: ±2°	

SCALE	
3:1	DESIGN UNITS
	<input type="checkbox"/> mm <input checked="" type="checkbox"/> INCH
DRAWN BY & DATE	
R. KEMP	6-3-02
CHECKED BY & DATE	
R. STONE	6-3-02
APPROVED BY & DATE	
P. WALTZ	6-3-02

PROJECT NO. 04-124	
DIMENSIONS:	
<input checked="" type="checkbox"/> mm	<input type="checkbox"/> INCH
<input type="checkbox"/> mm ONLY	
SHT	REV
	REVISE ON CAD ONLY

TITLE: 5.08mm EUROSTYLE MEDIUM, SINGLE ROW, 35° ANGLED ENTRY

MOLEX INCORPORATED		
MATERIAL NO.	DRAWING NO.	SHEET NO.
SEE CHART	SD-39880-004	1 OF 1

THIS DRAWING CONTAINS INFORMATION THAT IS PROPRIETARY TO MOLEX INCORPORATED AND SHOULD NOT BE USED WITHOUT WRITTEN PERMISSION.

