

PLEASE CHECK WWW.MOLEX.COM FOR LATEST PART INFORMATION

Part Number: [0875378875](#)

Status: **Active**

Description: 1.27mm (.050") Pitch EBBI™ 50D Receptacle, Through Hole, Right Angle, Blind Mate, with Beveled Metal Pin and Plastic Peg, 0.76µm (30µ") Gold (Au) Selective Plating, 68 Circuits, 2.54mm (.100") PC Tail Length, Low Profile, Leadfree

Documents:

[3D Model](#)

[Drawing \(PDF\)](#)

[RoHS Certificate of Compliance \(PDF\)](#)

General

Product Family	PCB Receptacles
Series	87537
Application	Board-to-Board
Comments	No Lubricant at the Contact Z-Height: 2.54mm (.100)
Product Name	EBBI™

Physical

Circuits (Loaded)	68
Color - Resin	Black
Durability (mating cycles max)	2,000
Glow-Wire Compliant	No
Guide to Mating Part	Yes
Lock to Mating Part	None
Material - Metal	Phosphor Bronze
Material - Plating Mating	Gold
Material - Plating Termination	Tin
Material - Resin	High Temperature Thermoplastic
Number of Rows	2
Orientation	Right Angle
PC Tail Length (in)	0.100 In
PC Tail Length (mm)	2.54 mm
PCB Locator	Yes
PCB Retention	Yes
PCB Thickness Recommended (in)	0.062 In
PCB Thickness Recommended (mm)	1.60 mm
Packaging Type	Tray
Pitch - Mating Interface (in)	0.050 In
Pitch - Mating Interface (mm)	1.27 mm
Plating min: Mating (µin)	30.4
Plating min: Mating (µm)	0.76
Plating min: Termination (µin)	101.6
Plating min: Termination (µm)	2.54
Polarized to Mating Part	Yes
Polarized to PCB	Yes
Surface Mount Compatible (SMC)	Yes
Temperature Range - Operating	-40°C to +105°C
Termination Interface: Style	Through Hole

Electrical

Current - Maximum per Contact	1A
Voltage - Maximum	30V

Solder Process Data

Duration at Max. Process Temperature (seconds)	5
--	---

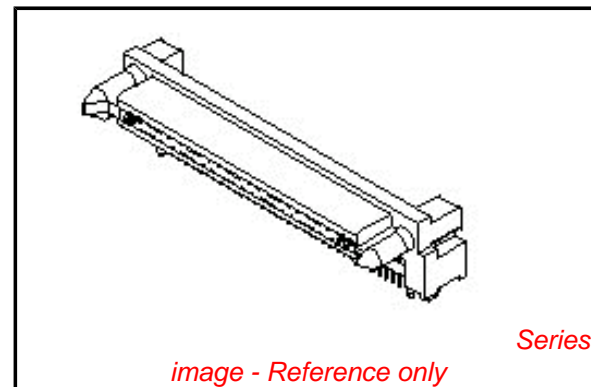


image - Reference only

EU RoHS

ELV and RoHS Compliant
REACH SVHC Contains SVHC: No
Halogen-Free Status

China RoHS



Not Reviewed

Need more information on product environmental compliance?

Email productcompliance@molex.com
For a multiple part number RoHS Certificate of Compliance, [click here](#)

Please visit the [Contact Us](#) section for any non-product compliance questions.

Search Parts in this Series

[87537Series](#)

Mates With

[71661 EBBI™ Right Angle Blind Mate Plug](#),
[EBBI™ Vertical Blind Mate Plug](#)

Lead-free Process Capability	SMC & Wave Capable (TH only)
Max. Cycles at Max. Process Temperature	1
Process Temperature max. C	265

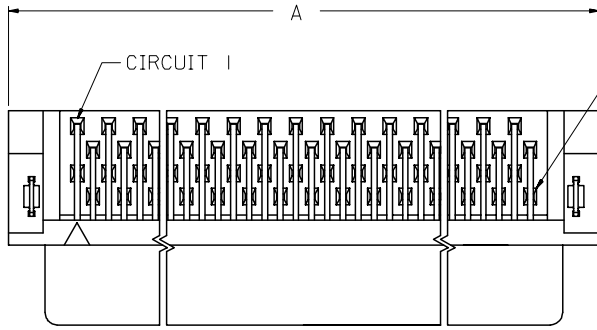
Material Info

Reference - Drawing Numbers

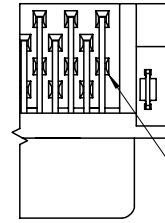
Sales Drawing	SD-87537-030
---------------	--------------

This document was generated on 03/18/2010

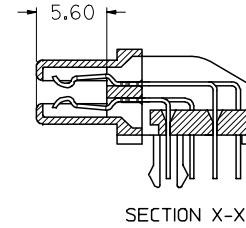
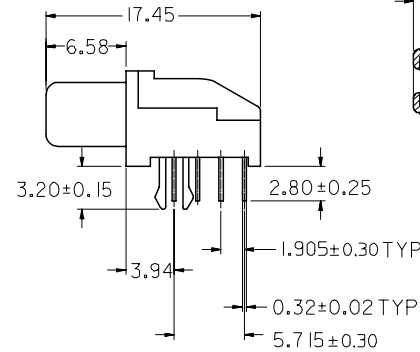
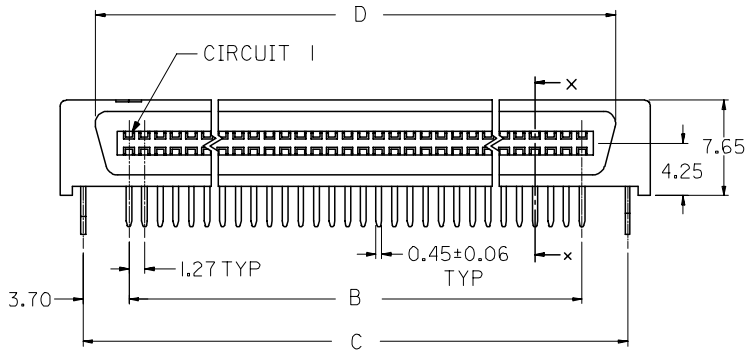
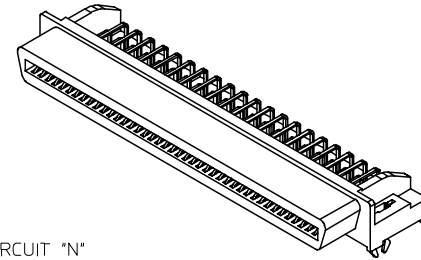
PLEASE CHECK WWW.MOLEX.COM FOR LATEST PART INFORMATION



FOR CIRCUIT SIZES 68 AND 80 ONLY



FOR CIRCUIT SIZE 50 ONLY



NOTES:

1. MATERIAL: HOUSING -- HIGH TEMP. THERMOPLASTIC, UL94-V0
TERMINALS -- COPPER ALLOY
2. PLATING:
 2A 0.75µM MIN. GOLD IN SELECTIVE CONTACT AREA AND
 2.5µM MIN. TIN IN SOLDER TAIL AREA, BOTH
 OVER 1.27µM MIN. NICKEL.
3. ASSEMBLY MATES WITH MOLEX P/N 71661-****.
4. RECOMMENDED P.C. BOARD THICKNESS IS 1.60MM.
5. PRODUCT SPEC. NO.: PS-87552-006
6. SEE TABLE ON SHEET 2 FOR ASSEMBLY PART NUMBERS.

REVISED	DESCRIPTION
EC NO: S2008-0347	2007/11/12
DRWN:SKANG	2007/11/12
CHKD:ATSEE	2007/11/12
APPR:MLONG	2007/11/14
H3	REV

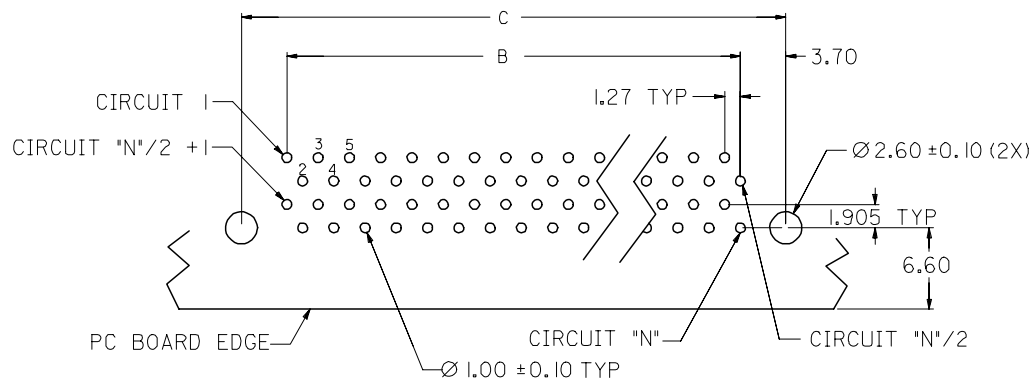
QUALITY SYMBOLS
▽=0
▽C=0

GENERAL TOLERANCES (UNLESS SPECIFIED)	mm	INCH
4 PLACES	± ---	± ---
3 PLACES	± ---	± ---
2 PLACES	± 0.3	± ---
1 PLACE	± ---	± ---
ANGULAR ± 3 °		
DRAFT WHERE APPLICABLE MUST REMAIN WITHIN DIMENSIONS		

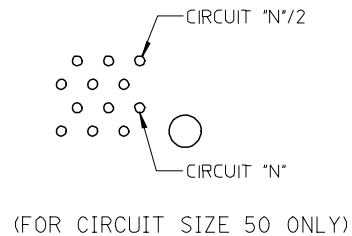
DIMENSION STYLE		SCALE	DESIGN UNITS	THIRD ANGLE PROJECTION
MM ONLY		NTS	METRIC	
DRAWN BY	DATE	TITLE		
DS0H	1997/04/01	EBBI, 1.27MM PITCH RECEPTACLE, R/A		
CHECKED BY	DATE			
KCLING	1997/05/06			
APPROVED BY	DATE			
SKT0H	1997/05/08			
MATERIAL NO.		DOCUMENT NO.	SHEET NO.	
		SD-87552-007	1 OF 2	
SIZE	THIS DRAWING CONTAINS INFORMATION THAT IS PROPRIETARY TO MOLEX INCORPORATED AND SHOULD NOT BE USED WITHOUT WRITTEN PERMISSION			
A3				

DRAWN BY		DATE	TITLE	
DS0H		1997/04/01	EBBI, 1.27MM PITCH RECEPTACLE, R/A	
CHECKED BY		DATE		
KCLING		1997/05/06		
APPROVED BY		DATE		
SKT0H		1997/05/08		
MATERIAL NO.		DOCUMENT NO.	SHEET NO.	
		SD-87552-007	1 OF 2	
SIZE	THIS DRAWING CONTAINS INFORMATION THAT IS PROPRIETARY TO MOLEX INCORPORATED AND SHOULD NOT BE USED WITHOUT WRITTEN PERMISSION			
A3				

	10	9	8	7	6	5	4	3	2	1
	D	C	B	A	CKT SIZE	ASSEMBLY PART NUMBER				
F	36.02	37.88	30.48	41.70	50	87552-0507				
	47.45	49.31	41.91	53.13	68	87552-0687				
	55.07	56.93	49.53	60.75	80	87552-0807				



RECOMMENDED PC BOARD LAYOUT COMPONENT SIDE (FOR CIRCUIT SIZES 68 AND 80 ONLY)



REVISED	EC NO: S2008-0347	2007/11/12	2007/11/14
DRWN:SKANG	CHKD:ATSEE	2007/11/12	2007/11/14
APPR:MLONG			
REV	DESCRIPTION		
H3			

QUALITY SYMBOLS	$\nabla = 0$
	$\nabla C = 0$

GENERAL TOLERANCES (UNLESS SPECIFIED)	
	mm INCH
4 PLACES	\pm --- \pm ---
3 PLACES	\pm --- \pm ---
2 PLACES	± 0.3 \pm ---
1 PLACE	\pm --- \pm ---
ANGULAR $\pm 3^\circ$	
DRAFT WHERE APPLICABLE MUST REMAIN WITHIN DIMENSIONS	

DIMENSION STYLE MM ONLY	
DRAWN BY	DATE
DS0H	1997/04/01
CHECKED BY	DATE
KCLING	1997/05/06
APPROVED BY	DATE
SKT0H	1997/05/08
MATERIAL NO.	
SEE TABLE	

SCALE NTS	DESIGN UNITS METRIC	THIRD ANGLE PROJECTION
TITLE		
EBBI, 1.27MM PITCH RECEPTACLE, R/A		
MOLEX INCORPORATED		
DOCUMENT NO.	SHEET NO.	
SD-87552-007	2 OF 2	
THIS DRAWING CONTAINS INFORMATION THAT IS PROPRIETARY TO MOLEX INCORPORATED AND SHOULD NOT BE USED WITHOUT WRITTEN PERMISSION		