

## ST-3100 Series PCB Mount 3.5mm Audio Jack

### Features



- Audio Applications for Computers and Multimedia
- Can Be Used To Activate Speakers, an Equalizer or to Configure the Audio Signal
- Available with Up to One Double-Pole Single-Throw Switch and One Double-Pole Double-Throw Switch in One Audio Jack
- CSA/NRTL Certified File No. LR78160

### Performance Specifications

#### Materials and Finish

##### Audio Jack

Plastic Housing: PBT Thermoplastic, Black Color UL94V-0 Rated  
 Bushing: Copper Alloy, Nickel Plated  
 Sleeve: SPCC, Nickel Plated  
 Sleeve Spring: Phosphor Bronze  
 TIP and Ring: P.B.S., Tin Plated  
 N.C. Terminals: Copper Alloy, Tin Plated



##### Switch

Housing: PBT Thermoplastic, Black Color, UL94V-0 Rated  
 Clip Housing: Polyacetal  
 Cover: PC/PBT  
 Terminals: Brass Silver Plated  
 Clip: P.B.S.  
 Switch Spring: SWP Steel

### Mechanical Characteristics

#### Insertion Force

0.4kg - 2.0 kg

#### Extraction Force

0.3kg - 2.0kg

#### Durability

5000 Mating Cycles

## AUDIO JACKS

### ST-3100 Series

### Electrical Characteristics

#### Contact Rating

DC 16V at 0.3 Amps

#### Contact Resistance

*Before Durability Test*

To Terminals: 30 Milliohms Max.

To Sleeve: 50 Milliohms Max.

*After Durability Test*

To Terminals: 60 Milliohms Max.

To Sleeve: 100 Milliohms Max.

#### Insulation Resistance

100 Megohms Min. at 250V DC

#### Dielectric Strength

250V AC RMS for 1 Minute

#### Operating Temperature

-25°C to +80°C

### Ordering Information

ST-3100	-	3	N	B
Series		Number of Pins	Threading Option	Back Plate Options

#### Series

ST-3100 - 3.5mm Audio Jacks

#### Number of Pins

3 - 3 Pins - Audio Jack, No Switch

5 - 5 Pins - One Double-Pole Single-Throw Switch

9 - 9 Pins - One Double-Pole Double-Throw Switch

11 - 11 Pins - One Double-Pole Single-Throw Switch/One Double-Pole Double-Throw Switch

#### Threading Option

C - Threaded

N - Non Threaded

#### Back Plate Option (3 & 5 pin only)

Blank - No Back Plate

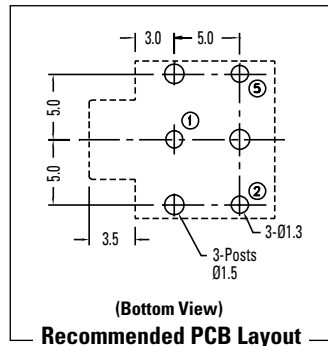
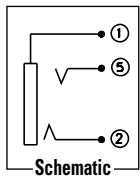
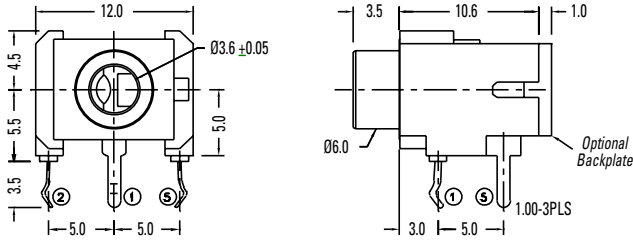
B - With Back Plate

**ST-3100 Series Dimensions**

Dimensions in mm

**ST-3100-3N**

(3 Pins, Non-Threaded)

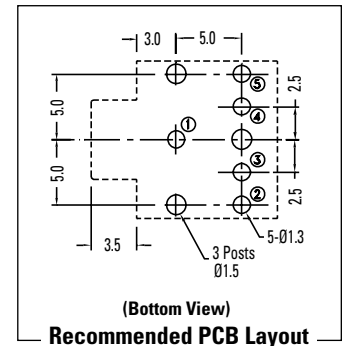
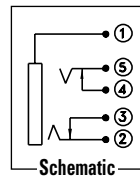
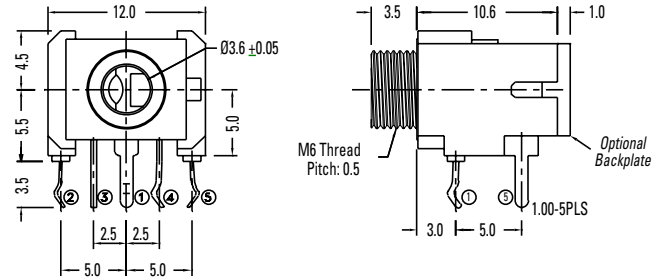


**ST-3100 Series Dimensions**

Dimensions in mm

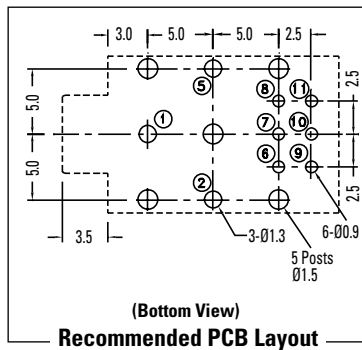
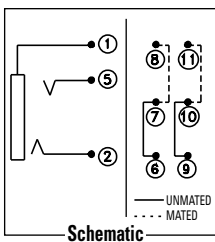
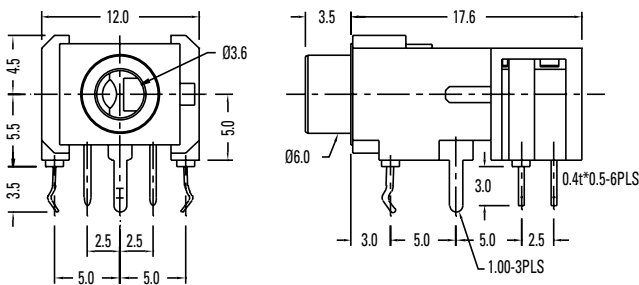
**ST-3100-5C**

(5 Pins, Threaded)



**ST-3100-9N**

(9 Pins, Non-Threaded)



**ST-3100-11C**

(11 Pins, Threaded)

