

5x8 dots

DM2423

(24 Characters × 2 Lines) 1/16 Duty

SANYO SEMICONDUCTOR CORP

Absolute maximum ratings

Parameter	Symbol	min.	max.	unit
Logic supply voltage	$V_{DD} - V_{SS}$	-0.3	7.0	V
LCD supply voltage	$V_{DD} - V_O$	-0.3	13.5	V
Input voltage	V_i	-0.3	$V_{DD} + 0.3$	V
Operating temperature	T_{OPR}	0	+50	°C
Storage temperature	T_{STG}	-20	+70	°C

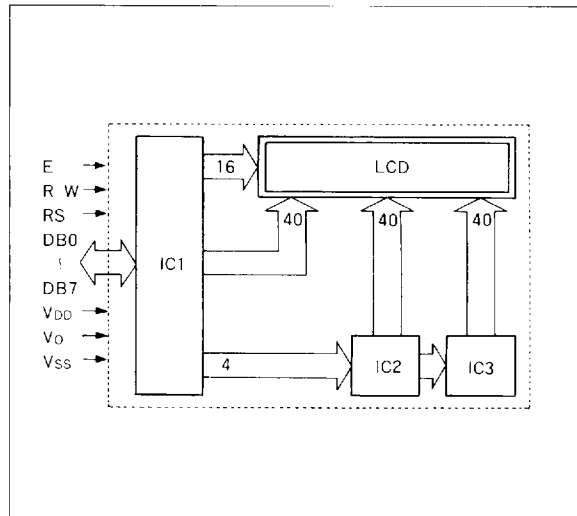
Electrical characteristics (Ta=25°C, VDD=5.0±0.25V)

Parameter	Symbol	Condition	min.	typ.	max.	unit
Input high-level voltage	V_{IH}	—	2.2	—	V_{DD}	V
Input low-level voltage	V_{IL}	—	0	—	0.6	V
Output high-level voltage	V_{OH}	$-I_{OH} = 0.2mA$	2.4	—	V_{DD}	V
Output low-level voltage	V_{OL}	$I_{OL} = 1.2mA$	0	—	0.4	V
Supply current	I_{DD}	—	—	1.5	3.0	mA

Pin function

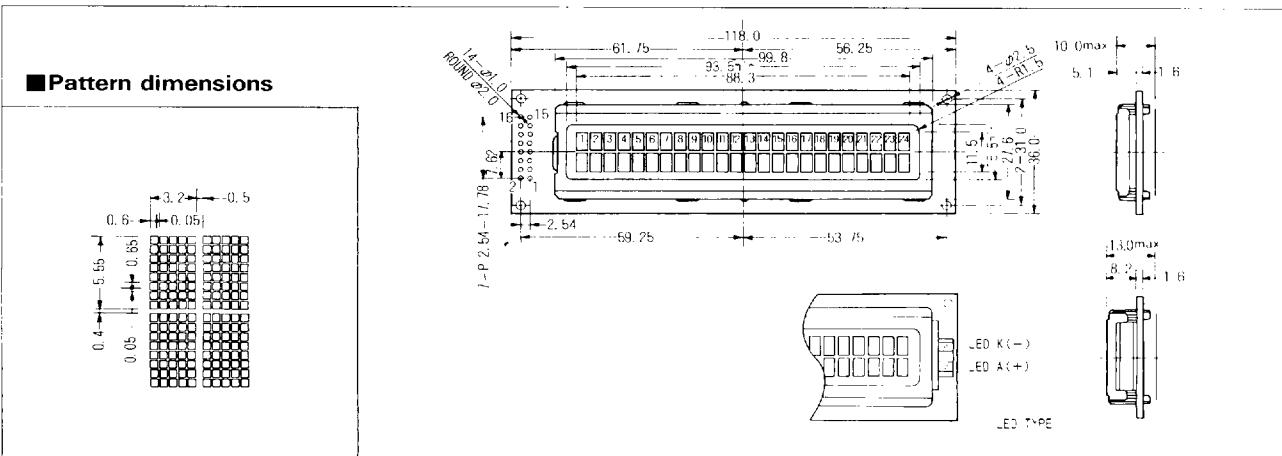
No	Symbol	Function
1	V_{SS}	Gnd pin, 0V
2	V_{DD}	Positive power pin, +5V
3	V_O	LCD drive voltage input pin
4	RS	Data/instruction select input pin
5	R/W	Read/write select input pin
6	E	Enable input pin
7	DB 0	Data bus line (Lower 4 bits)
8	DB 1	
9	DB 2	
10	DB 3	
11	DB 4	Data bus line (Upper 4 bits)
12	DB 5	*When interface data is 4 bits
13	DB 6	long, data is transferred
14	DB 7	using only 4 buses of DB4 to DB7.
15	NC	(LED A:anode positive power pin)
16	NC	(LED K:cathode negative power pin)

Block diagram



Module dimensions

(unit : mm)



Character type DM series