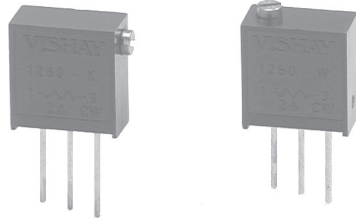


## Bulk Metal<sup>®</sup> Foil Technology Precision Trimming Potentiometers 3/8 Inch Square, RJ24 Style - Industrial Trimmer



Product may not  
be to scale

### FEATURES

- Temperature Coefficient of Resistance (TCR):  
± 20ppm/°C Max<sup>2</sup>. (– 55°C to + 150°C Ref. @ 25°C);  
Through the wiper<sup>3</sup>; ± 50ppm/°C
- Load Life Stability: 0.1% Typical ΔR, 1.0% Maximum  
ΔR under Full Rated Power @ + 85°C for 1000 Hours
- Settability: 0.1%
- Setting Stability: 0.1% Typical<sup>1</sup>; 0.5% Maximum<sup>1</sup>, ΔSS
- Power Rating<sup>4</sup>: 0.25 watts @ + 85°C
- Resistance Range: 20Ω to 5KΩ
- Resistance Tolerance: ± 10%

TABLE 1 - MODEL SELECTION *						
MODEL	TERMINATION STYLE	AVERAGE WEIGHT (g)	STANDARD RESISTANCE VALUES (in Ω)	STANDARD TOLERANCES	POWER RATING @ + 85°C AMBIENT	NO. OF TURNS
1268	W-Edge Mount, Top Adjust	0.4	20, 50, 100, 200, 500, 1K 2K, 5K	± 10%	0.25W	21 ± 2
	X-Edge Mount, Side Adjust					

\*See Figure 1, next page.

### NOTES:

1. Maximum is 1.0% A.Q.L. standard for all specifications except TCR. (For TCR information see notes 2 and 3). "Typical" is a designers reference which represents that 85% of the lots supplied, over a long period of time, will be at least the figure stated or better.
2. Maximum TCR applies to the 3 σ (sigma) limit or 99.73% of a production lot. (Measured end-to-end with wiper off the element.)
3. Measurements of TCR through the wiper are influenced more by setting stability and the percentage of the total resistance in use (at the wiper) than by fundamental resistance change due to temperature alone. The parameter shown is a 2 σ distribution typifying the behavior of the device when used with 40% or more of the total resistance in use.
4. Derated linearly from full power @ + 85°C to zero (0) watts @ + 150°C. See Figure 2, next page.
5. Independent of resistance value 3 ohms maximum available on special request.  
Special Available Options: Special marking  
Burn-in and screening operations

### ADDITIONAL SPECIFICATIONS:

- Contact Resistance Variation – CRV (noise): 10 ohms Maximum<sup>5</sup>
- Hop-off: 0.25% Typical; 1.0% Maximum
- Operating Temperature Range: – 55°C to + 150°C
- Adjustment Turns: 21 ± 2
- Mechanical Stops: Wiper Idles – No Discontinuity

**TABLE 2 - ORDERING INFORMATION - 1268 SERIES PARTS**

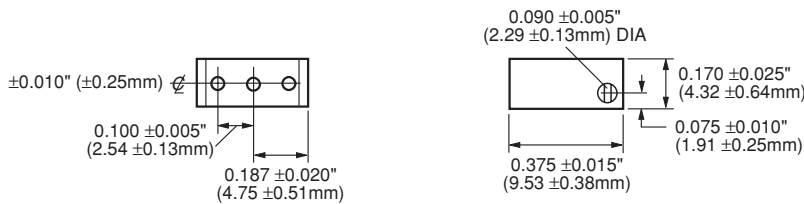
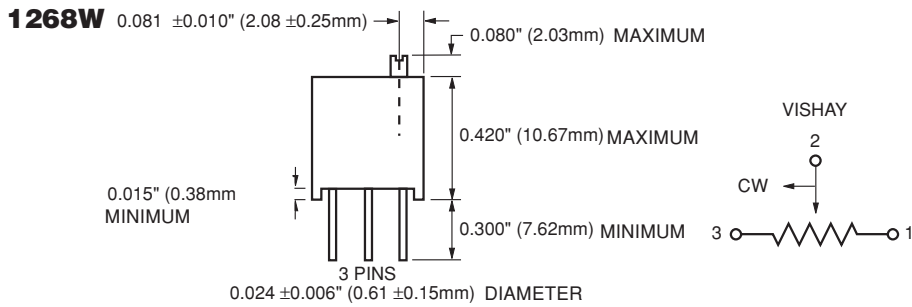
Please specify Vishay Model 1268 Precision Trimming Potentiometers as follows:

Example:

<b>1268</b>	<b>W</b>	<b>100R</b>	<b>10%</b>
MODEL NO.	TERMINATION STYLE	RESISTANCE VALUE	TOLERANCE

See Table 1 for details. See Figure 1, next page for Standard Marking.

**FIGURE 1 - SCHEMATIC AND DIMENSIONS** in inches (millimeters)

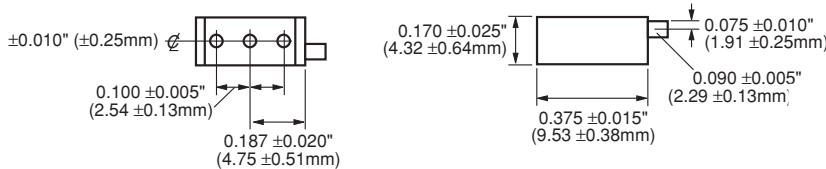
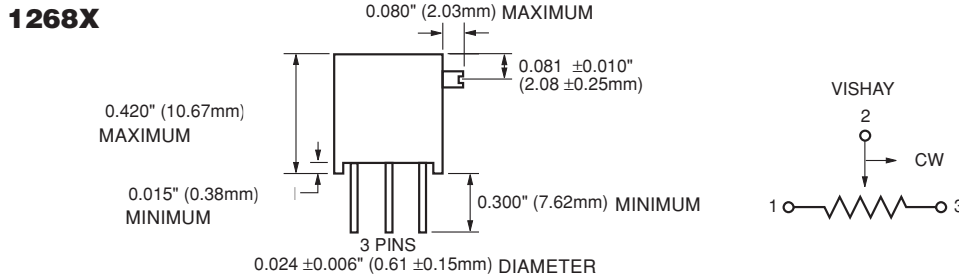


**STANDARD MARKING**

Model No.  
Date Code  
Resistance Value  
Tolerance

**NOTES**

Adjustment screw 0.090 Inches (2.30mm) diameter with 0.020 Inches (0.51mm) x 0.031 Inches (0.80mm) slot. Model 1268 has solder plated copper terminal pins. 0.024 Inches (0.61mm) diameter, 0.300 Inches (7.62mm) length minimum.



**FIGURE 2 - POWER DERATING CURVE**

