

PLEASE CHECK WWW.MOLEX.COM FOR LATEST PART INFORMATION

Part Number: [0352700111](#)
Status: **Active**
Description: 6.00mm (.236") Tab Wire-to-Wire Receptacle Housing, Secondary Lock, Right style, 1 Circuit

Documents:

[Drawing \(PDF\)](#) [RoHS Certificate of Compliance \(PDF\)](#)
[Product Specification PS-35270-001 \(PDF\)](#)

General

Product Family	Crimp Housings
Series	35270
Product Name	N/A

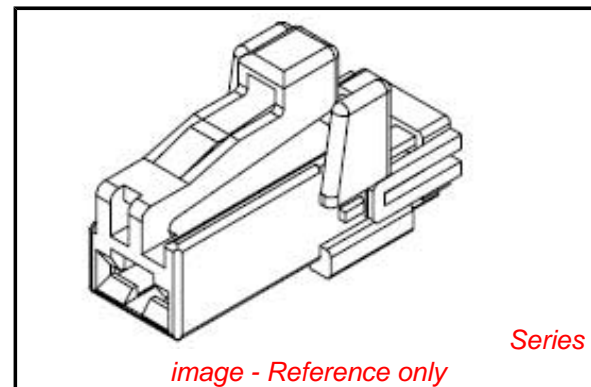
Physical

Circuits (maximum)	1
Color - Resin	Black, Natural
Gender	Female
Glow-Wire Compliant	No
Lock to Mating Part	None
Material - Resin	Polyester
Number of Rows	1
Packaging Type	Bag
Panel Mount	No
Pitch - Mating Interface (in)	0.000 In
Pitch - Mating Interface (mm)	0.00 mm
Stackable	No
Temperature Range - Operating	-40°C to +80°C

Material Info

Reference - Drawing Numbers

Product Specification	PS-35270-001
Sales Drawing	SD-35270-0111



EU RoHS

ELV and RoHS Compliant
REACH SVHC
 Not Reviewed
Halogen-Free Status

China RoHS



Need more information on product environmental compliance?

Email productcompliance@molex.com
 For a multiple part number RoHS Certificate of Compliance, [click here](#)

Please visit the [Contact Us](#) section for any non-product compliance questions.

Search Parts in this Series
[35270Series](#)

Mates With
[35272 Housing](#)

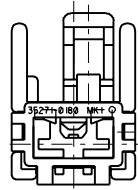
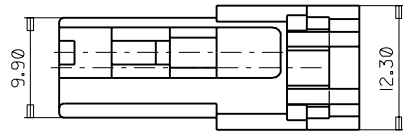
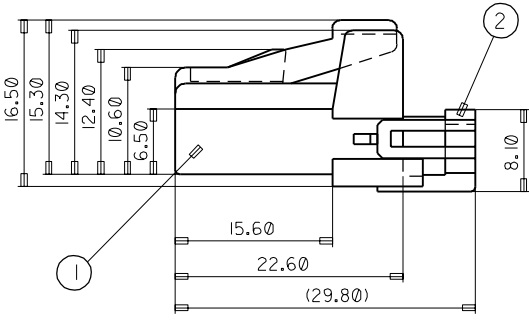
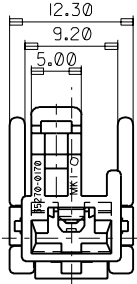
Use With
[35427](#) for 20A, [35430](#) for 30A

ENG. NO. SD 35270-0111

EDP NO.

SIMILAR ITEM

PROJECT NO.



	P/NO.	PART NAME	MATERIAL
①	35270-0171	POWERMATE FEMALE HS'G IP (RIGHT)	PBT
②	35271-0180	POWERMATE FEMALE TPA IP	PBT

* APPLICABLE TERMINAL : 35427-97**,98**,99**
35430-1700,1800,1900

			MATERIAL SEE TABLE		MOLEX-KOREA CO.,LTD.	
			GENERAL TOLERANCE DIMENSION : *0.20		DRAWN BY 961114 J.K.OH	
			ANGLE :		CHK'D BY	
			DIMENSION CLASSIFICATION		APP'D BY	
			▽ : CRITICAL ▼ : MAJOR		SCALE 2 : 1	
			() : REFERENCE		TITLE: POWERMATE FEMALE ASSY	
A NEW RELEASE			971114		- IP(RIGHT)	
LTR REVISION RECORD			ECN DATE		SHEET 1/1	
REVISE ONLY ON CAD SYSTEM					ENG. NO. SD 35270-0111	
					REV A	