

**Type: AS737D**

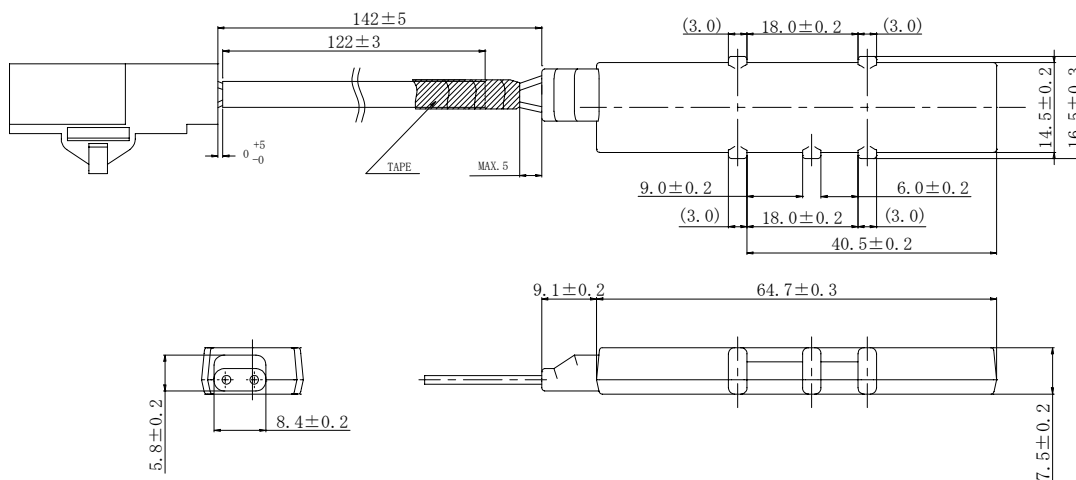
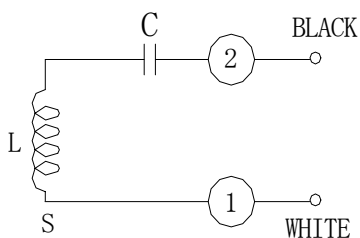
Tokai Rika USE ONLY

**◆ Product Description**

- 65.0×16.8mm Max.(L×W),7.7mm Max. Height.
- Operating temperature: -40°C~+85°C.

**◆ Feature**

- LF transponder Transmitter antenna.
- Ideally used in keyless smart entry system.
- RoHS Compliance.

**◆ Dimensions (mm)**

**◆ Schematics(Bottom)**


“S” is winding start.

**◆ Specification**

	(1-2)	MEASURING CONDITIONS
Resonant frequency range	132.0kHz±1.0kHz WITHIN	at 25°C
Resonant Current	1.0±0.05Ap-p	132.0kHz (at 25°C)