

Dual / Triple / Quad TTL & FAST Delay Modules

Auto-insertable DIP (through-hole)
 14 Pin AI3D-XX, FAI3D-XX
 14 Pin AI4D-XX, FAI4D-XX
 8 Pin AM2D-XX, FAM2D-XX
 8 Pin AM3D-XX, FAM3D-XX

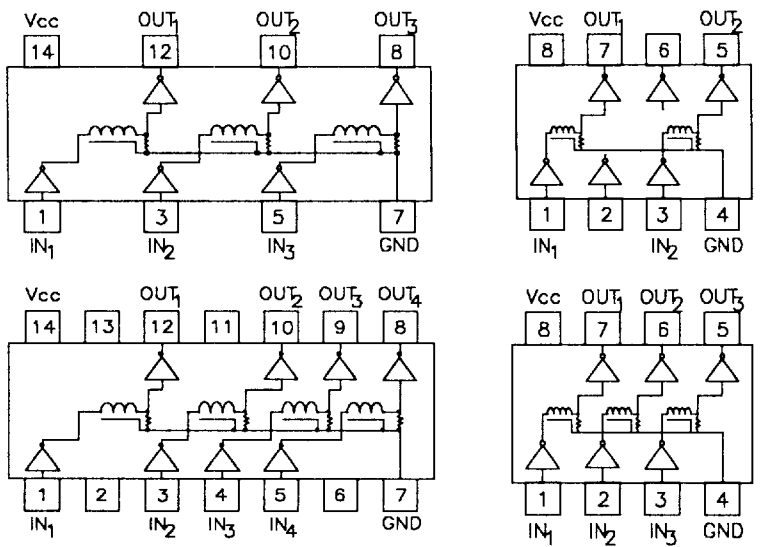
Gullwing Style Surface Mount
 14 Pin AI3D-XXG, FAI3D-XXG
 14 Pin AI4D-XXG, FAI4D-XXG
 8 Pin AM2D-XXG, FAM2D-XXG
 8 Pin AM3D-XXG, FAM3D-XXG

"J" Bend Style Surface Mount
 14 Pin AI3D-XXJ, FAI3D-XXJ
 14 Pin AI4D-XXJ, FAI4D-XXJ
 8 Pin AM2D-XXJ, FAM2D-XXJ
 8 Pin AM3D-XXJ, FAM3D-XXJ

Electrical Specifications at 25°C

Delay Tolerance (ns)	TTL Buffered - Independent Duals / Triples / Quads				FAST Buffered - Independent Duals / Triples / Quads			
	Dual 8 Pin P/N	Triple 8 Pin P/N	Triple 14 Pin P/N	Quadruple 14 Pin P/N	Dual 8 Pin P/N	Triple 8 Pin P/N	Triple 14 Pin P/N	Quadruple 14 Pin P/N
4 ± 1.00	-----	-----	-----	-----	FAM2D-4	FAM3D-4	FAI3D-4	FAI4D-4
5 ± 1.00	AM2D-5	AM3D-5	AI3D-5	AI4D-5	FAM2D-5	FAM3D-5	FAI3D-5	FAI4D-5
6 ± 1.00	AM2D-6	AM3D-6	AI3D-6	AI4D-6	FAM2D-6	FAM3D-6	FAI3D-6	FAI4D-6
7 ± 1.00	AM2D-7	AM3D-7	AI3D-7	AI4D-7	FAM2D-7	FAM3D-7	FAI3D-7	FAI4D-7
8 ± 1.00	AM2D-8	AM3D-8	AI3D-8	AI4D-8	FAM2D-8	FAM3D-8	FAI3D-8	FAI4D-8
9 ± 1.00	AM2D-9	AM3D-9	AI3D-9	AI4D-9	FAM2D-9	FAM3D-9	FAI3D-9	FAI4D-9
10 ± 1.50	AM2D-10	AM3D-10	AI3D-10	AI4D-10	FAM2D-10	FAM3D-10	FAI3D-10	FAI4D-10
11 ± 1.50	AM2D-11	AM3D-11	AI3D-11	AI4D-11	FAM2D-11	FAM3D-11	FAI3D-11	FAI4D-11
12 ± 1.50	AM2D-12	AM3D-12	AI3D-12	AI4D-12	FAM2D-12	FAM3D-12	FAI3D-12	FAI4D-12
13 ± 1.50	AM2D-13	AM3D-13	AI3D-13	AI4D-13	FAM2D-13	FAM3D-13	FAI3D-13	FAI4D-13
14 ± 1.50	AM2D-14	AM3D-14	AI3D-14	AI4D-14	FAM2D-14	FAM3D-14	FAI3D-14	FAI4D-14
15 ± 2.00	AM2D-15	AM3D-15	AI3D-15	AI4D-15	FAM2D-15	FAM3D-15	FAI3D-15	FAI4D-15
16 ± 2.00	AM2D-16	AM3D-16	AI3D-16	AI4D-16	FAM2D-16	FAM3D-16	FAI3D-16	FAI4D-16
20 ± 2.00	AM2D-20	AM3D-20	AI3D-20	AI4D-20	FAM2D-20	FAM3D-20	FAI3D-20	FAI4D-20
22 ± 2.00	AM2D-22	AM3D-22	AI3D-22	AI4D-22	FAM2D-22	FAM3D-22	FAI3D-22	FAI4D-22
25 ± 2.00	AM2D-25	AM3D-25	AI3D-25	AI4D-25	FAM2D-25	FAM3D-25	FAI3D-25	FAI4D-25
30 ± 2.00	AM2D-30	AM3D-30	AI3D-30	AI4D-30	FAM2D-30	FAM3D-30	FAI3D-30	FAI4D-30
35 ± 2.00	AM2D-35	AM3D-35	AI3D-35	AI4D-35	FAM2D-35	FAM3D-35	FAI3D-35	FAI4D-35
40 ± 2.00	AM2D-40	AM3D-40	AI3D-40	AI4D-40	FAM2D-40	FAM3D-40	FAI3D-40	FAI4D-40
45 ± 2.25	AM2D-45	AM3D-45	AI3D-45	AI4D-45	FAM2D-45	FAM3D-45	FAI3D-45	FAI4D-45
50 ± 2.50	AM2D-50	AM3D-50	AI3D-50	AI4D-50	FAM2D-50	FAM3D-50	FAI3D-50	FAI4D-50
55 ± 2.75	AM2D-55	AM3D-55	AI3D-55	AI4D-55	FAM2D-55	FAM3D-55	FAI3D-55	FAI4D-55
60 ± 3.00	AM2D-60	AM3D-60	AI3D-60	AI4D-60	FAM2D-60	FAM3D-60	FAI3D-60	FAI4D-60
75 ± 3.75	AM2D-75	AM3D-75	AI3D-75	AI4D-75	FAM2D-75	FAM3D-75	FAI3D-75	FAI4D-75
80 ± 4.00	AM2D-80	AM3D-80	AI3D-80	AI4D-80	FAM2D-80	FAM3D-80	FAI3D-80	FAI4D-80
100 ± 5.00	AM2D-100	AM3D-100	AI3D-100	AI4D-100	FAM2D-100	FAM3D-100	FAI3D-100	FAI4D-100

Schematic Diagrams



GENERAL: For Operating Specifications and Test Conditions, see Tables I and VII on page 7 of this catalog. Delays Specified for the Leading Edge.

Minimum Input Pulse Width 100% of total delay
 Temperature Coefficient 800ppm/°C typical
 Supply Current, I_{cc} :
 AI3D, AM3D 60 mA typ., 120 mA max.
 FAI3D, FAI3D 45 mA typ., 95 mA max.
 AM2D 52 mA typ., 85 mA max.
 FAM2D 32 mA typ., 65 mA max.
 AI4D 105 mA typ., 150 mA max.
 FAI4D 65 mA typ., 130 mA max.

PHYSICAL DIMENSIONS:
 8 Pin DIP & SMD G or J See Page 16
 14 Pin DIP & SMD G or J See Page 16

AI3D & FAI3D will have unused pins removed as per schematic diagram.

VARIATIONS AVAILABLE. FOR INTERMEDIATE VALUES AND/OR CUSTOM DESIGNS PLEASE CONSULT THE FACTORY.

Specifications subject to change without notice.

AJ3D-7/93



15801 Chemical Lane,
 Huntington Beach, CA 92649-1595
 Phone: (714) 898-0960 • FAX: (714) 896-0971