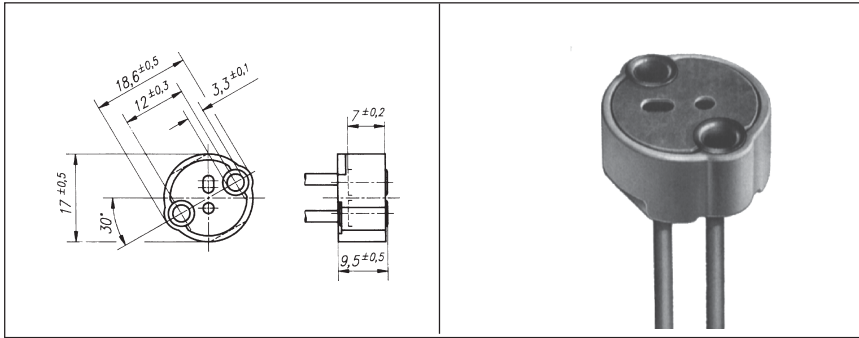
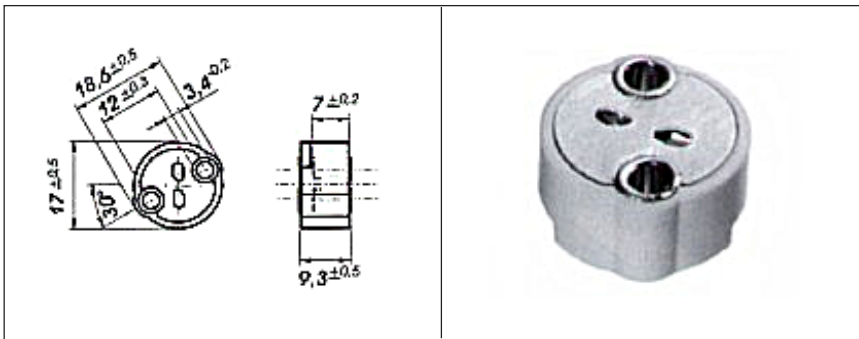


5.3mm Base Lampholders



H989

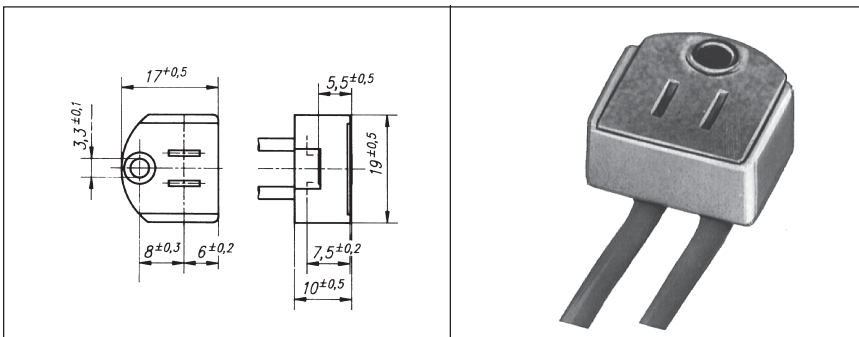
Lamp Base	GX5.3 (MR-16) G5.3-1.5 G5.3 G3.9
Holder	Ceramic
Maximum Ratings	50 Volts 12.5 Amps 230 °C
Wire	18 AWG Stranded Teflon Insulation 140mm Wire Length
H989-M3	M-3 Threaded Mounting Inserts
H989-M3-395	M-3 Threaded Mounting Inserts 395mm Wire Length



HX814

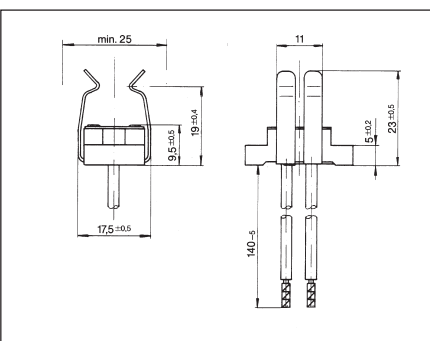
** REPLACES HX873 **

Lamp Base	Universal G-4, GZ4, GX5.3, G6.35, GY6.35, GZ6.35
Holder	Ceramic
Maximum Ratings	24 Volts 10 Amps 230 °C



H885

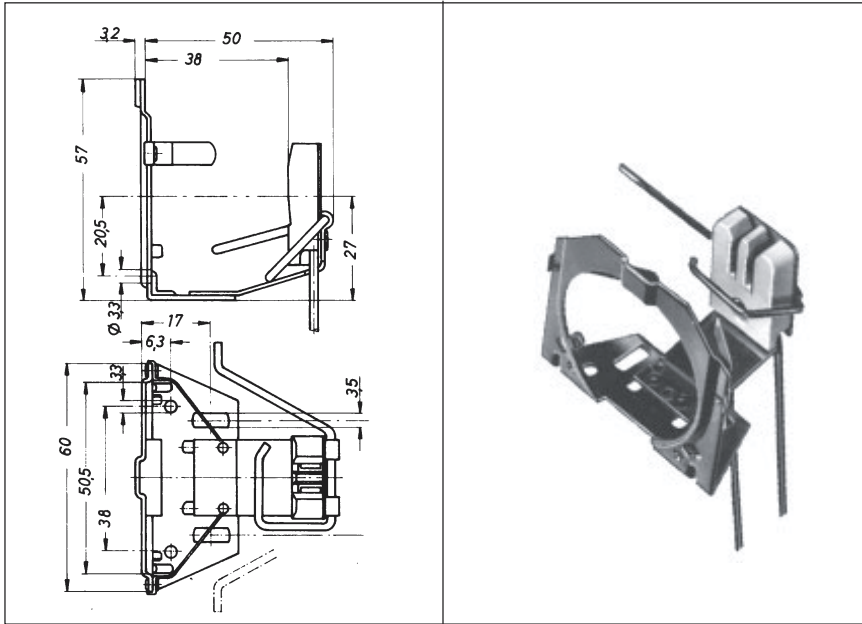
Lamp Base	G5.3-4.8
Holder	Ceramic
Maximum Ratings	50 Volts 10 Amps 230 °C
Wire	18 AWG Stranded Silicone Insulation 140mm Wire Length



H850

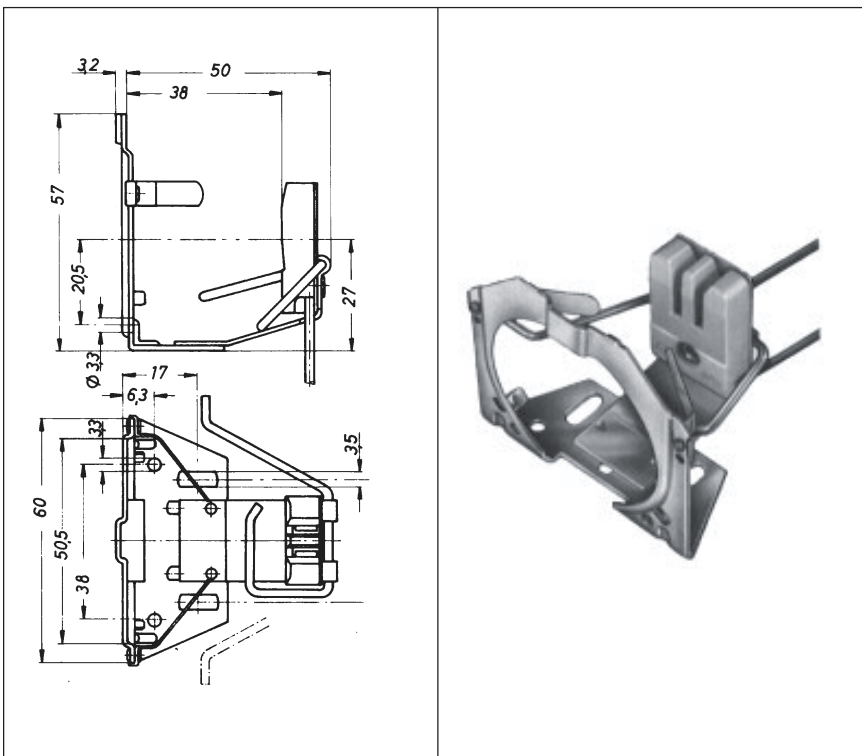
Lamp Base	GU5.3
Holder	Ceramic
Maximum Ratings	250 Volts 12.5 Amps 250 °C
Wire	18 AWG Stranded White Teflon Insulation 140mm Wire Length Terminated with round clips.

5.3mm Base Lampholders



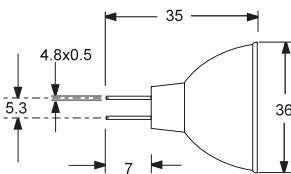
H706

Lamp Base	GX5.3 (MR-16) GX5.3-1.5
Holder	Ceramic/Metal
Maximum Ratings	250 Volts 12 Amps 230°C
Wire	18 AWG Stranded Silicone Insulation 130mm Wire Length

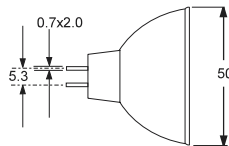


H867

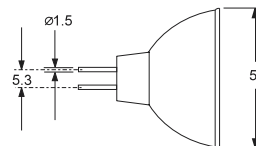
Lamp Base	GY5.3
Holder	Ceramic
Maximum Ratings	250 Volts 10 Amps 230°C
Wire	18 AWG Stranded Silicone Insulation 130mm Wire Length



G5.3-4.8 lamp base dimensions



GY5.3 lamp base dimensions



GX5.3(MR-16) and G5.3-1.5 lamp base dimensions